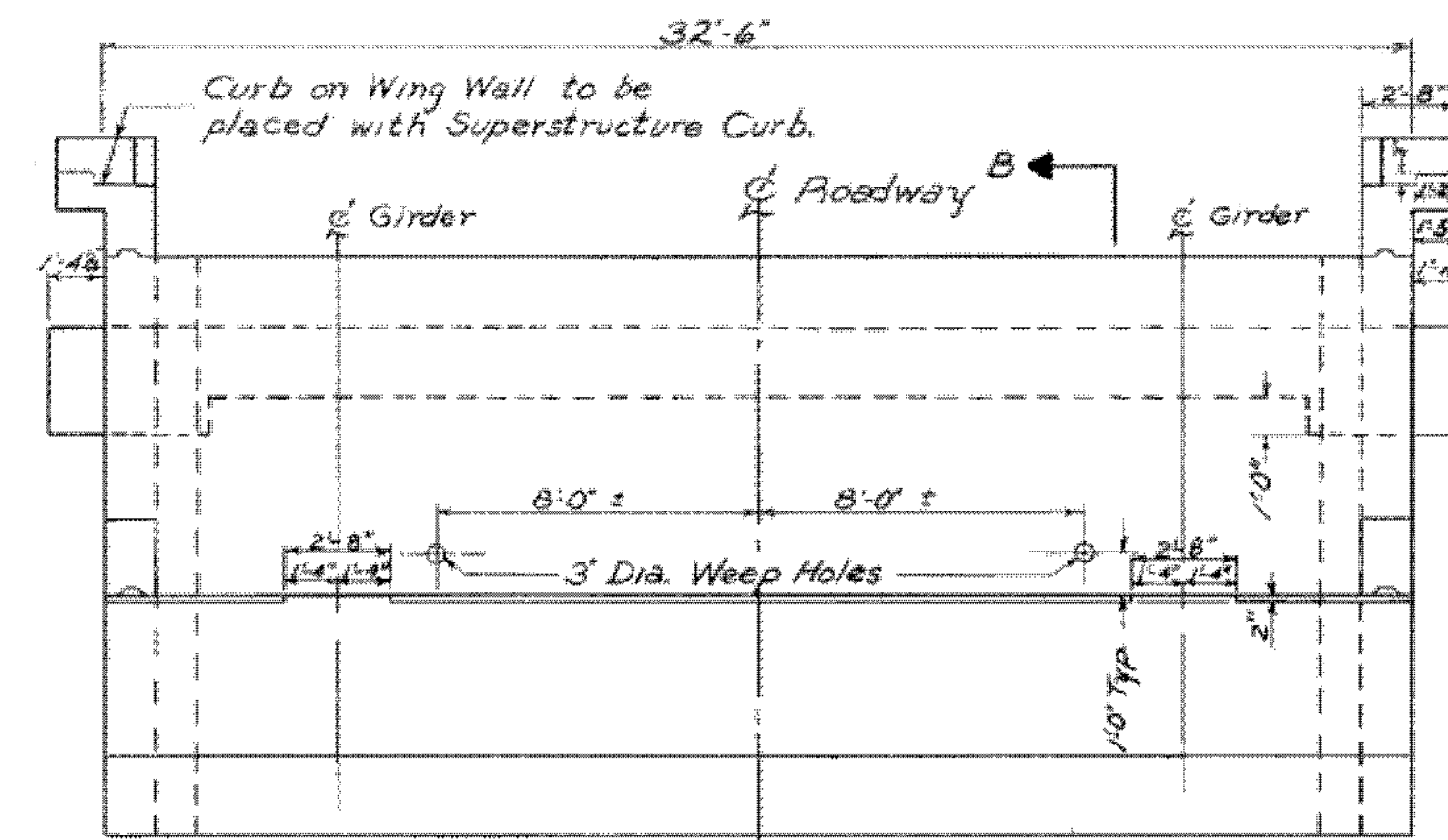
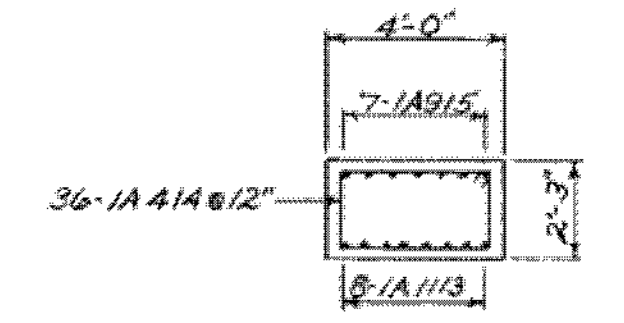


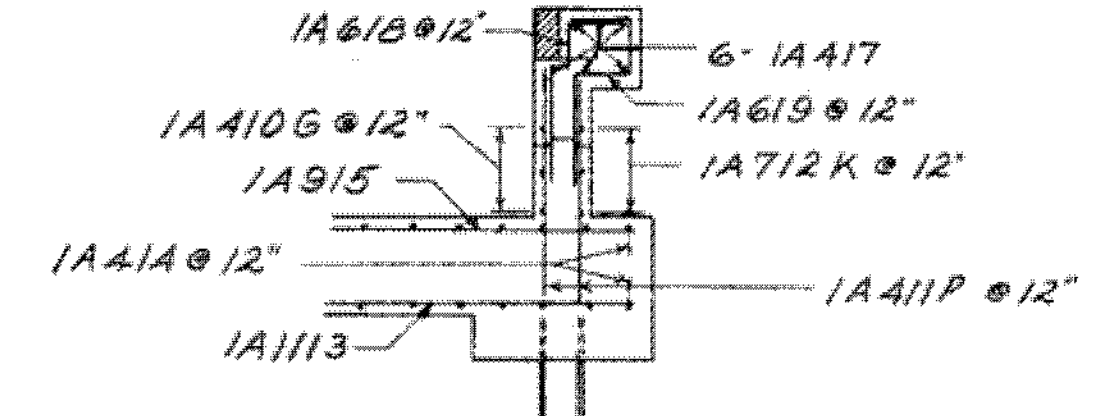
Plan View
Abut. 1, 2, 3, & 4



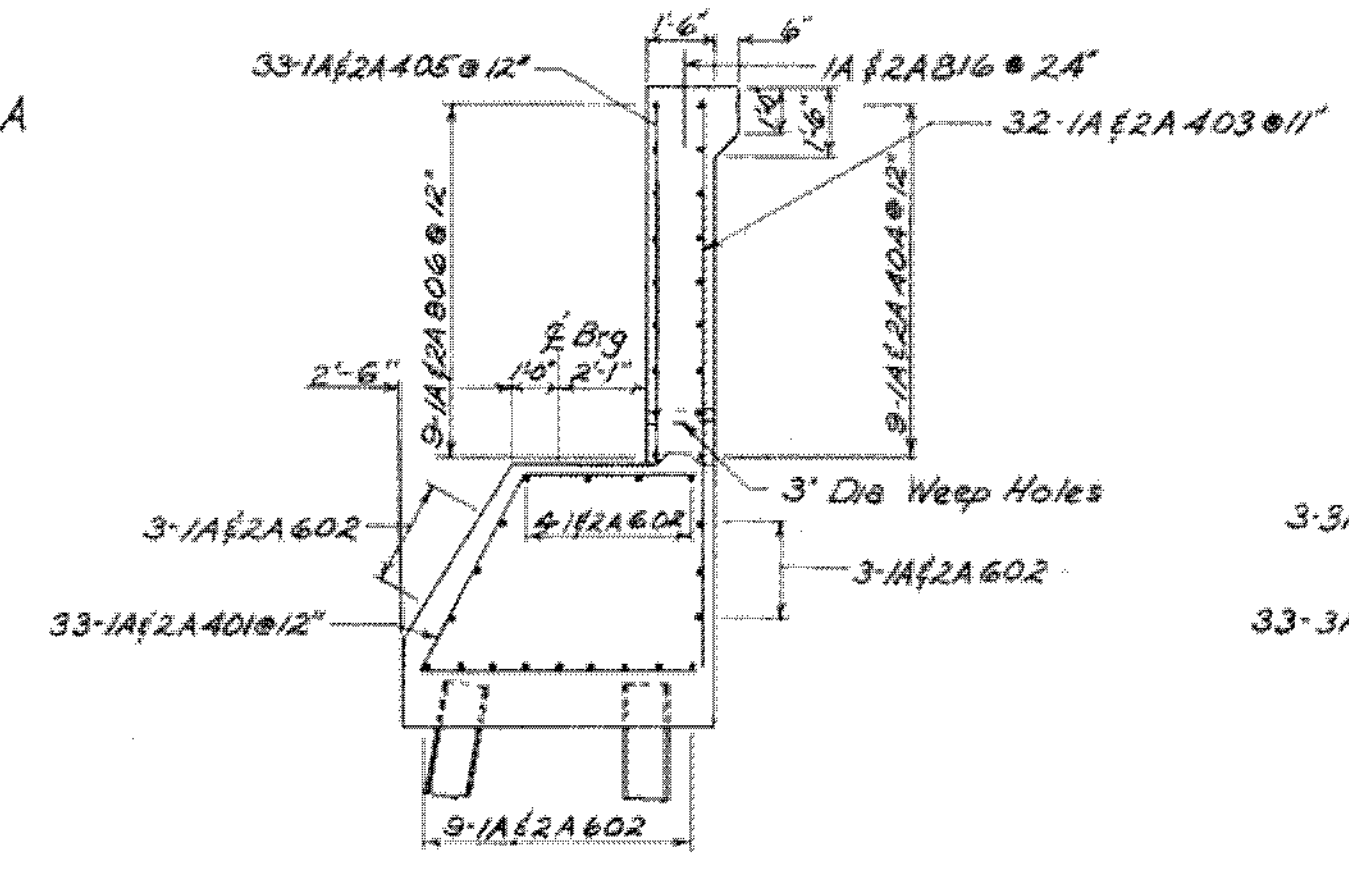
Front Elevation
Abut. 1, 2, 3, & 4



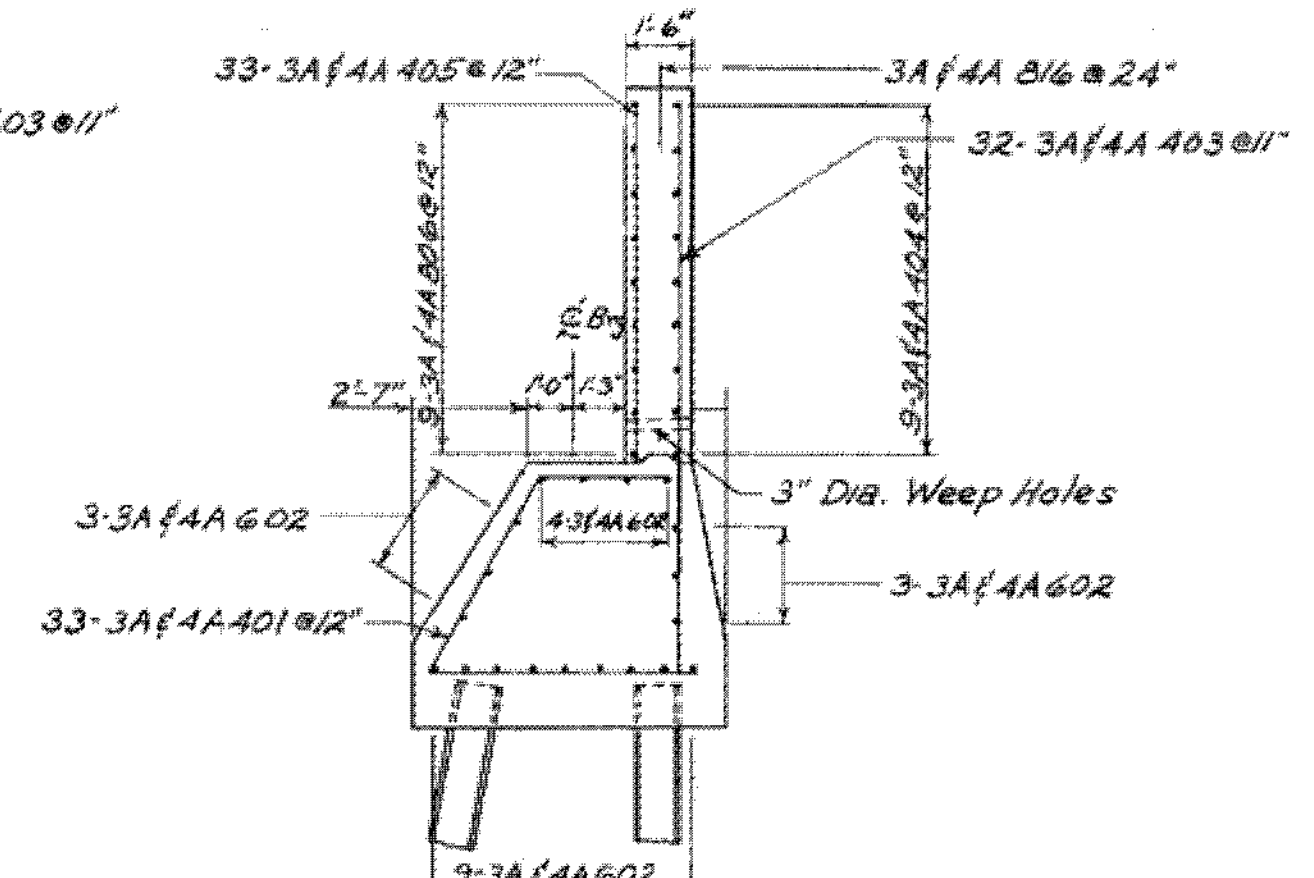
Section A-A
Abut. 1, 2, 3, & 4



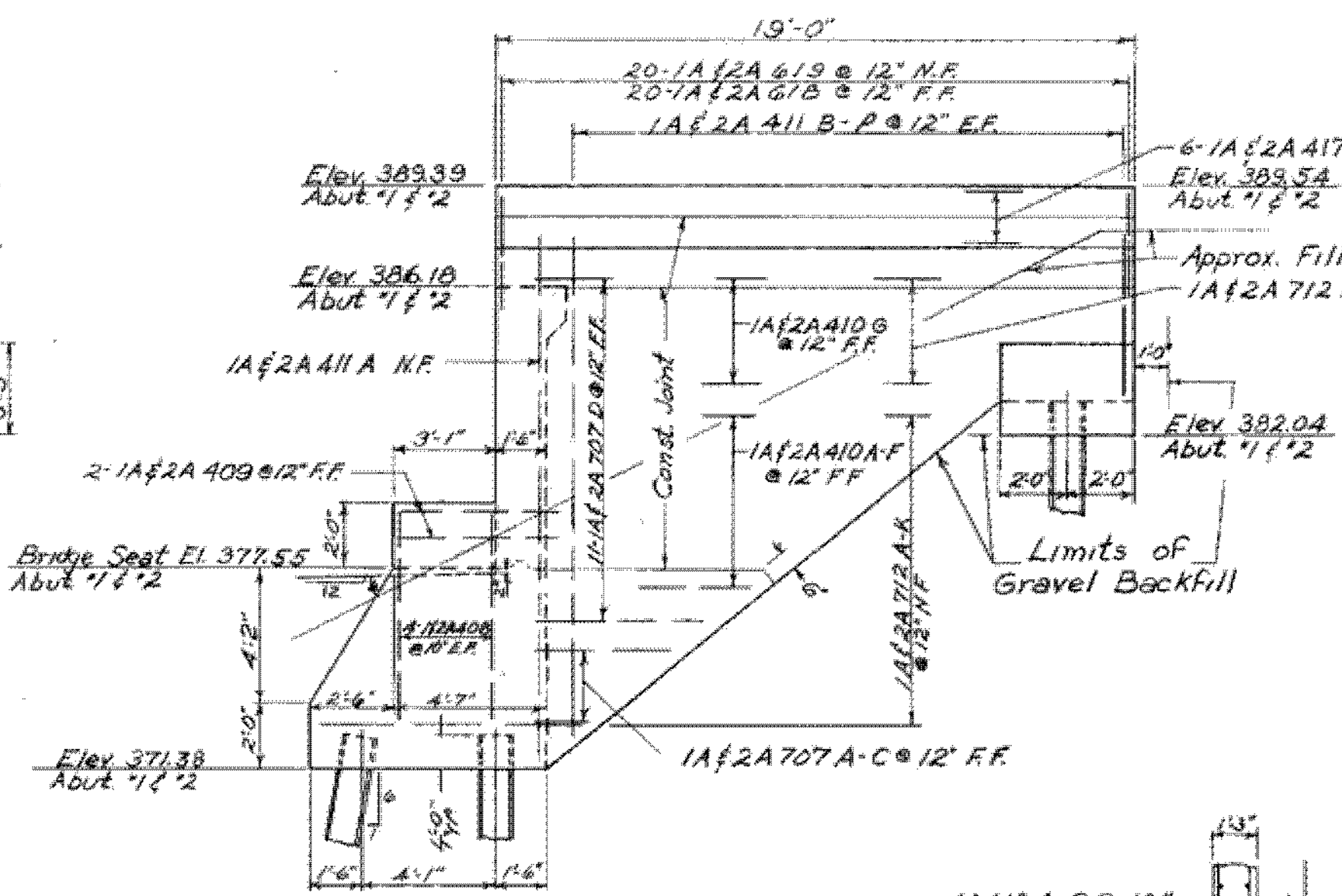
Section C-C
Abut. 1, 2, 3, & 4



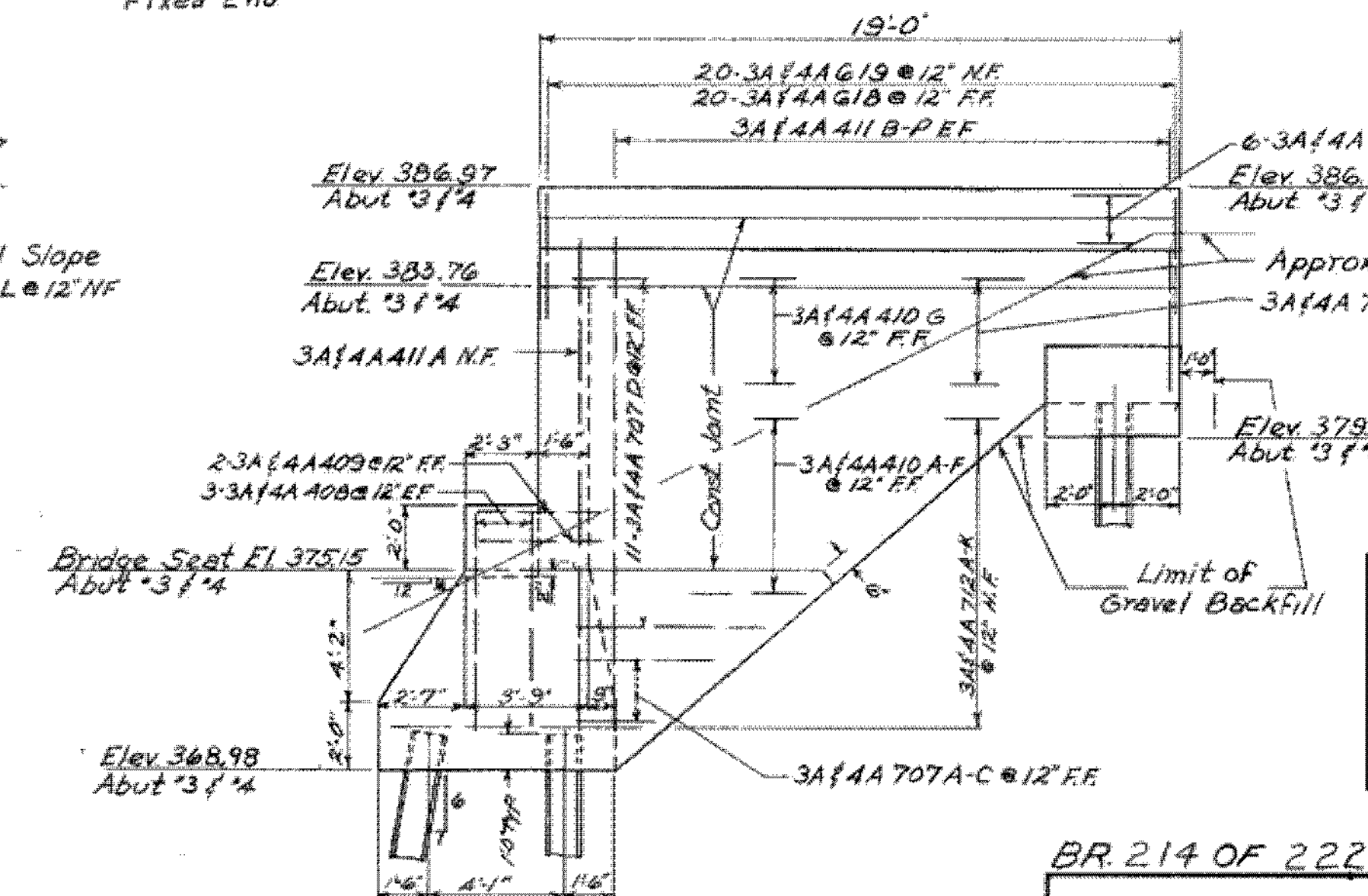
Section B-B
Abut. 1 & 2
EXP. END



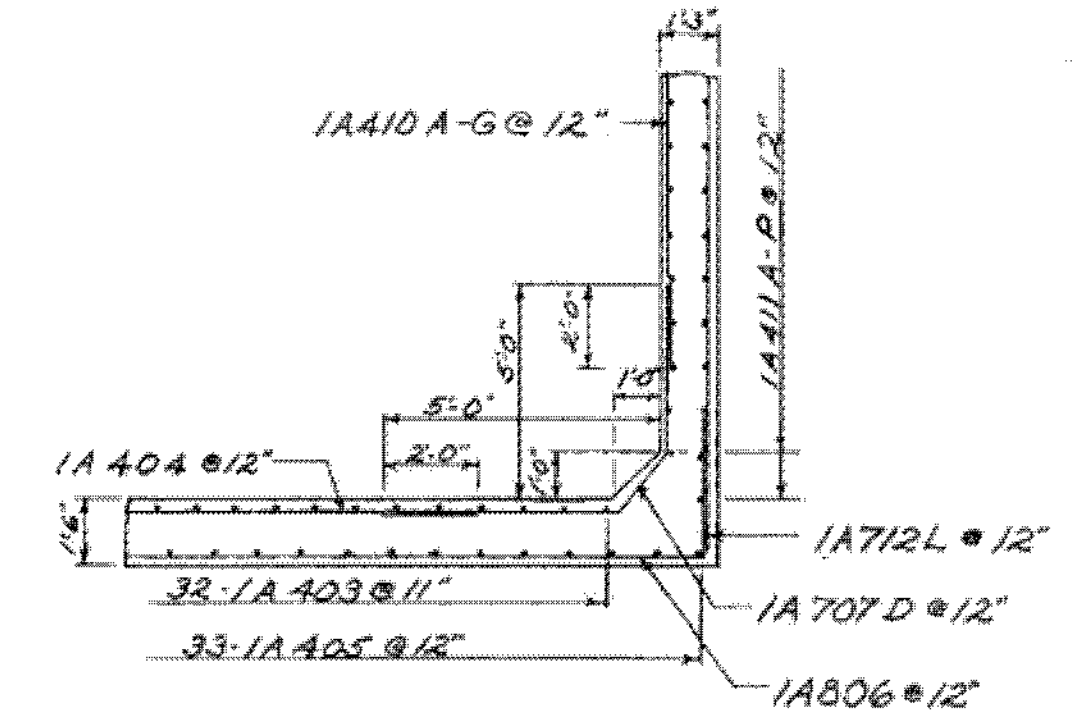
Section B-B
Abut. 3 & 4
FIXED END



Elevation D-D
Abut. 1 & 2



Elevation D-D
Abut. 3 & 4



Detail A
Abut. 1, 2, 3, & 4

Notes

- Slope Bridge Seats 1/4" per Ft to drain except under bearing devices and coat with 1/2" of Asphaltic-Asbestos Coating, Item 407.
- All reinforcing steel to be 2" clear except in footings where it shall be 3" clear.
- Front face of Backwall above Bridge Seats to be mopped with two (2) coats of Emulsified Asphalt, Type RS-1, as specified in Item 407.02-A1, State of Vermont, Department of Highways, Standard Specifications dated 1956. Cost of this work to be included in the unit price bid for Item 401-B Concrete Class B, Mod. Typical all abutments.
- Steel Piles are designed for a maximum load of 45 Tons each.
- For Construction Details see Std Sheet SCB-D6-62.
- All concrete above the top of the Backwall shall be placed after stringers are profiled.
- FOR DETAILS OF CABLE GUARD RAIL POST ANCHORAGE SEE STANDARD SHEET 63A.
- Inside face of backwall and wings to be coated as per note 3 above.
- Water Repellent, Item 440, shall be used on all exposed areas of Abutments not otherwise treated.

Abut. No.	No. of Piles	Size	Est. Lgth. of Piles	Splices allowed for piles not exceeding plan length. To be paid for only if used.	Splices estimated for piles exceeding plan length. To be paid for only if used.
1	14	12BP53	75'	14	3
2	12	12BP53	65'	12	2
	12	12BP53	75'	2	1
3	7	12BP53	75'	7	2
	6	12BP53	85'	6	1
	1	12BP53	90'	1	
4	12	12BP53	80'	12	2
	2	12BP53	90'	2	1

WESTMINSTER-NORWICH
IM BPNT (8)
SHEET 24 OF 58
BRIDGE 40
FOR REFERENCE ONLY

BR. 214 OF 222

STATE OF VERMONT
DEPARTMENT OF HIGHWAYS

TOWN OF Hartland

ROUTE NO. I 91 LOG STA 3525+95

I-91 over Ottauquechee River

Abutments No. 1, 2, 3, & 4

SCALE 1/4" = 1'-0"

SURVEYED BY _____

DRAWN BY WBT CHECKED BY RLO

PROJECT NO. I 91-1(22) Cont. 'A

SHEET 65 OF 103