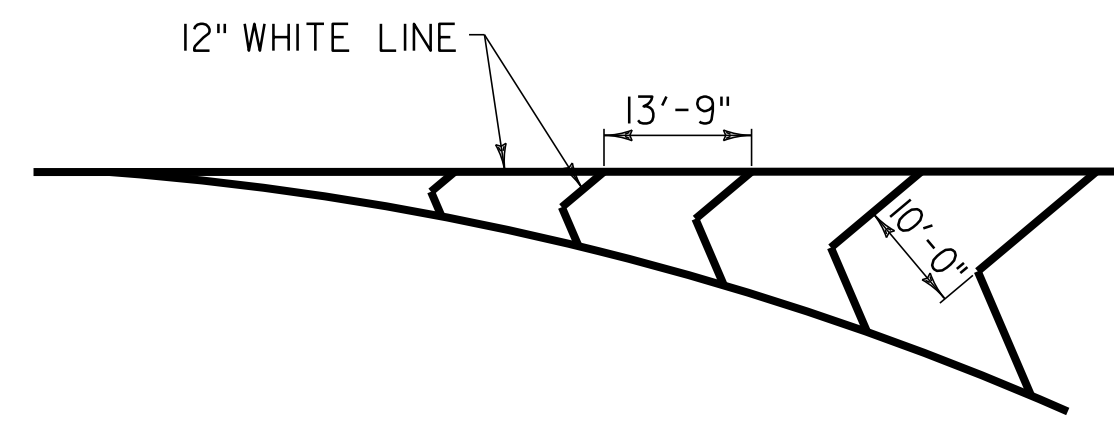
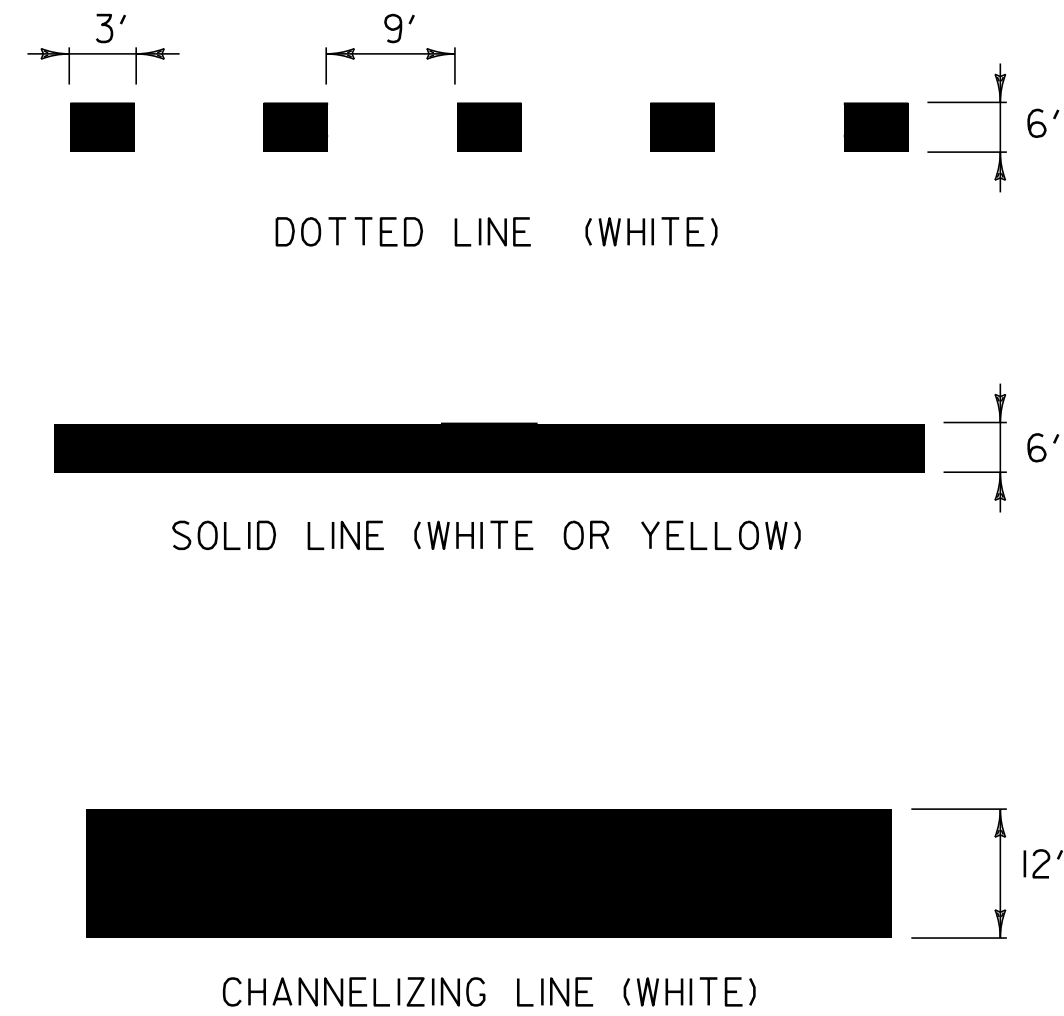


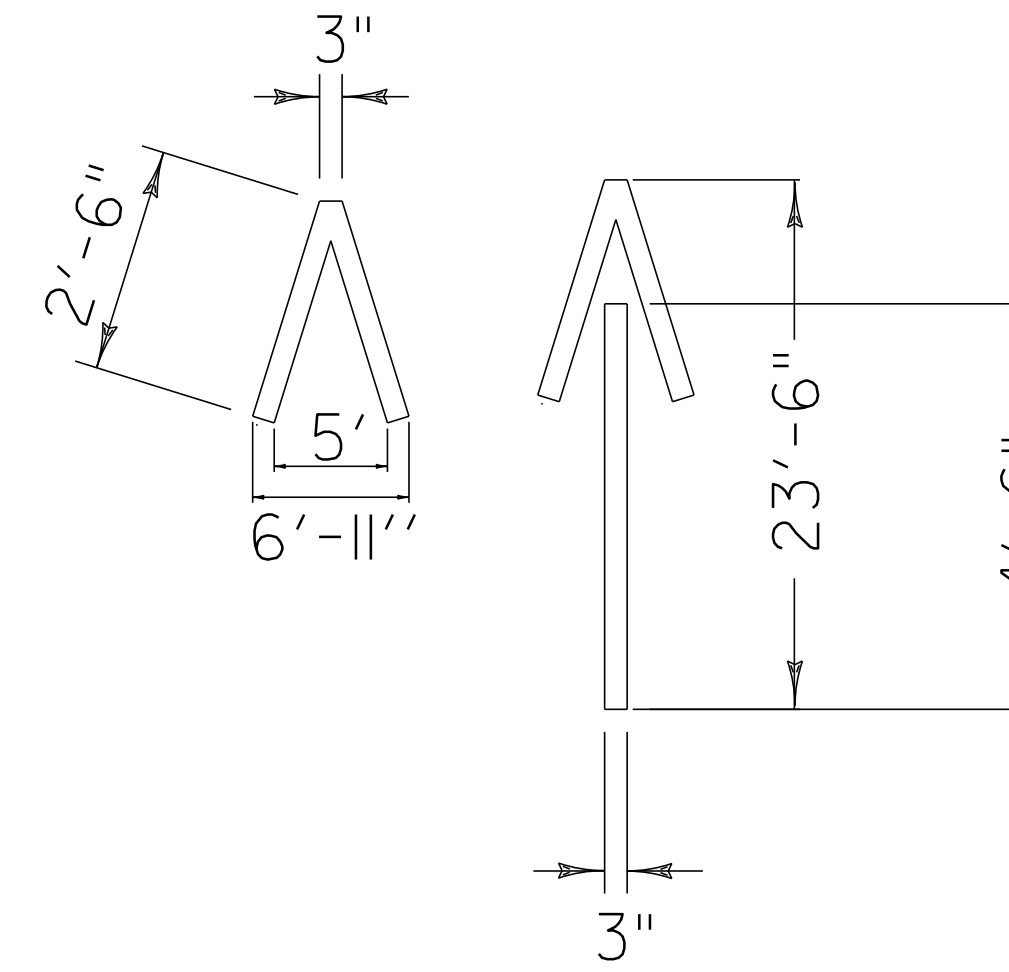
**TYPICAL MAINLINE MARKING PLAN**  
NOT TO SCALE



**GORE MARKING DETAIL**  
NOT TO SCALE

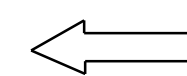


**PAVEMENT MARKING LINE DETAILS**  
NOT TO SCALE



**WRONG WAY ARROW**  
NOT TO SCALE

**LEGEND**



DIRECTION OF TRAFFIC FLOW

**PAVEMENT MARKING DETAIL SHEET**

PROJECT NAME: LYNDON - BARTON  
PROJECT NUMBER: IM SURF (25)

FILE NAME: p10a120.dgn  
PROJECT LEADER: M. FOWLER  
DESIGNED BY: LOCKE  
IPARM FILE NAME: p10a120pmd8.i

PLOT DATE: 11-JUN-2012 11:45  
DRAWN BY: LOCKE  
CHECKED BY: PAVT MGMT  
SHEET 15 OF 18