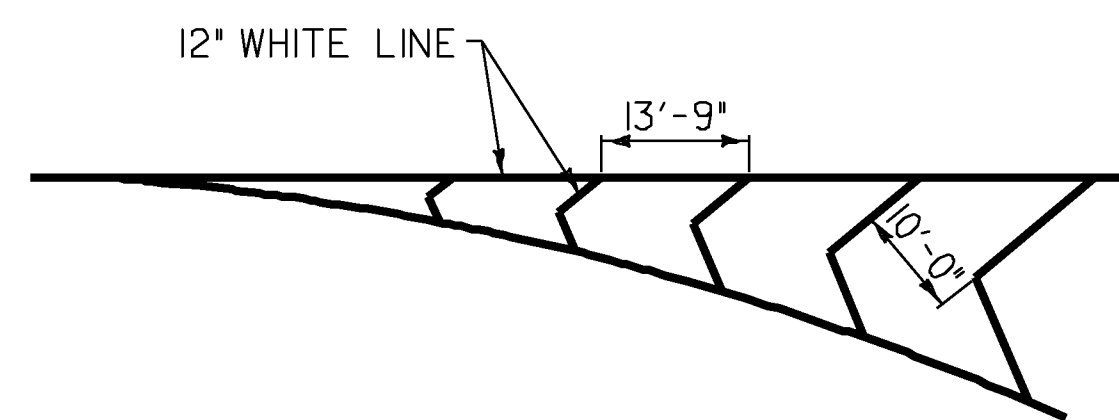
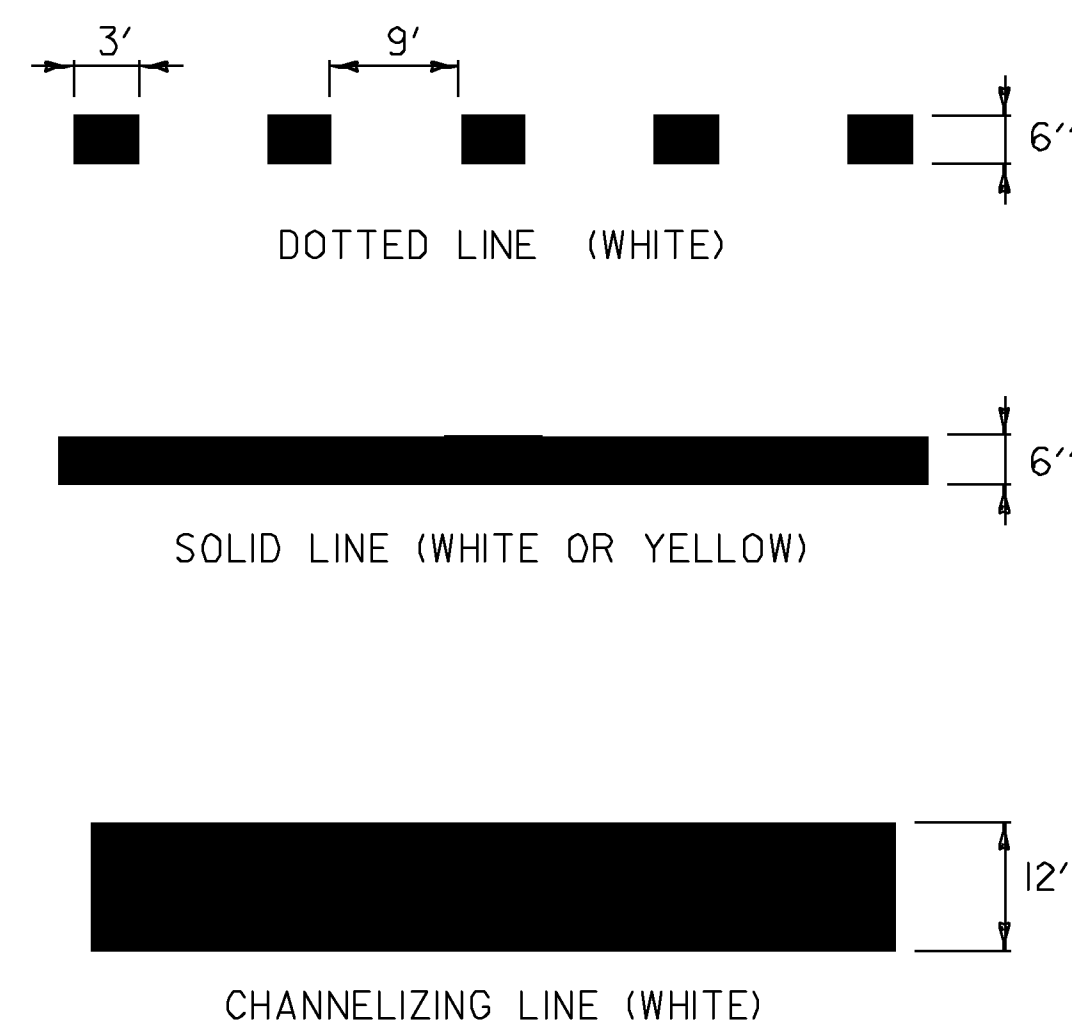


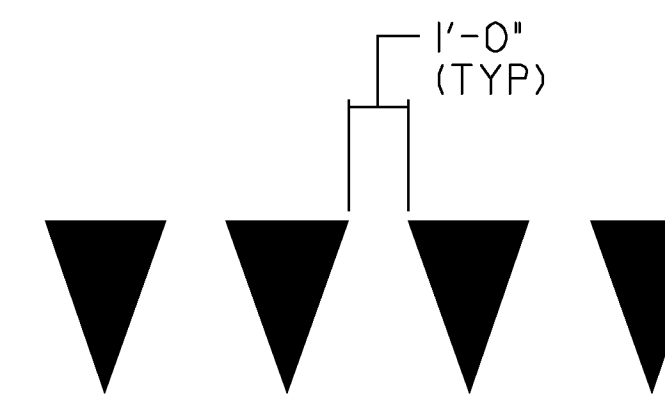
TYPICAL MAINLINE MARKING PLAN
NOT TO SCALE



GORE MARKING DETAIL
NOT TO SCALE



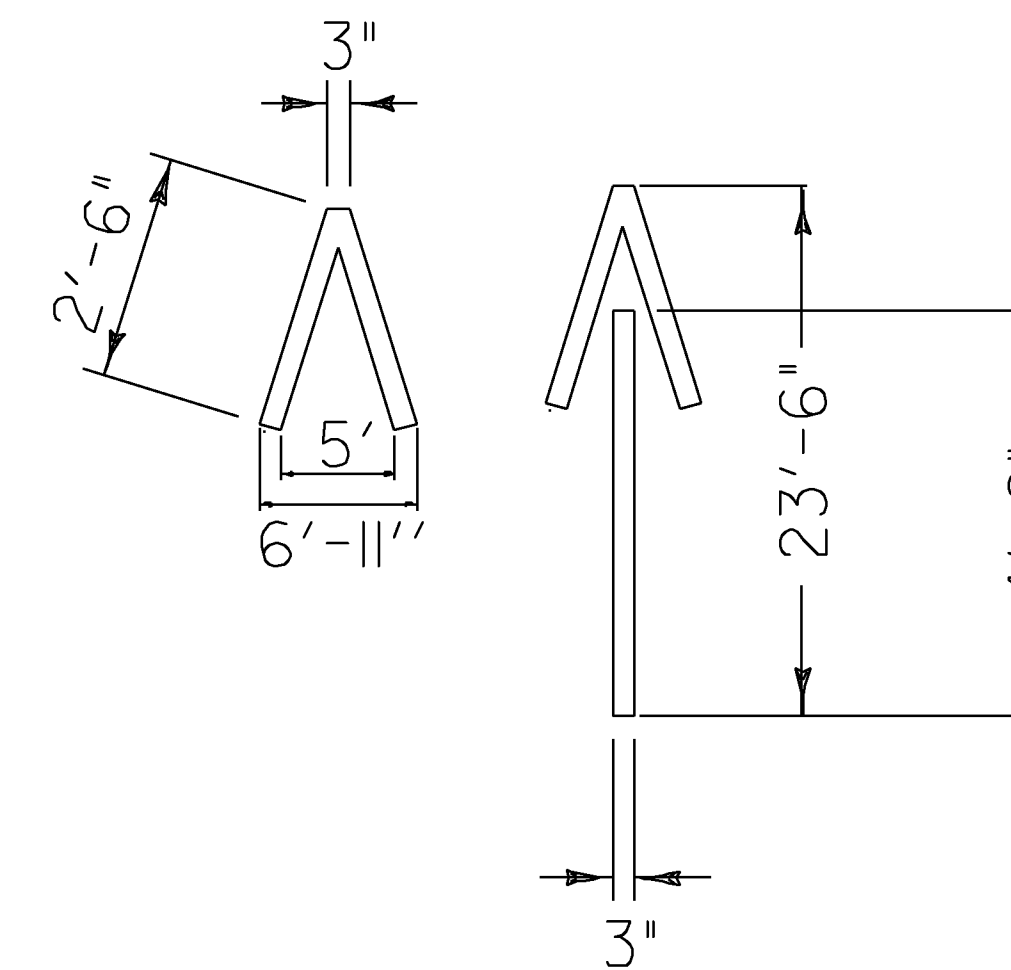
PAVEMENT MARKING LINE DETAILS
NOT TO SCALE



YIELD LINE DETAILS
NOT TO SCALE

NOTE:

- EACH TRIANGLE SHALL BE PAID AS ONE EACH ITEM 646.30 LETTER OR SYMBOL.



WRONG WAY ARROW DETAILS
NOT TO SCALE

LEGEND



DIRECTION OF TRAFFIC FLOW

**PAVEMENT
MARKING
DETAIL
SHEET**

PROJECT NAME: GEORGIA - ST. ALBANS
PROJECT NUMBER: IM SURF (21)

FILE NAME: p10a092.dgn
PROJECT LEADER: M. FOWLER
DESIGNED BY: LOCKE
IPARM FILE NAME: p10a092pmd3.1

PLOT DATE: 27-JUL-2010
DRAWN BY: LOCKE
CHECKED BY: PAVT MGMT
SHEET 10 OF 16