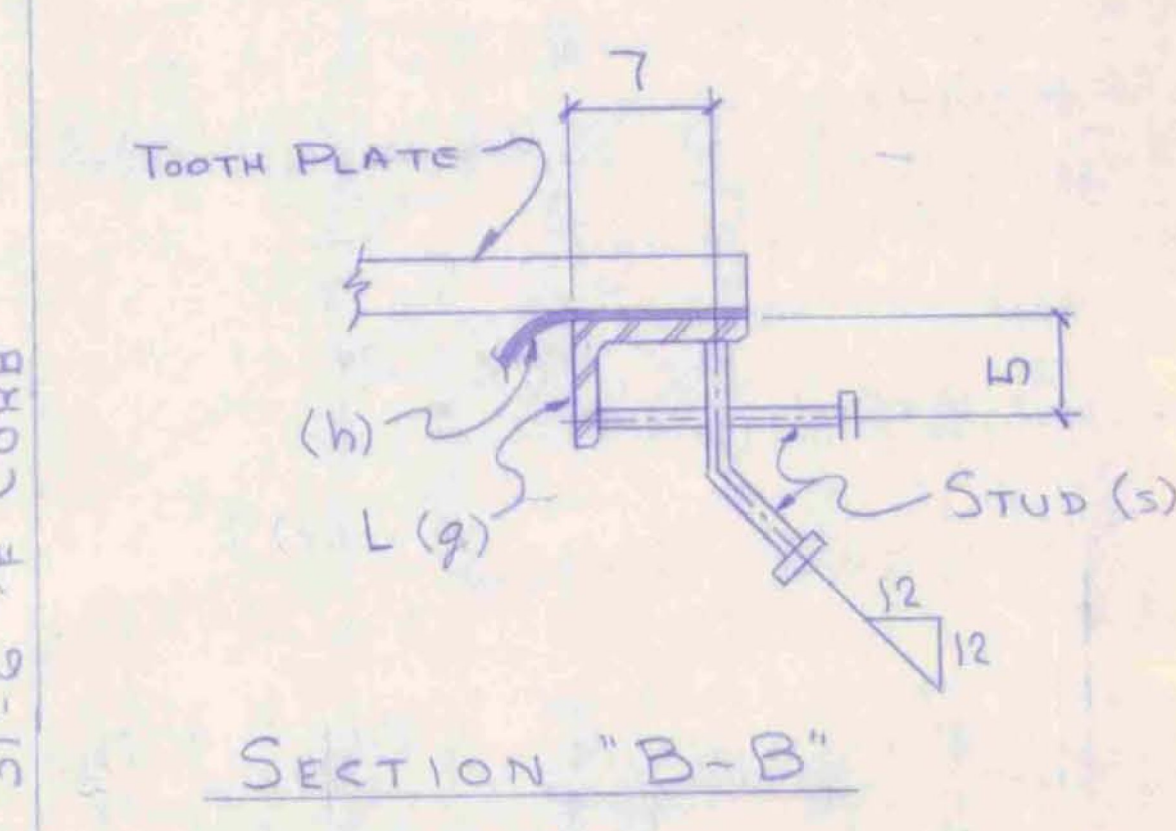
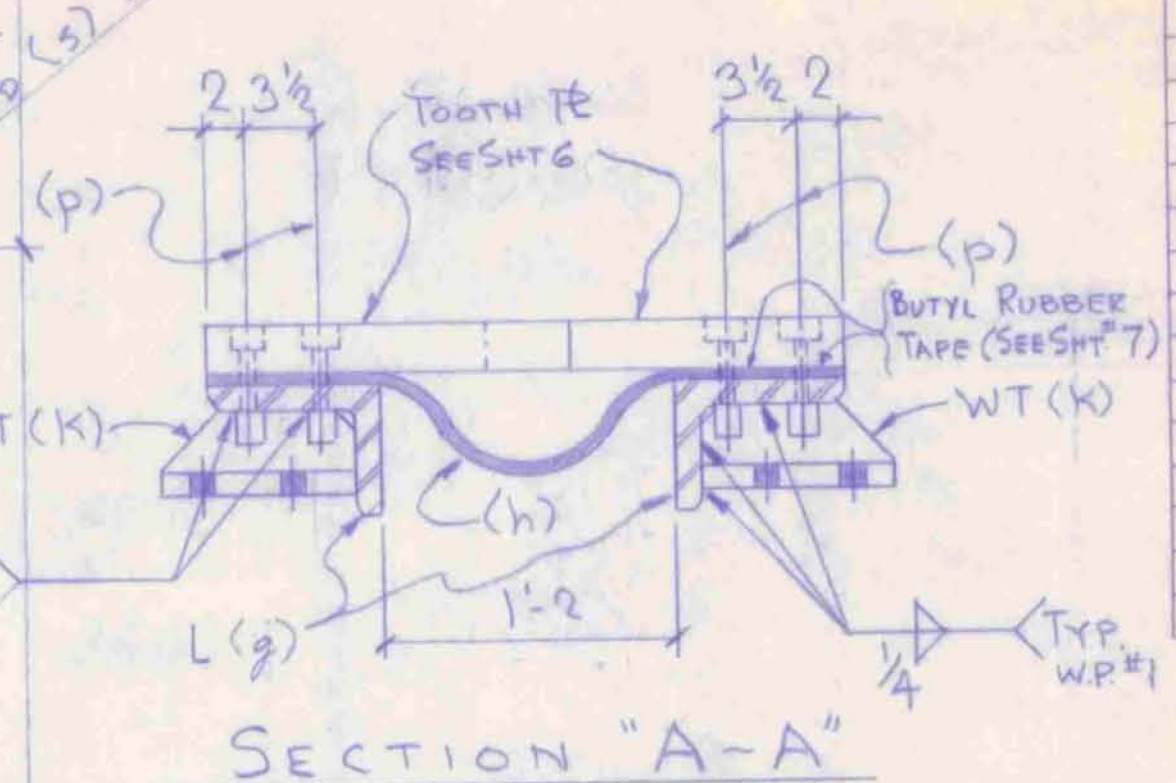
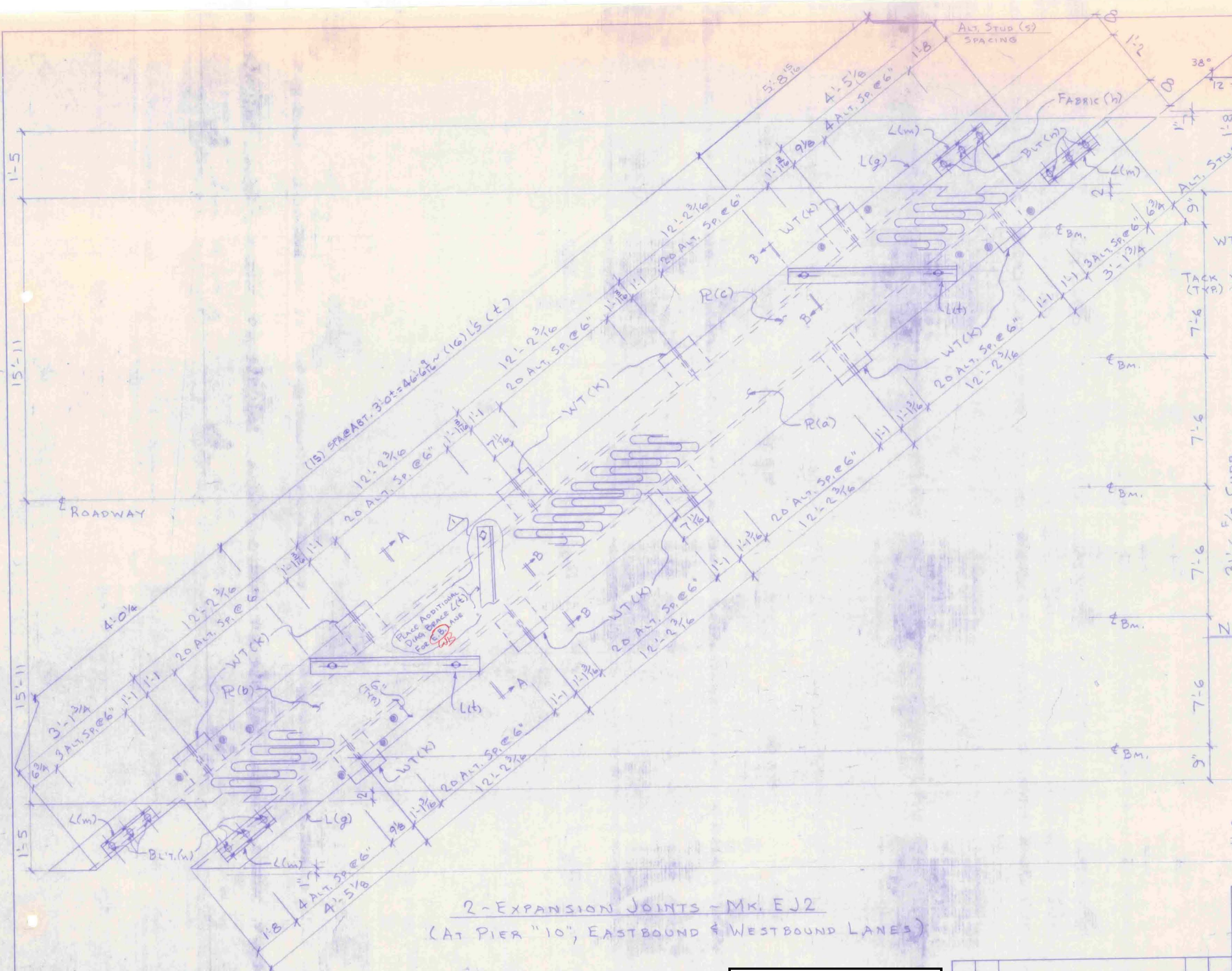


IDENTIFICATION LETTERS		
a	aa	AA
b	bb	BB
c	cc	CC
d	dd	DD
f		FF
g		GG
h		HH
k		KK
m		MM
n		NN
p		PP
s		
t		
v		
w		
y		



- NOTES:
1. ALL STEEL TO BE ASTM-A36.
 2. COATING: GALVANIZING SHALL CONFORM WITH ASSHTO M111 OR M232 OR: METALLIZING SHALL CONFORM WITH VERMONT SPEC. 506.15C
- (SEE SHT. *7 FOR NOTES 3, 4 & 5)

RECEIVED 11/21/90
 OK'D BY CPW OK'D BY
 RESUBMIT APPROVED/RENOTED
 BY DATE 11/27

WORK THIS DRAWING WITH SHT'S. 6 & 7 *Suburban*

2-EXPANSION JOINTS - MK. EJ2
 (AT PIER "10", EASTBOUND & WESTBOUND LANES)

MONTPELIER
 IM MEMB(23)

SHEET 62 OF 63
 BRIDGE 42N&S
 FOR REFERENCE ONLY

USF UNITED STEEL FABRICATORS, INC.
 P.O. BOX 516
 SIDNEY, OHIO 45385
 TELEPHONE (513) 492-9184

PROJECT: MONTPELIER IRO89-2 (18)
 Pier "10" Expansion Joint Details
 189 OVER THE WINOOSKI RIVER
 STATE OF VERMONT

CONTRACTOR: BECK AND BELLUCI

REV. SHEET NO. REVISIONS DATE BY

1 Added Temp. L (t) LANE 11/20/90

MFG. NO. 8359
 DRAWN C. HAYDEN
 CHKD. 5/3/90
 APP.
 REF. 516.10
 SHEET 5 OF