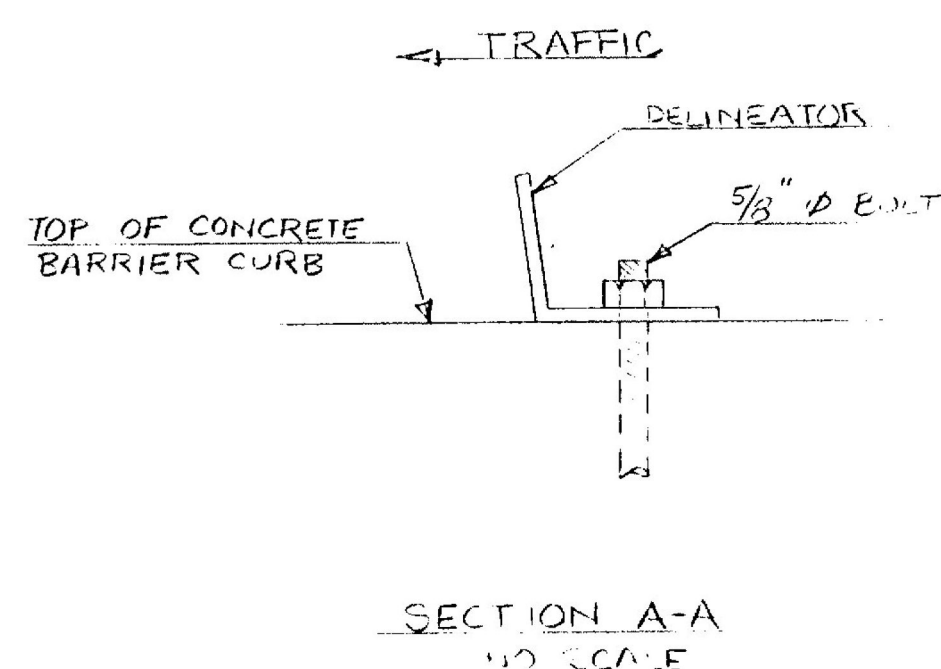


TYPICAL SECTION

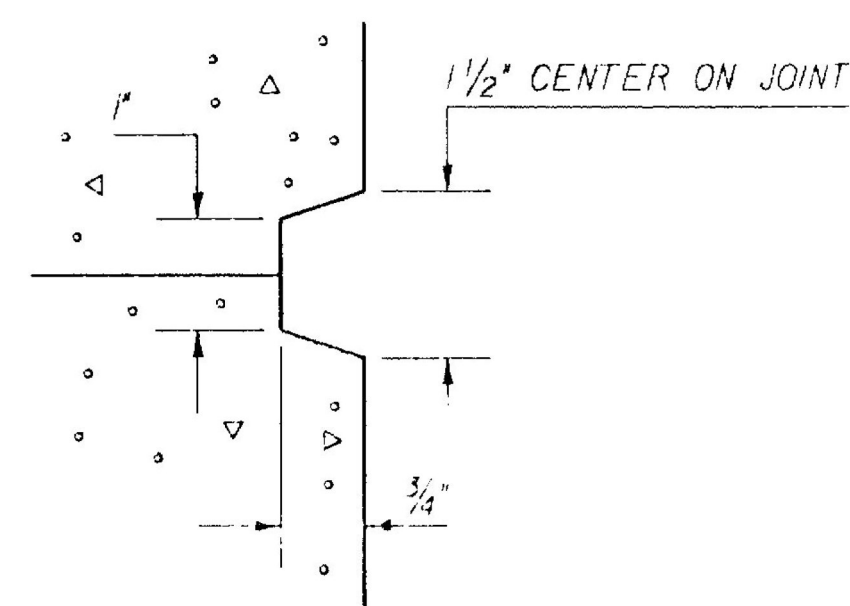
SCALE: 1/2" = 1'-0"



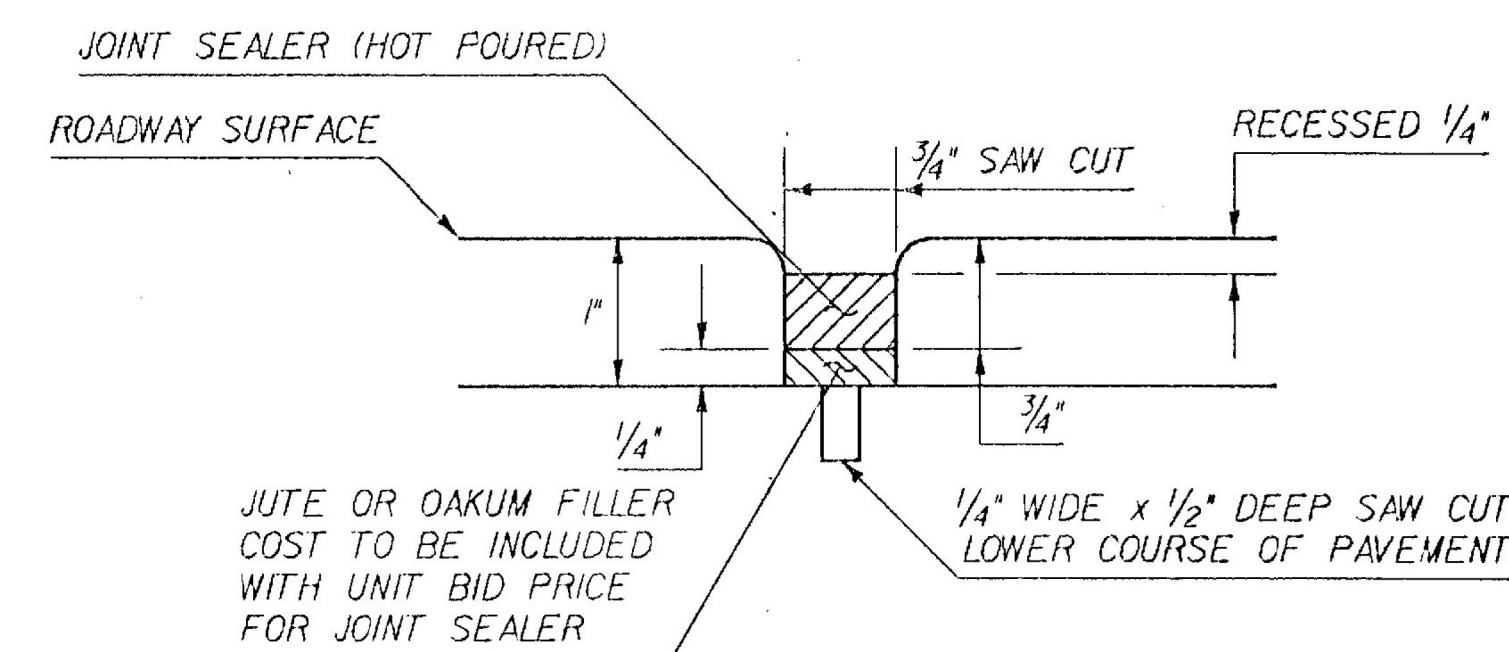
SECTION A-A  
NO SCALE

DELINEATOR NOTES

PAYMENT FOR DELINEATORS SHALL BE SUBSIDIARY TO THE ITEM 'CONCRETE BRIDGE BARRIER CURB'. DELINEATORS SHALL BE SPACED @ 30' MAX. DELINEATORS SHALL BE AMBER OR WHITE w/ AMBER ON THE MEDIAN SIDE. SEE STD DWG. G-1 FOR DETAILS OF DELINEATOR

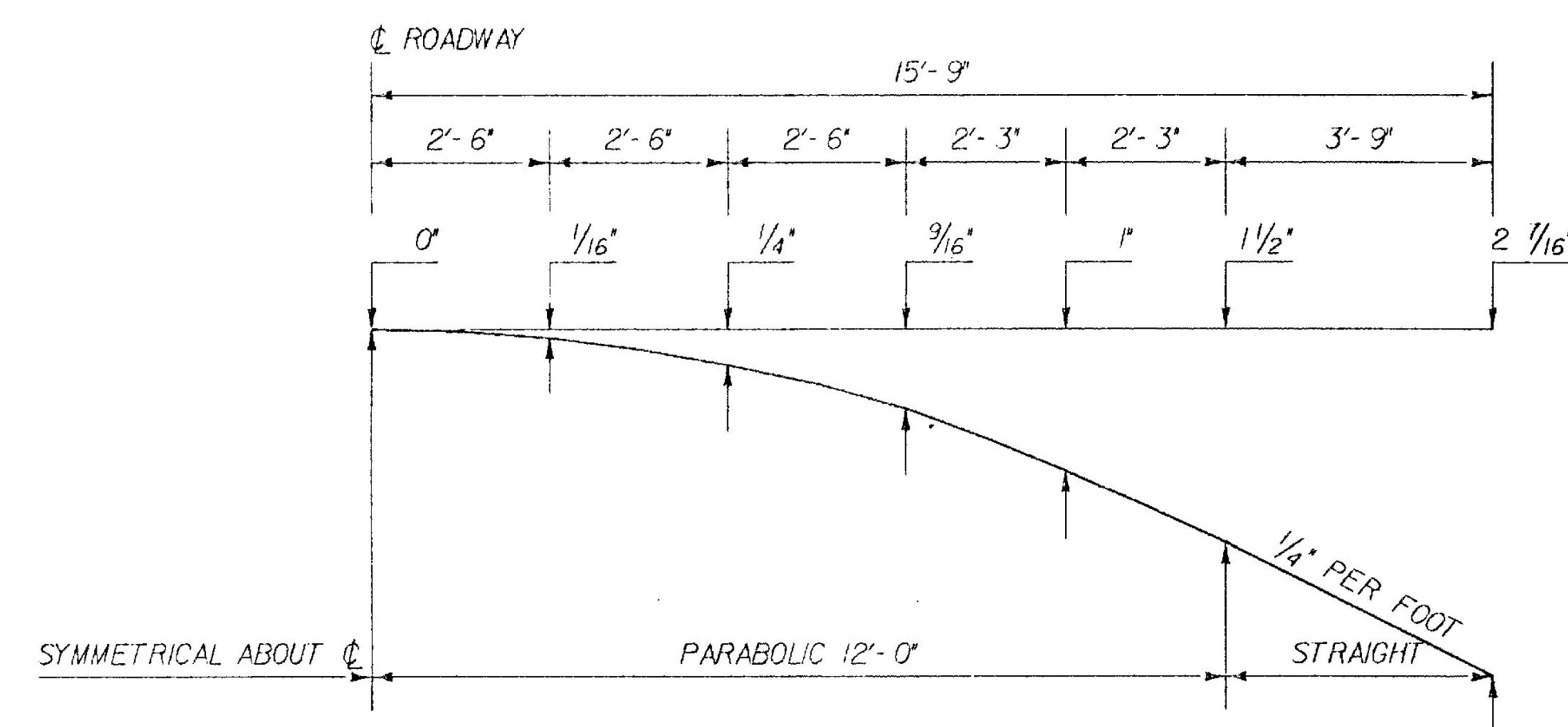


SCORE MARK DETAIL



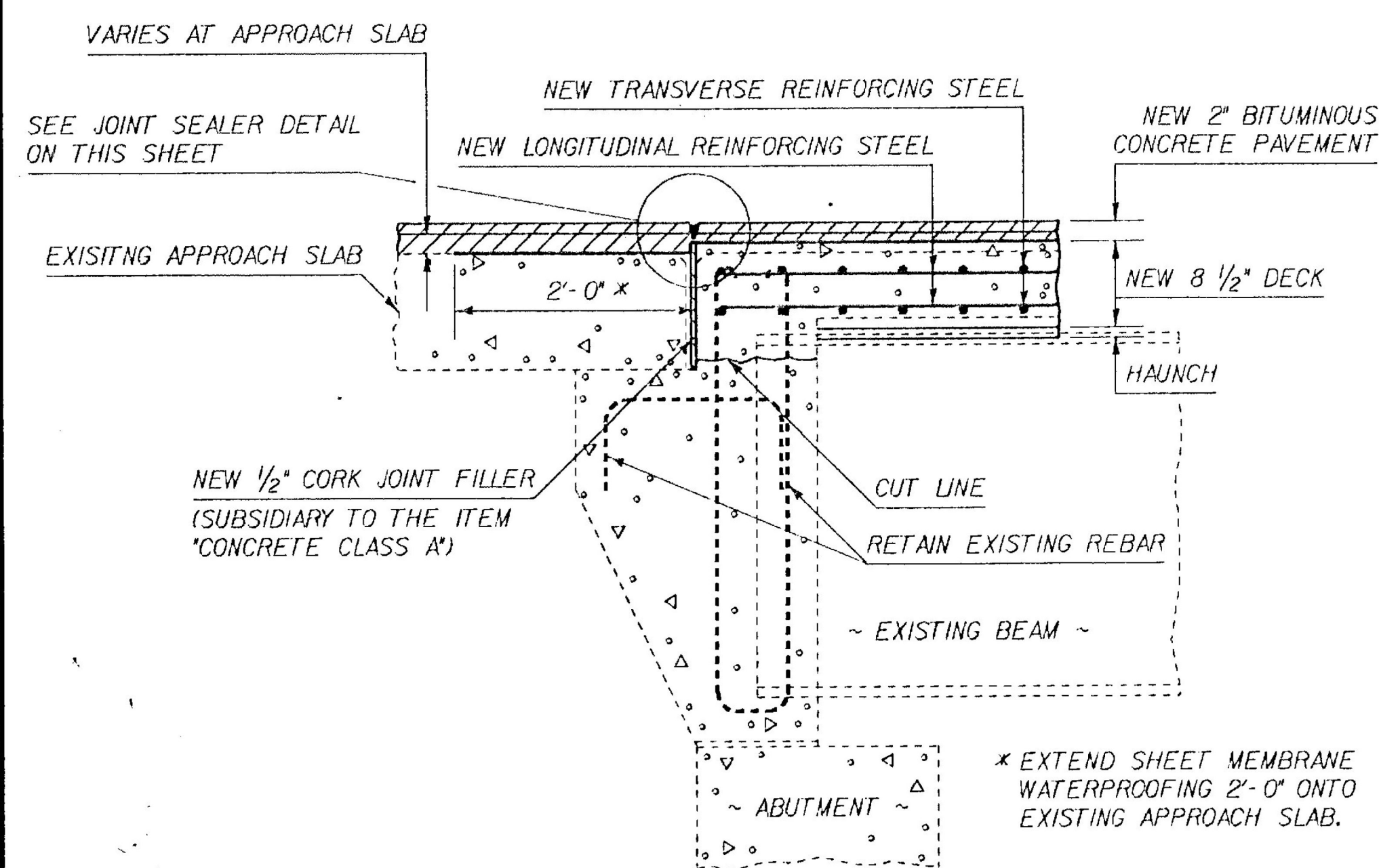
JOINT SEALER DETAIL

THE JOINT IS TO BE LOCATED ACCURATELY BY STRING LING, OR OTHER MEANS, PRIOR TO PAVING, SO THAT THE SAW CUTS WILL BE MADE DIRECTLY OVER THE END OF THE CONCRETE DECK.



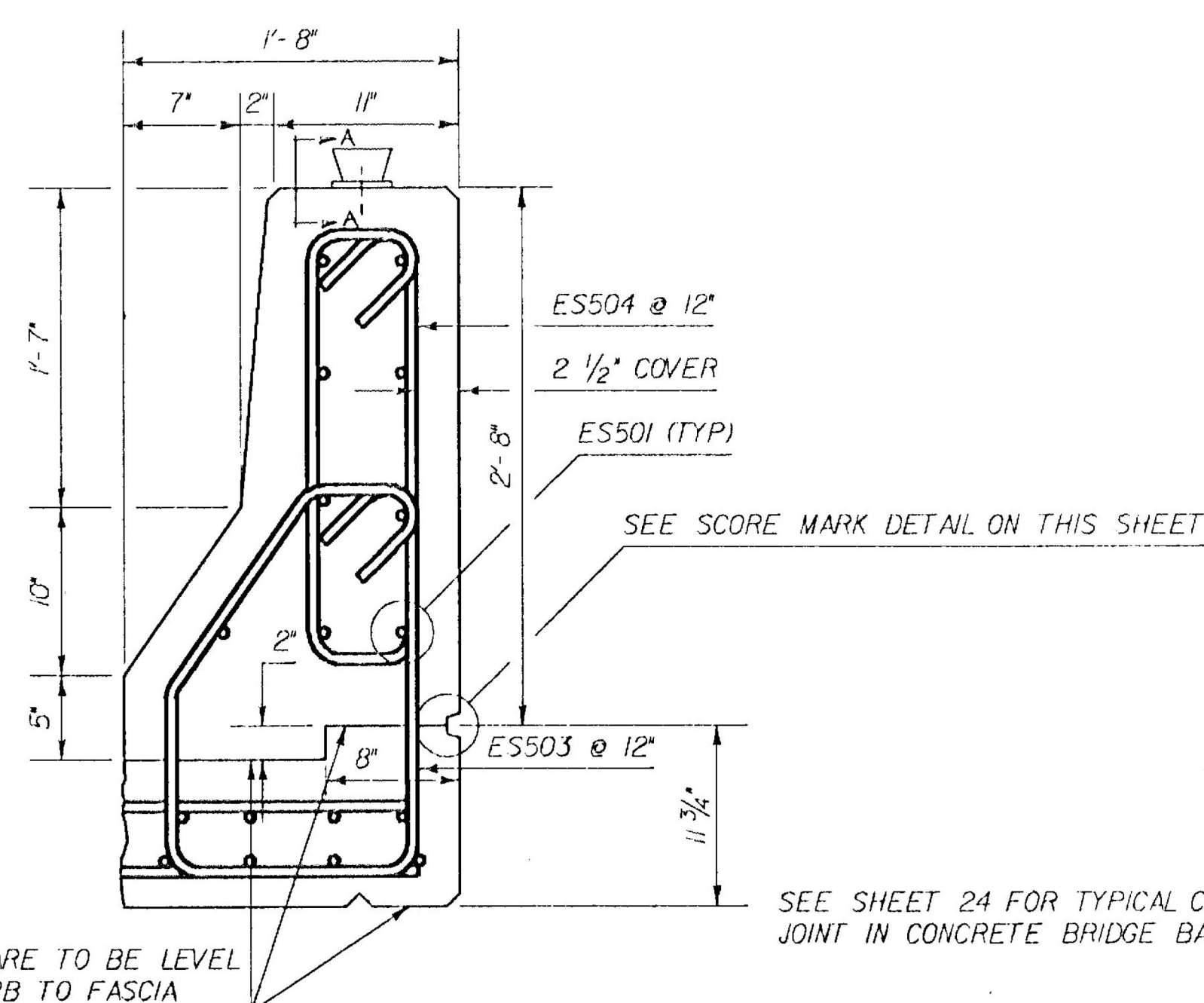
DETAIL OF PARTIAL PARABOLIC CROWN OF SLAB

HORIZONTAL SCALE: 1/2" = 1'-0"  
VERTICAL SCALE: 1" = 1'



END OF BRIDGE AT ABUTMENTS

SCALE: 1" = 1'-0"



DETAIL "A"

SCALE: 1/2" = 1'-0"

SEE SHEET 24 FOR TYPICAL CONSTRUCTION JOINT IN CONCRETE BRIDGE BARRIER CURB.

THESE SURFACES ARE TO BE LEVEL FROM FACE OF CURB TO FASCIA

MONTPELIER  
IM MEMB(23)  
SHEET 52 OF 63  
BRIDGE 42N&S  
FOR REFERENCE ONLY

STATE OF VERMONT  
AGENCY OF TRANSPORTATION

Town Of	MONTPELIER	Bridge No.	42 N & S
Highway No.	1-89	Log Sta.	
		Surv. Sta.	
TYPICAL BRIDGE SECTION			
INTERSTATE 89 OVER THE WINDOSKI RIVER			
Designed By	C. WILLIAMS	Drawn By	K. S. CLARMONT
Checked By	Date	Bridge Design Supervisor	
	C. WILLIAMS	6-89	F.W. BOLKUM Date 8-89
PROJECT	MONTPELIER	PROJECT NO.	IR 089-2(18)
I.G.C. Info.	ZFAI: [30, 47] 86A003.DGN: 1		
Bridge Sheet No.		Sheet	13 of 45