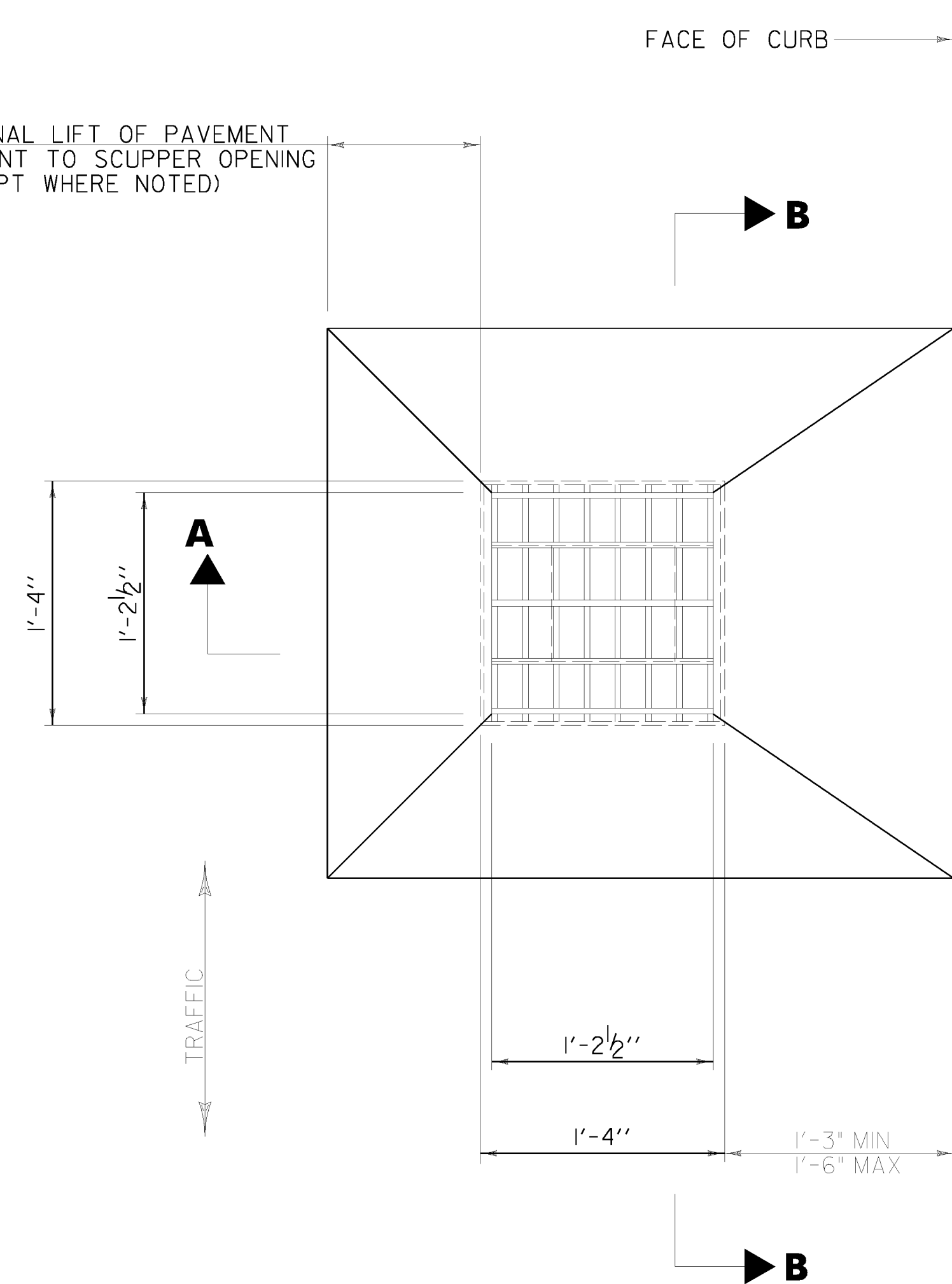
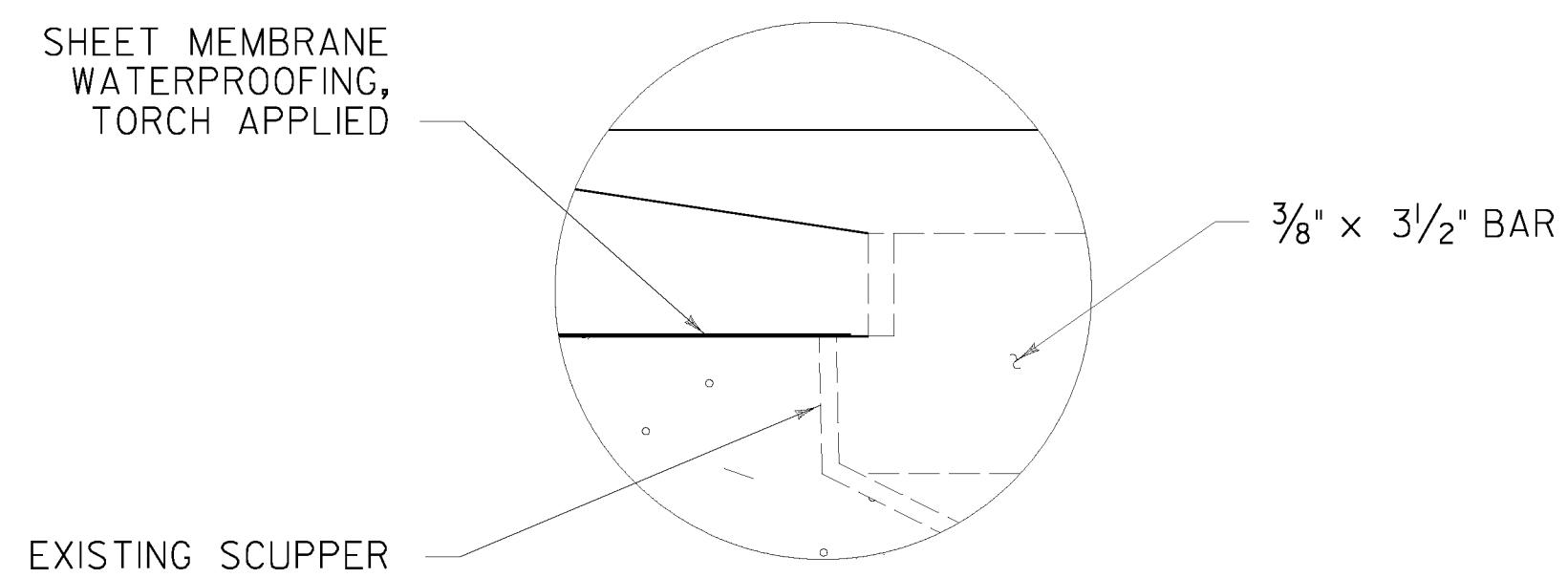


10° - TAPER FINAL LIFT OF PAVEMENT FROM THIS POINT TO SCUPPER OPENING (TYPICAL EXCEPT WHERE NOTED)

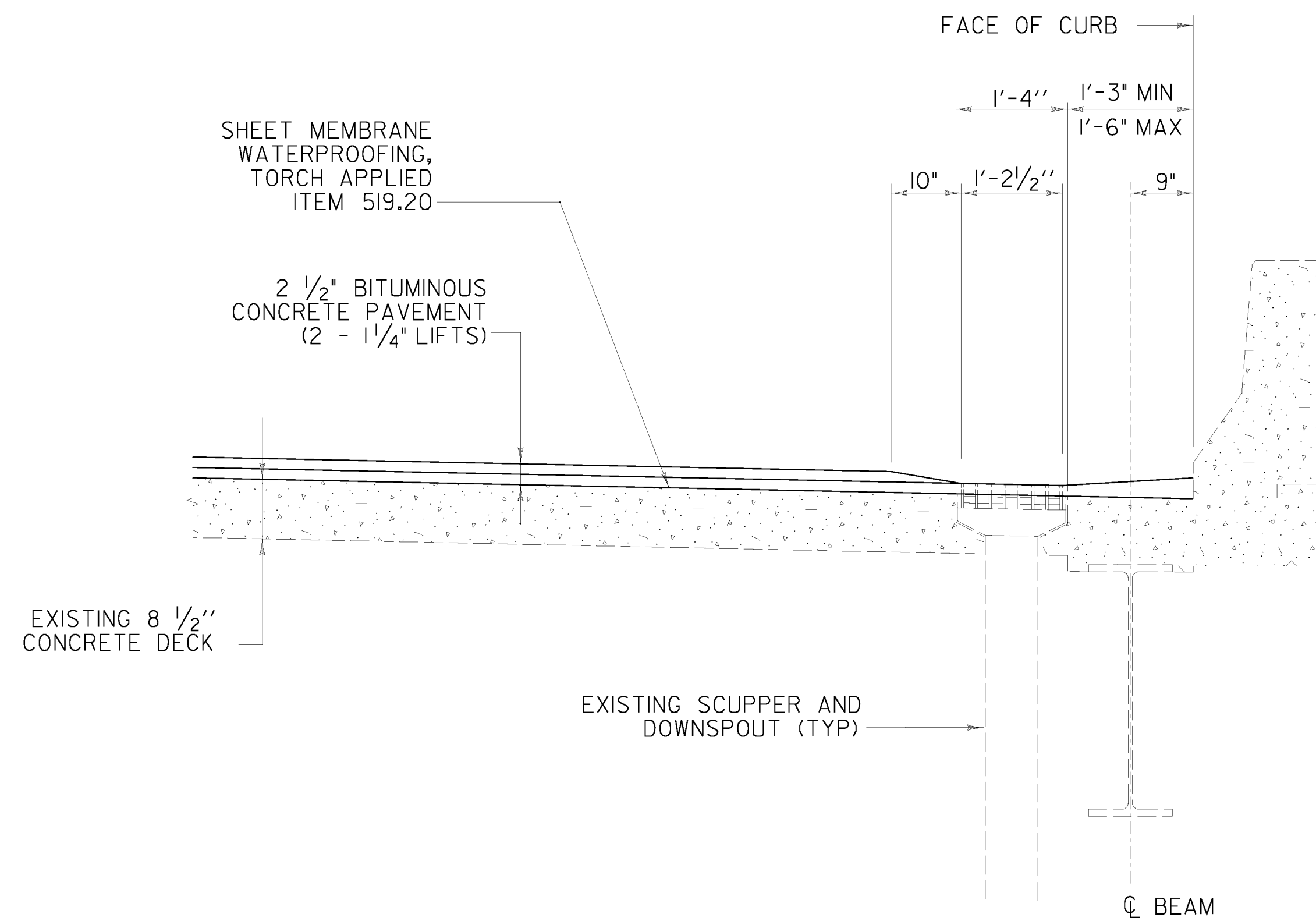


PLAN

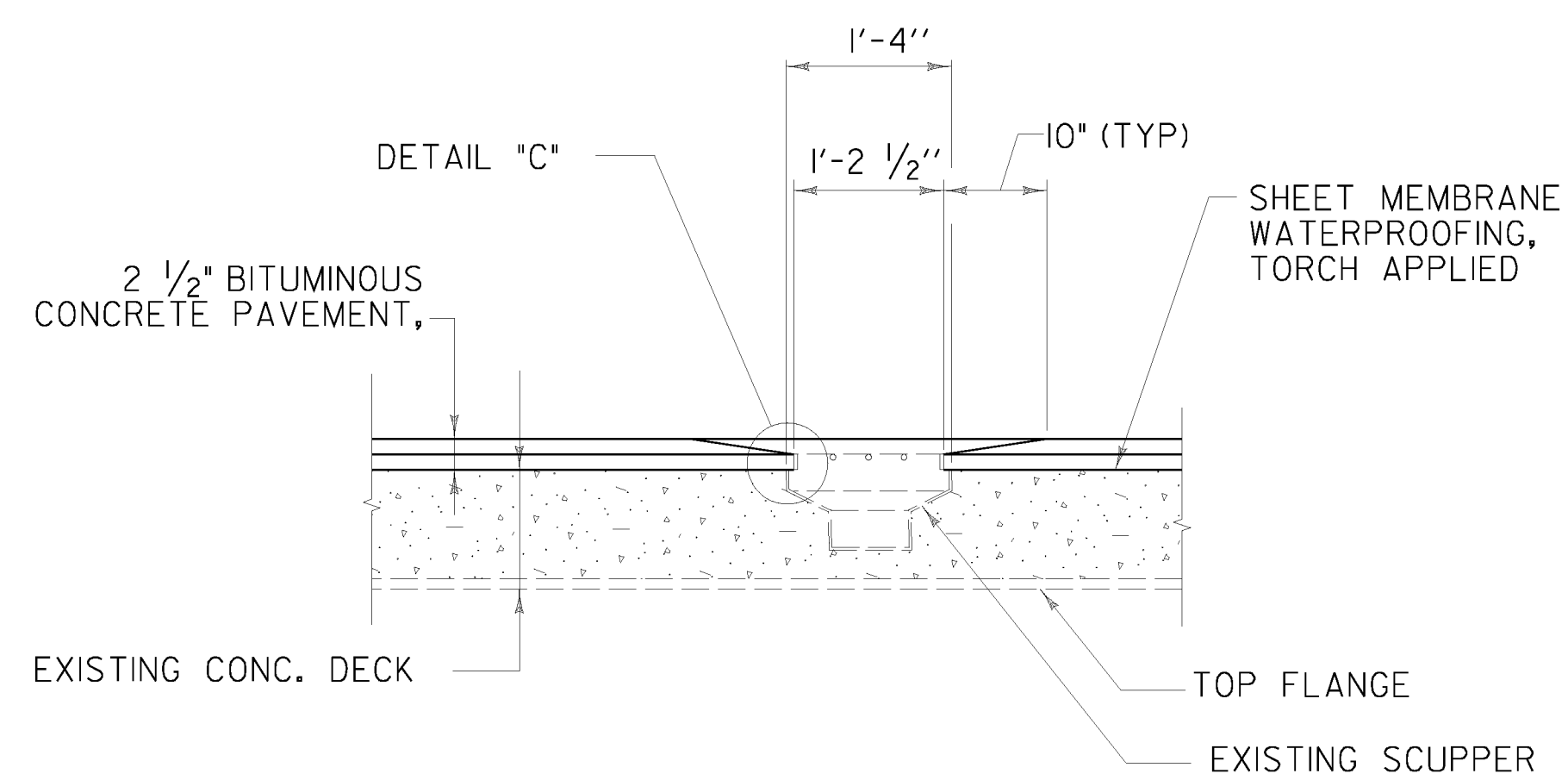
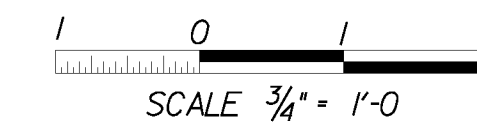


DETAIL "C"

NTS



SECTION A-A



SECTION B-B



NOTE:

DETAILS SHOWN ARE FOR BRIDGE 42N. BR 42S INCLUDES REMOVAL AND REPLACEMENT OF WEARING COURSE ONLY.

PROJECT NAME: MONTPELIER
PROJECT NUMBER: IM MEMB(23)

FILE NAME: ...20.bit conc det 2.pff
PROJECT LEADER: G. BOGUE
DESIGNED BY: T. KNIGHT
BITUMINOUS CONCRETE DETAILS 2

PLOT DATE: 5/24/2010
DRAWN BY: T. KNIGHT
CHECKED BY: G. BOGUE
SHEET 49 OF 63

