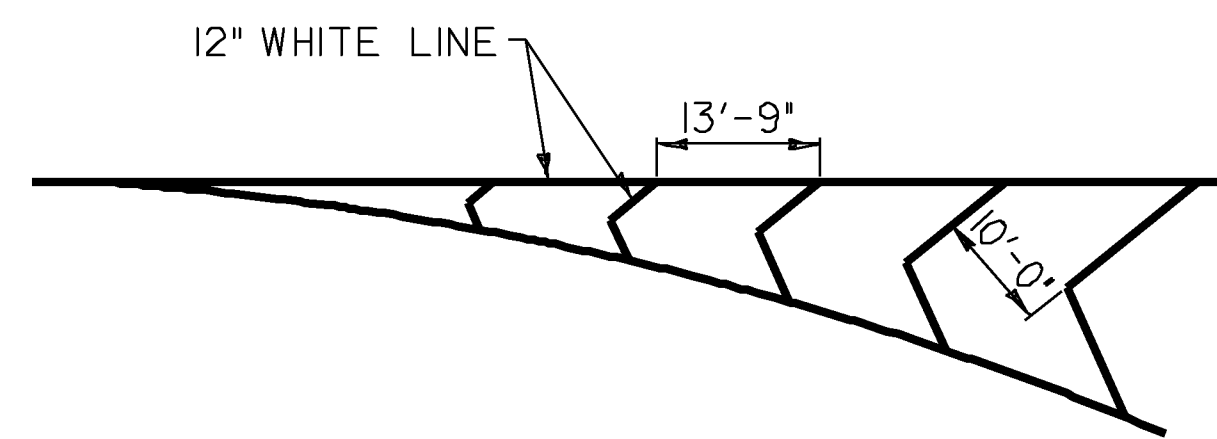
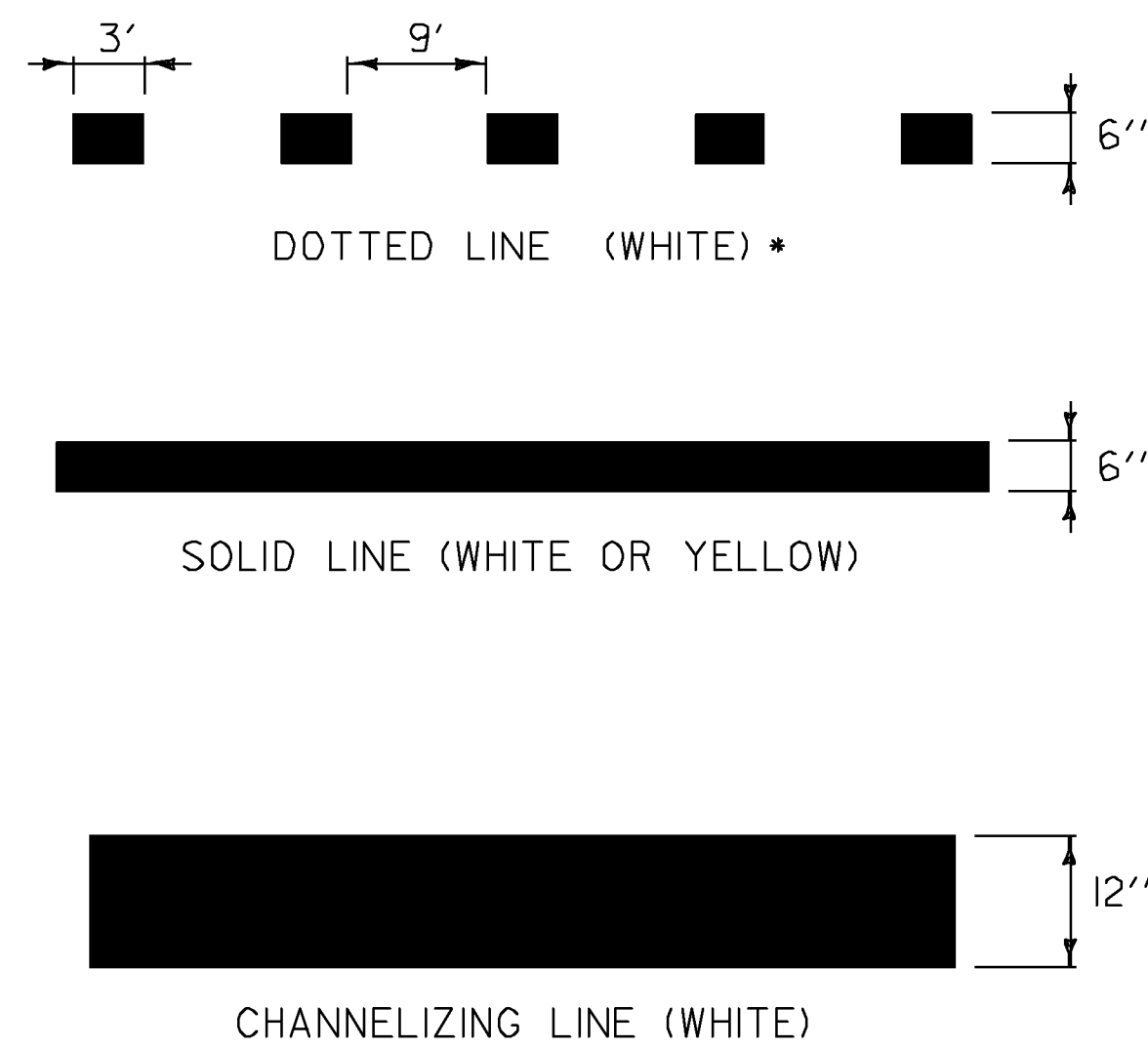


TYPICAL MAINLINE MARKING PLAN

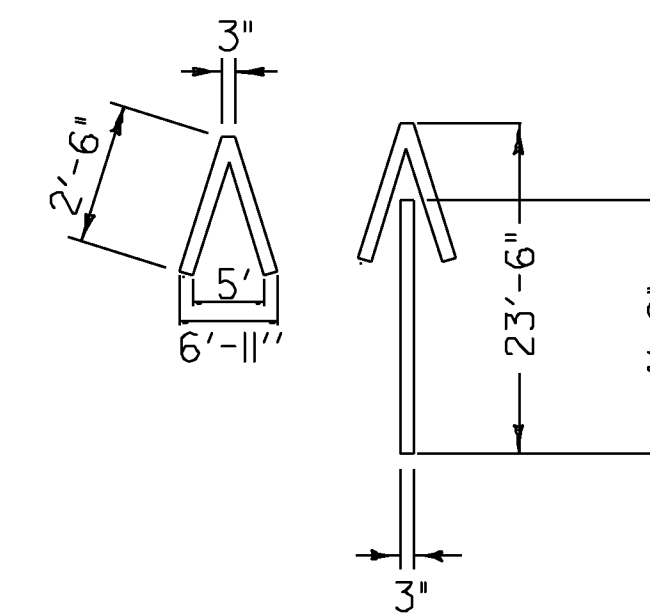


GORE MARKING DETAIL



PAVEMENT MARKING LINE DETAILS

* TO BE INSTALLED ONLY AT THE DIRECTION OF THE RESIDENT ENGINEER



LEGEND

← DIRECTION OF TRAFFIC FLOW

NOTES:

1. TWO (2) APPLICATIONS OF FINAL PAVEMENT MARKINGS WILL BE REQUIRED ON ALL ALTERNATIVE TREATMENTS. THE FIRST APPLICATION WILL BE IMMEDIATELY FOLLOWING PLACEMENT OF THE WEARING COURSE. THE SECOND AND FINAL APPLICATION WILL BE APPLIED NO SOONER THAN 14 CALENDER DAYS AFTER THE FIRST APPLICATION, AND NO LATER THAN OCTOBER 30, 2010.
2. NOTE 115 APPLICABLE TO THE FINAL PAVEMENT MARKINGS FOR THE SOUTHBOUND LANES ONLY WHICH ARE USING PERMANENT PAINT FOR THE MARKINGS.

NOT TO SCALE

PAVEMENT MARKING DETAIL SHEET

PROJECT NAME: BERLIN - WATERBURY	PLOT DATE: 21-MAY-2010
PROJECT NUMBER: IM SURF (20)	DRAWN BY: WILDER
FILE NAME: /pave/09a382/p09a382.dgn	CHECKED BY: PAVT MGMT
PROJECT LEADER: MIKE FOWLER	SHEET 23 OF 63
DESIGNED BY: WILDER	
IPARM FILE NAME: p09a382_23.i	