

646.214 6 INCH WHITE LINE
 RAMP 'A' SOLID RT (1537')
 RAMP 'A' DASH (60')
 RAMP 'D' SOLID RT (1320')
 RAMP 'D' DOTTED (111')

646.215 6 INCH YELLOW LINE
 RAMP 'A' SOLID LT (1389')
 RAMP 'D' SOLID LT (1319')

646.24 12 INCH WHITE LINE
 RAMP 'A' GORE AREA (418')
 RAMP 'D' GORE AREA (803')

646.424 DURABLE 6 INCH WHITE LINE, POLYUREA

RAMP 'B' SOLID RT (1051')
 RAMP 'B' DOTTED (142')
 RAMP 'B' DASH (30')
 RAMP 'C' SOLID RT (1138')
 RAMP 'C' DASH (20')

646.434 DURABLE 6 INCH YELLOW LINE, POLYUREA

RAMP 'B' SOLID LT (1053')
 RAMP 'C' SOLID RT (1138')

646.464 DURABLE 12 INCH WHITE LINE, POLYUREA

RAMP 'B' GORE AREA (331')
 RAMP 'C' GORE AREA (200')

646.484 DURABLE 24 INCH STOP BAR, POLYUREA

RAMP 'B' (25')

646.494 DURABLE LETTER OR SYMBOL, POLYUREA

RAMP 'B' (S, T, O, P), (S, T, O, P)
 (A, H, E, A, D) (13 EA.)
 ← (1 EA.)

646.30 LETTER OR SYMBOL

RAMP 'D' (S, T, O, P), (S, T, O, P)
 (A, H, E, A, D) (13 EA.)
 ← (1 EA.)

646.26 24 INCH STOP BAR

RAMP 'D' (25')

646.620 TEMPORARY 6 INCH WHITE LINE

RAMP 'A' SOLID RT (1537')
 RAMP 'A' DASH (60')
 RAMP 'B' SOLID RT (1051')
 RAMP 'B' DOTTED (142')
 RAMP 'B' DASH (30')
 RAMP 'C' SOLID RT (1138')
 RAMP 'C' DASH (20')
 RAMP 'D' SOLID RT (1320')
 RAMP 'D' DOTTED (111')

646.630 TEMPORARY 6 INCH YELLOW LINE

RAMP 'A' SOLID LT (1389')
 RAMP 'B' SOLID LT (1053')
 RAMP 'C' SOLID RT (1138')
 RAMP 'D' SOLID LT (1319')

646.660 TEMPORARY 12 INCH WHITE LINE

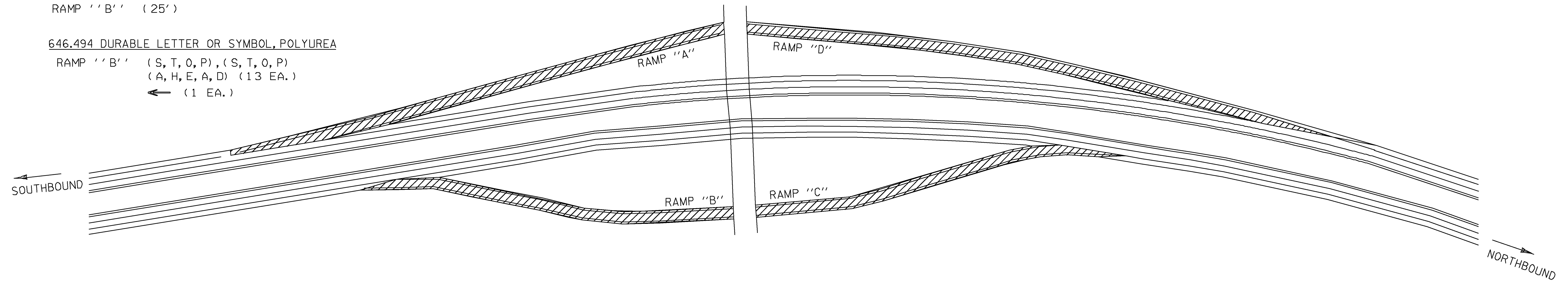
RAMP 'A' GORE AREA (418')
 RAMP 'B' GORE AREA (331')
 RAMP 'C' GORE AREA (200')
 RAMP 'D' GORE AREA (803')

646.690 TEMPORARY LETTER OR SYMBOL

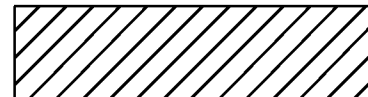
RAMP 'B' (S, T, O, P), (S, T, O, P)
 (A, H, E, A, D) (13 EA.)
 ← (1 EA.)
 RAMP 'D' (S, T, O, P), (S, T, O, P)
 (A, H, E, A, D) (13 EA.)
 ← (1 EA.)

646.680 TEMPORARY 24 INCH STOP BAR

RAMP 'B' (25')
 RAMP 'D' (25')



NOT TO SCALE

 = WORK AREA

**INTERCHANGE #9
 PAVEMENT MARKINGS**

PROJECT NAME: BERLIN - WATERBURY

PROJECT NUMBER: IM SURF (20)

FILE NAME: /pave/09a382/p09a382.dgn

PROJECT MANAGER: MIKE FOWLER

DESIGNED BY: WILDER

IPARM FILE NAME: p09a382_16.i

PLOT DATE: 21-MAY-2010

DRAWN BY: WILDER

CHECKED BY: PAVT MGMT

SHEET 16 OF 63