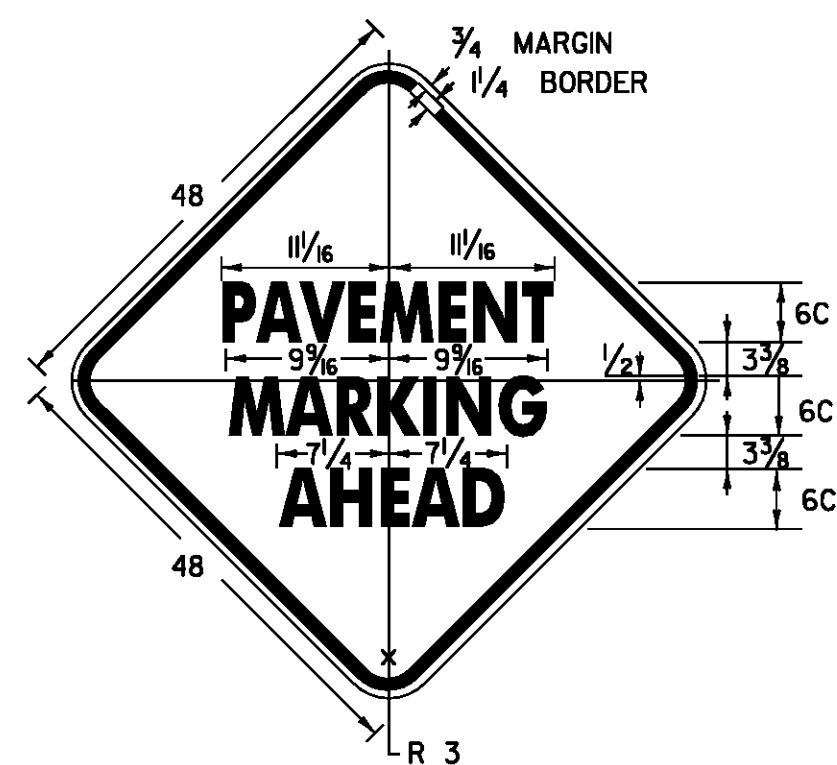
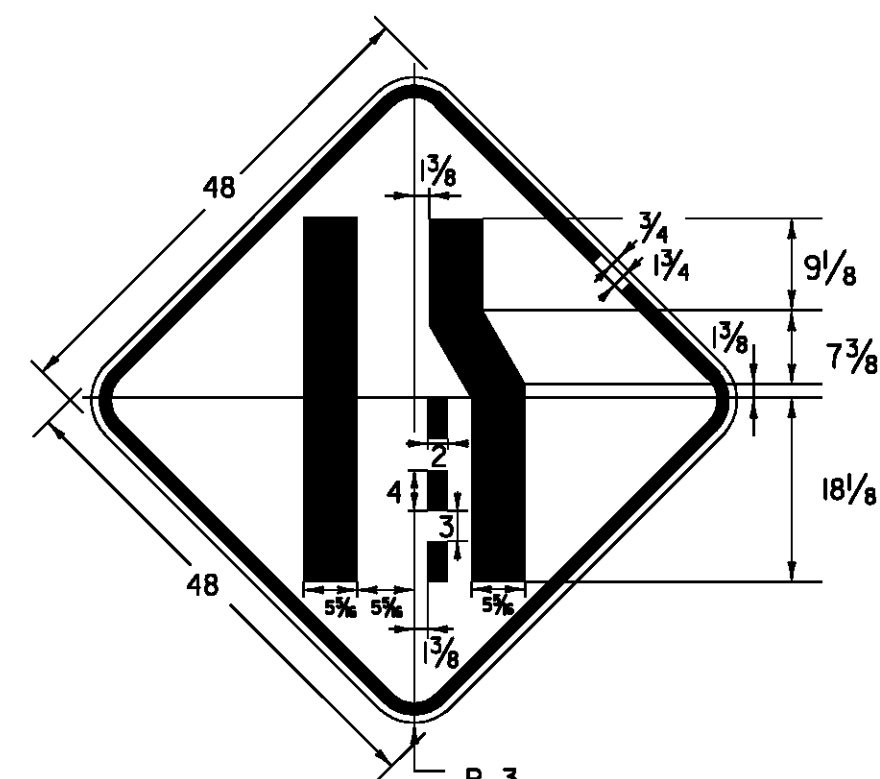


# TRAFFIC CONTROL DEVICES



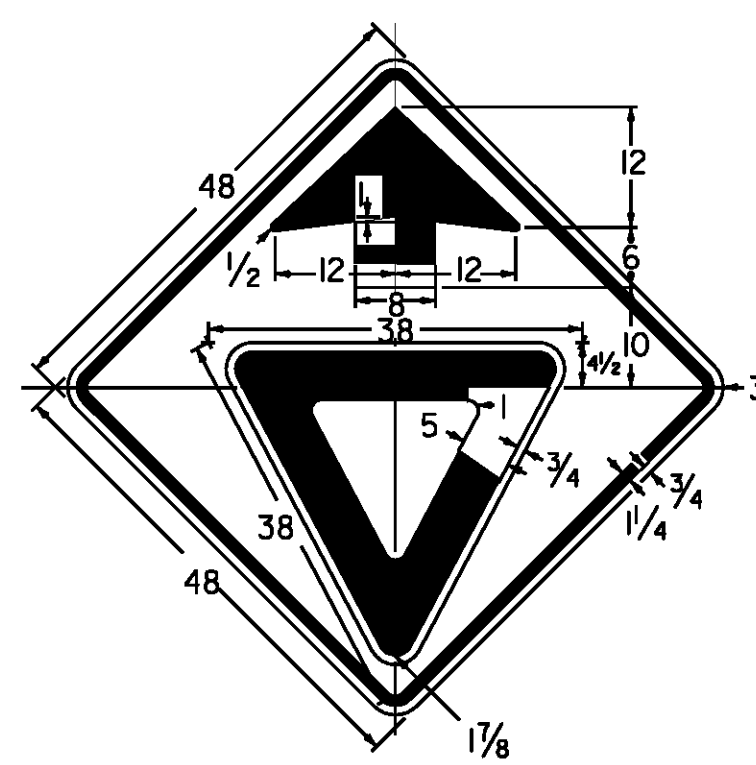
**VC-813**

**COLORS**  
 BORDER AND TEXT - BLACK  
 BACKGROUND - ORANGE  
 (RETROREFLECTIVE)



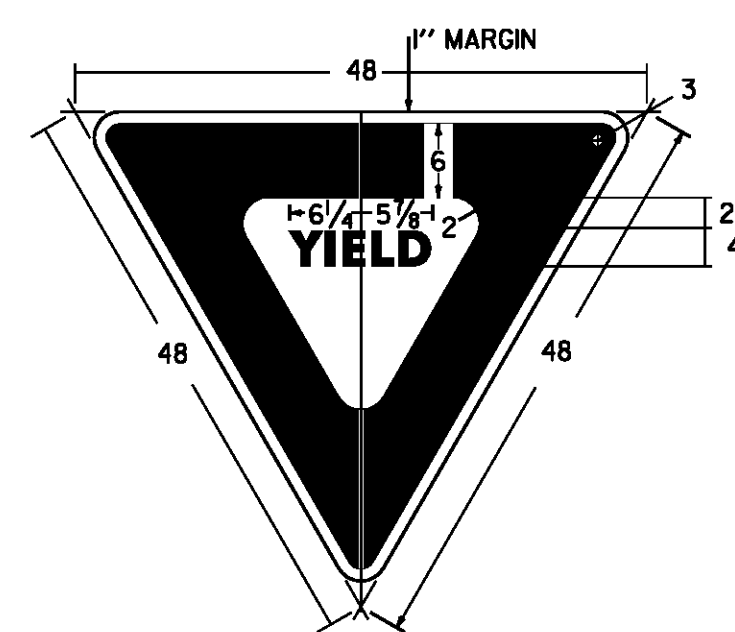
**W4-2**

**COLORS**  
 BORDER AND TEXT - BLACK  
 BACKGROUND - ORANGE  
 (RETROREFLECTIVE)



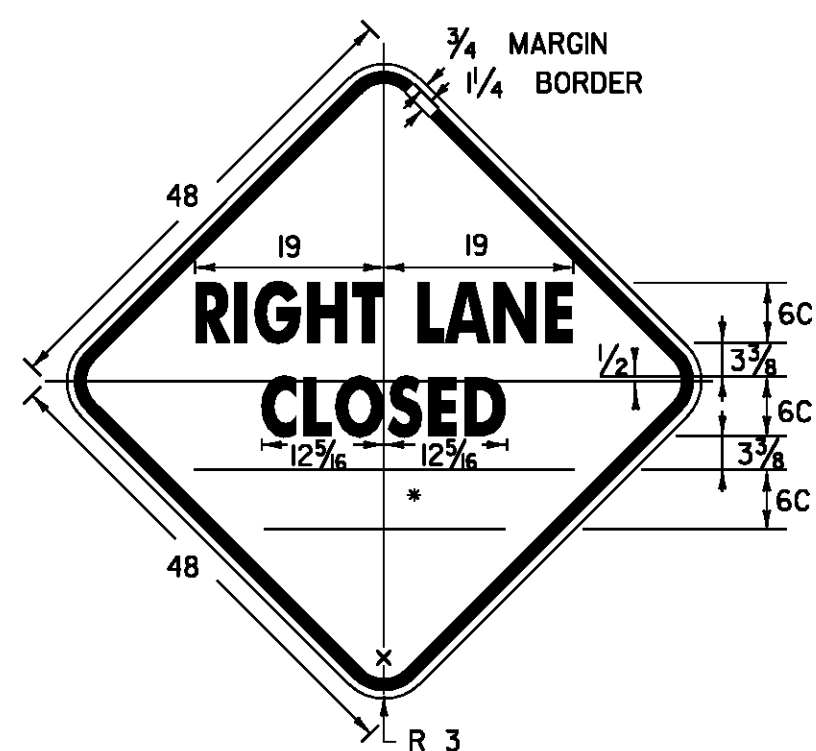
**W3-2**

**COLORS**  
 BORDER AND ARROW - BLACK  
 SYMBOL - WHITE BORDER/RED BACKGROUND  
 (RETROREFLECTIVE)  
 BACKGROUND - ORANGE  
 (RETROREFLECTIVE)



**R1-2**

**COLORS**  
 LEGEND AND BORDER - RED (RETROREFLECTIVE)  
 BACKGROUND - WHITE (RETROREFLECTIVE)

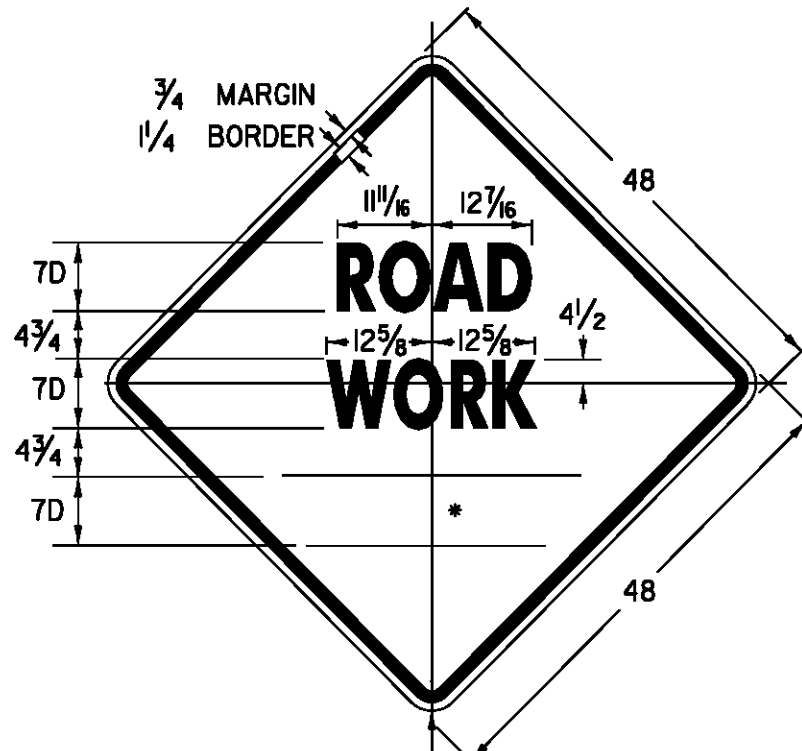


**W20-5**

**LEFT LANE**

• SEE DISTANCE DETAILS

**COLORS**  
 BORDER AND TEXT - BLACK  
 BACKGROUND - ORANGE  
 (RETROREFLECTIVE)



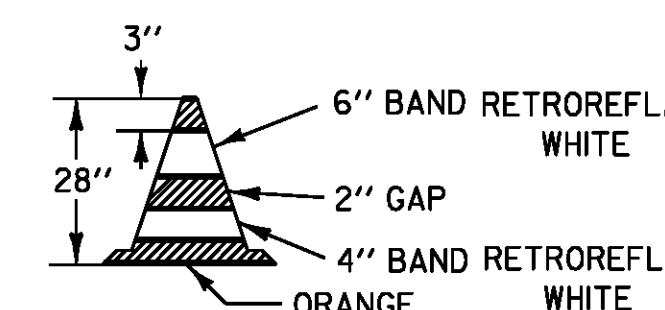
**W20-1**

• SEE DISTANCE DETAILS

**COLORS**  
 BORDER AND TEXT - BLACK  
 BACKGROUND - ORANGE  
 (RETROREFLECTIVE)



SEE TYPICAL APPLICATION 42  
 MUTCD 2003 (REV.)

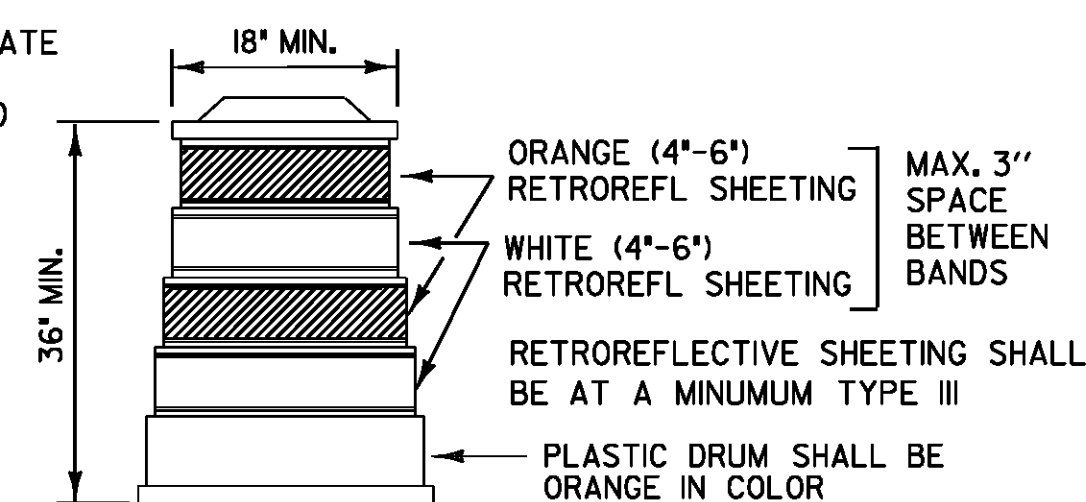


**NOTES**

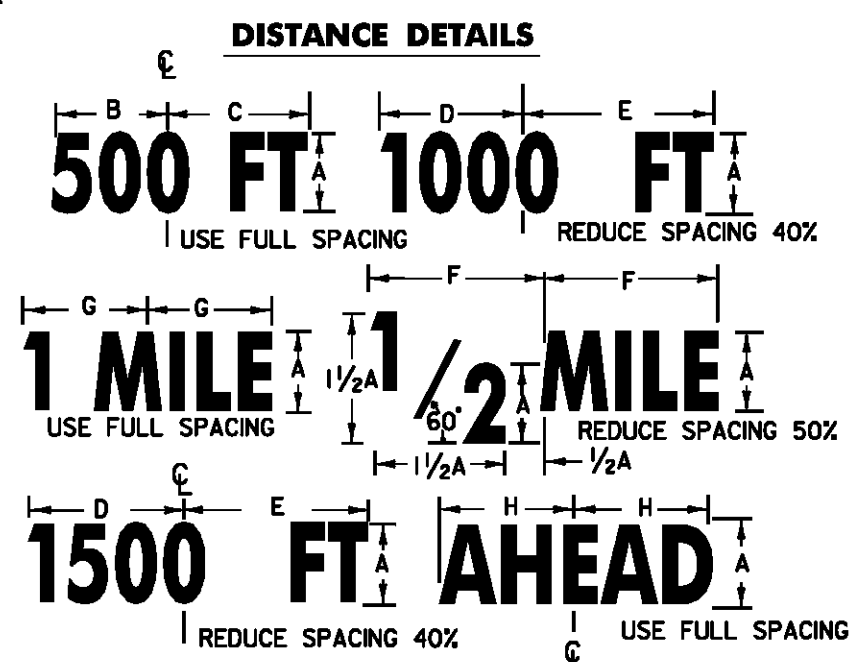
- 28" CONES SHALL BE USED ON ROADWAYS WITH SPEED LIMITS OF 35 MPH OR MORE AND ON ALL ROADWAYS DURING HOURS OF DARKNESS.
- CONES MAY BE WEIGHTED TO PREVENT OVERTURNING, HOWEVER THE WEIGHTS SHALL NOT PRESENT A HAZARD IF THE CONE IS STRUCK.
- RETROREFLECTIVE SHEETING SHALL BE AT A MINIMUM ASTM TYPE III.

**28" REFLECTORIZED CONE**

SAND BAGS OR AN APPROPRIATE BALLASTING DEVICE, WHICH DOES NOT PRESENT A HAZARD TO THE IMPACTING VEHICLE OR BECOME A PROJECTILE UPON IMPACT, SHALL BE USED TO WEIGHT DRUMS.



**REFLECTORIZED PLASTIC DRUM**



DIMENSIONS (INCHES)							
A	B	C	D	E	F	G	H
7D	14 1/4	15 1/8	14 7/8	15 3/4	15 3/4	13 1/16	15 1/2

**NOTES**

- ALL SIGNS SHALL BE PORTABLE. ALL SIGN SUPPORT SYSTEMS SHALL BE NCHRP-350 COMPLIANT. ALL SIGNS SHALL BE PLACED BEFORE ANY WORK BEGINS OR EQUIPMENT IS PUT IN THE ROADWAY. SIGNS SHALL BE COVERED OR REMOVED WHEN NOT APPLICABLE.
- PORTABLE SIGNS SHALL BE KEPT LEVEL AND VERTICAL TO THE TRAVELING PUBLIC WHEN PLACED ON THE EDGE OF ROADWAY.
- SAND BAGS OR AN APPROPRIATE BALLASTING DEVICE WHICH DOES NOT PRESENT A HAZARD TO THE IMPACTING VEHICLE OR BECOME A PROJECTILE UPON IMPACT, MAY BE USED TO WEIGHT SIGNS.
- ALL SIGNING AND DELINEATION DEVICES, AS DETAILED ON THIS SHEET, AND AS REQUIRED BY THE RESIDENT ENGINEER, SHALL BE PAID UNDER ITEM 6410 (TRAFFIC CONTROL).
- WARNING LIGHTS SHALL NOT BE USED ON CHANNELIZING DEVICES.

**NOT TO SCALE**

<b>TRAFFIC CONTROL DEVICES</b>	PROJECT: <b>STATEWIDE</b>	PROJECT NO.: <b>IMG MARK(110)</b>
	DESIGN FILE NAME: p09a328.dgn IPARM FILE NAME: p09a328tcd.1 SURVEYED BY: SQUAD LEADER: A GAMBLE	PLOT DATE: 19-JAN-2010 SURVEY DATE: DRAWN BY: KAS SHEET: 8 OF 29