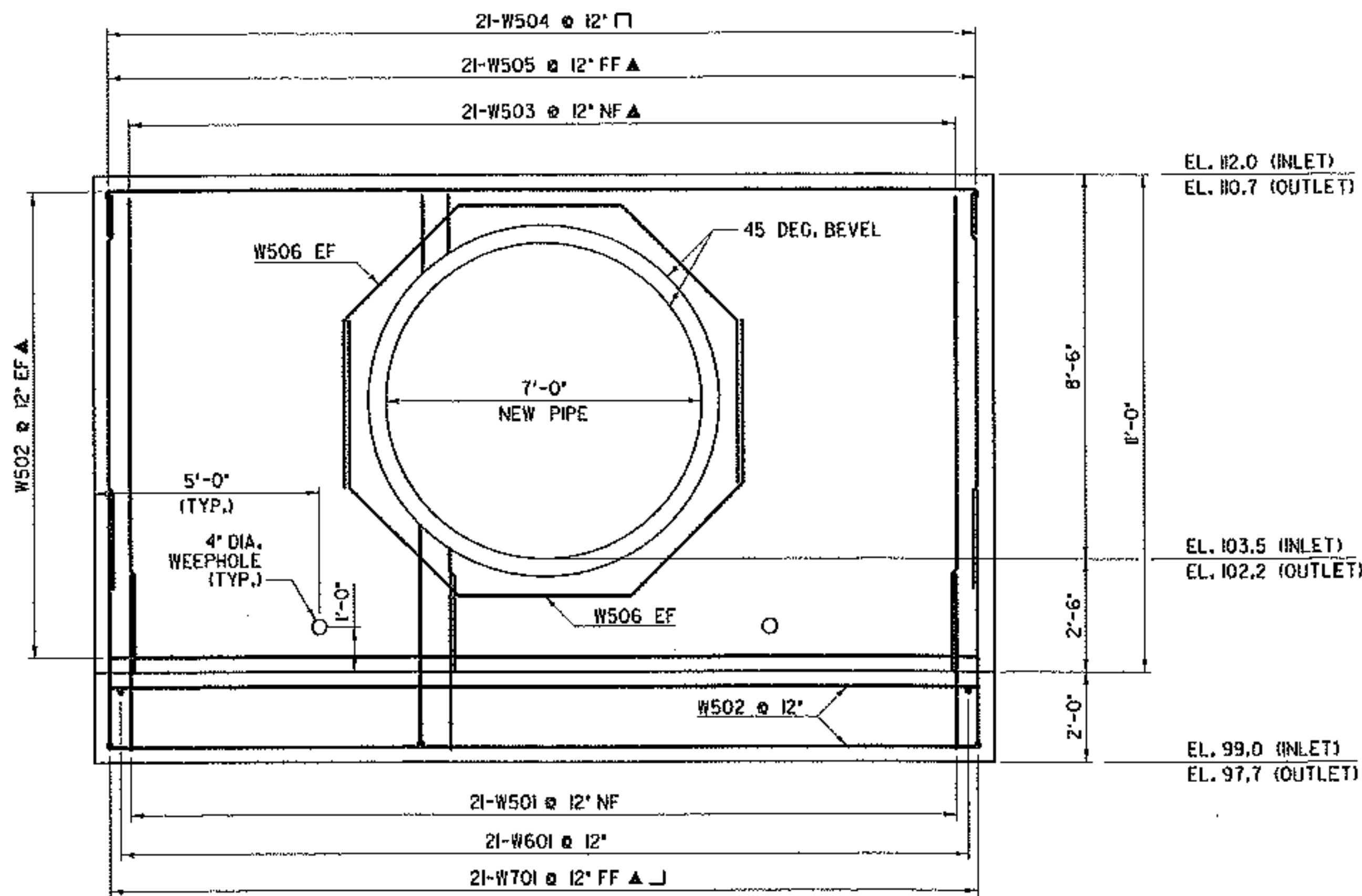
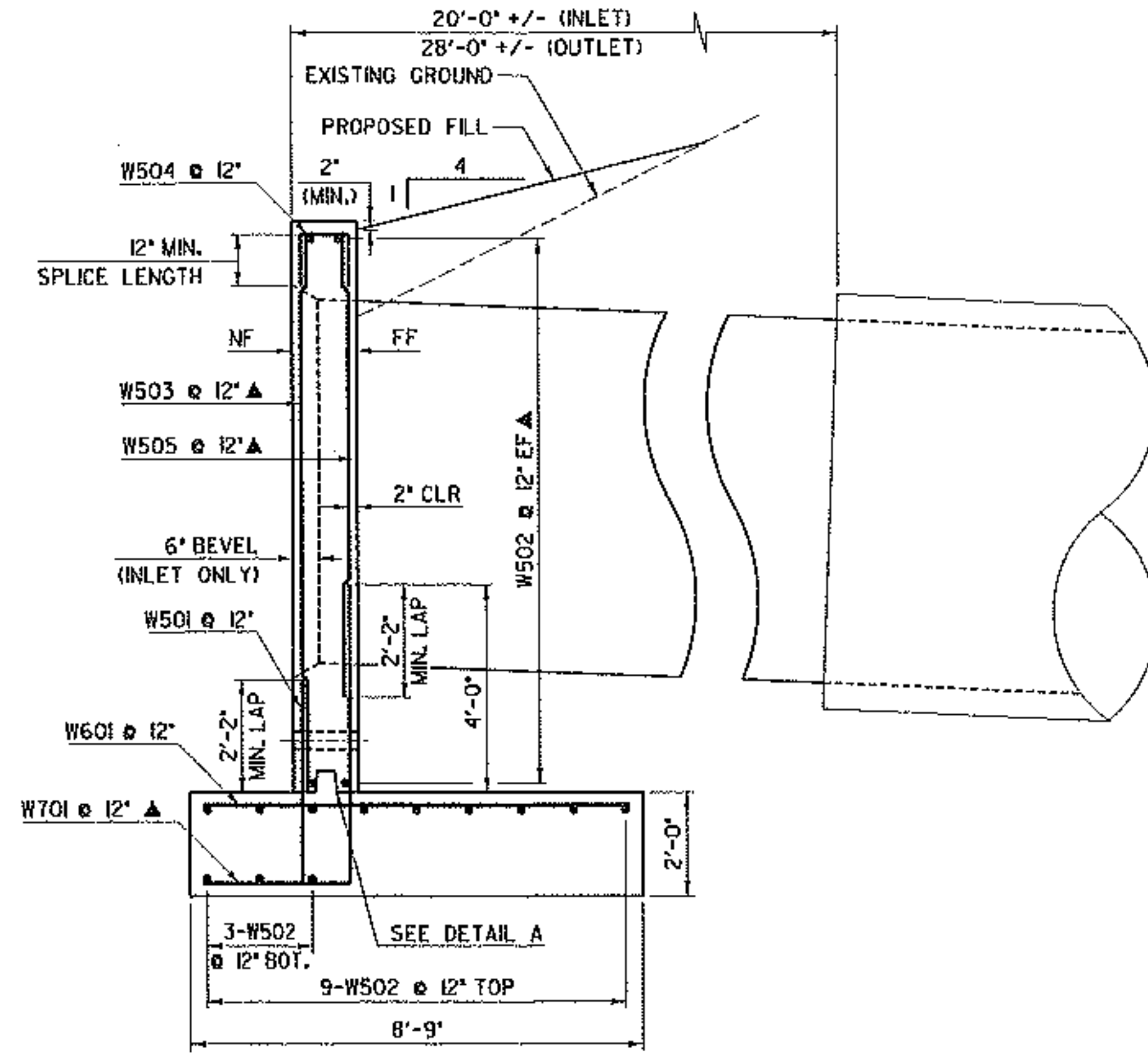


Handwritten notes: *Handwritten notes: Part of D.M.P. Sewer Pipe elevated*



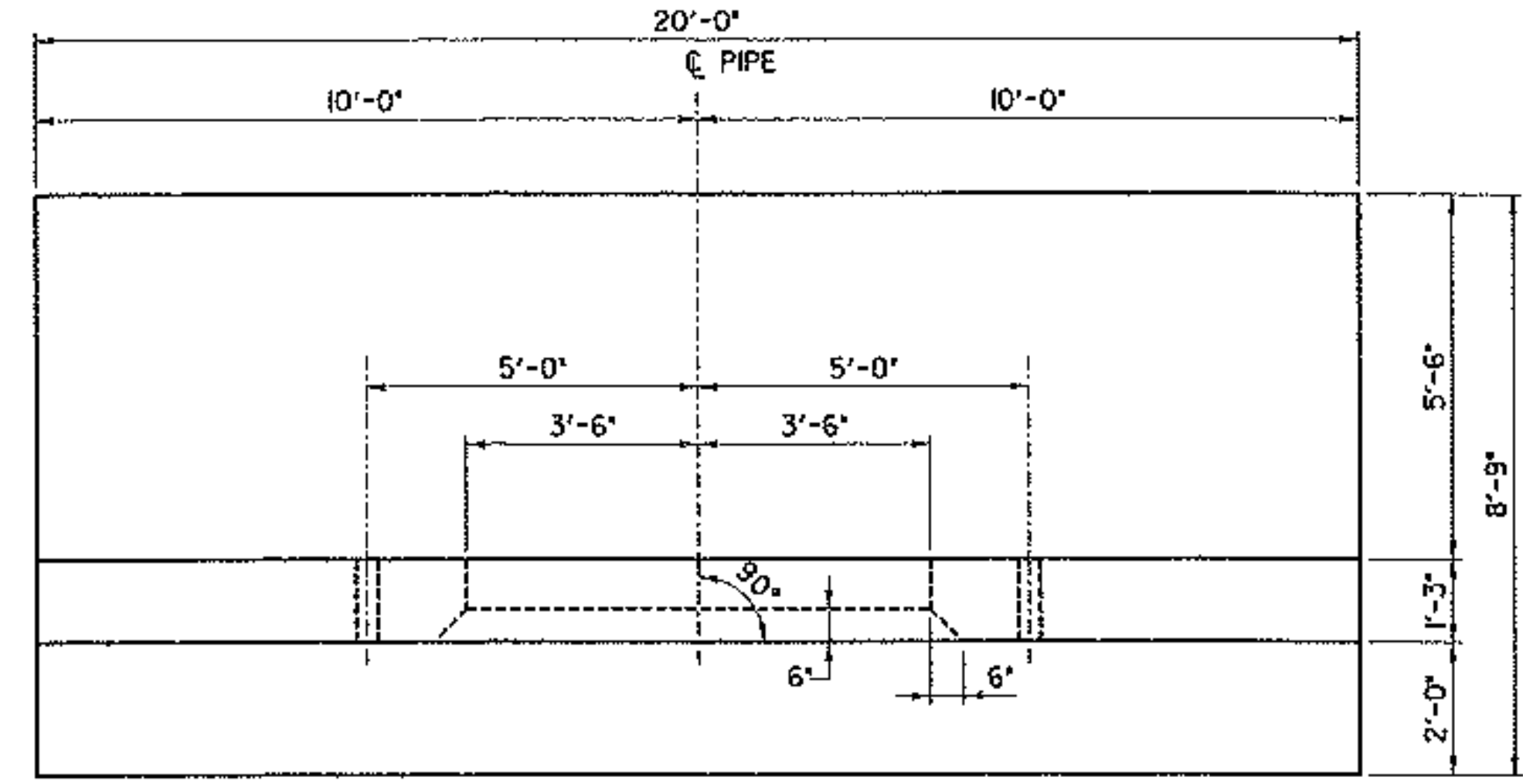
HEADWALL ELEVATION (INLET & OUTLET)

SCALE: 1/2" = 1'-0"
 1 0 2



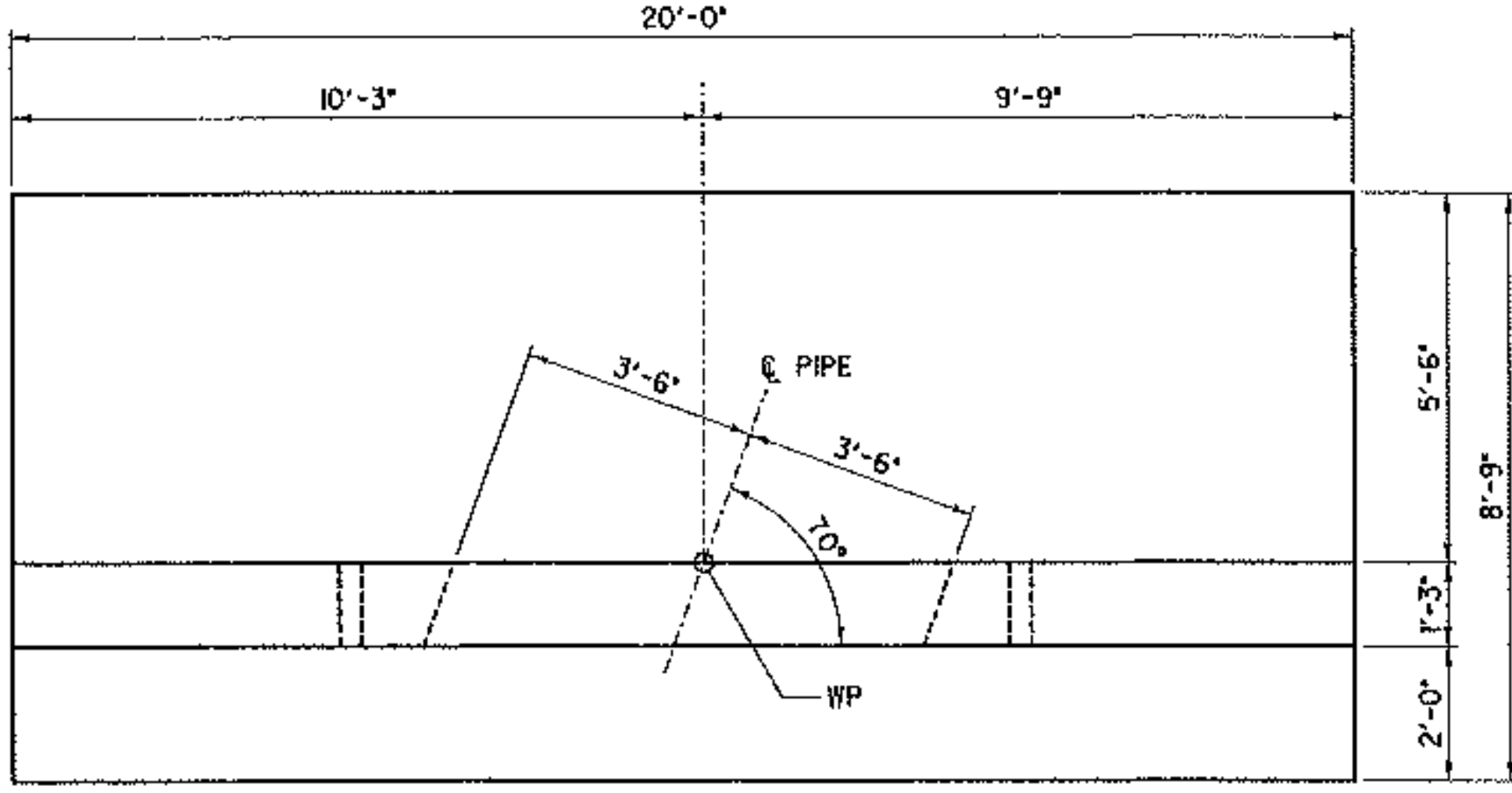
HEADWALL SECTION (INLET & OUTLET)

SCALE: 1/2" = 1'-0"
 1 0 2



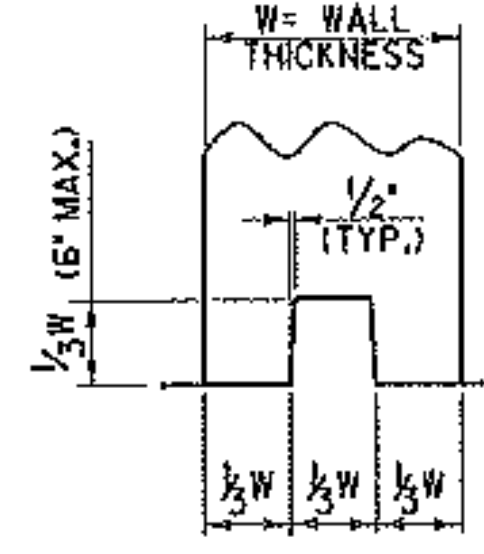
HEADWALL PLAN (INLET)

SCALE: 1/2" = 1'-0"
 1 0 2



HEADWALL PLAN (OUTLET)

SCALE: 1/2" = 1'-0"
 1 0 2



DETAIL A
 NOT TO SCALE

NOTE:
 NF = NEAR FACE
 FF = FAR FACE
 EF = EACH FACE
 ▲ = CUT TO FIT IN FIELD
 3" CLR. UNLESS OTHERWISE SPECIFIED ON THE PLANS.



PROJECT NAME: SOUTH BURLINGTON - COLCHESTER
 PROJECT NUMBER: IM CULV (23)
 FILE NAME: ... \CULV_23.SHEET.dgn
 PROJECT LEADER: G. BOGUE
 DESIGNED BY: M. CHENETTE
 REVISED HEADWALL DETAILS 1 - BR 75-3

PLOT DATE: 8/25/2018
 DRAWN BY: J. SOTER
 CHECKED BY: G. BOGUE
 SHEET 1 OF 3