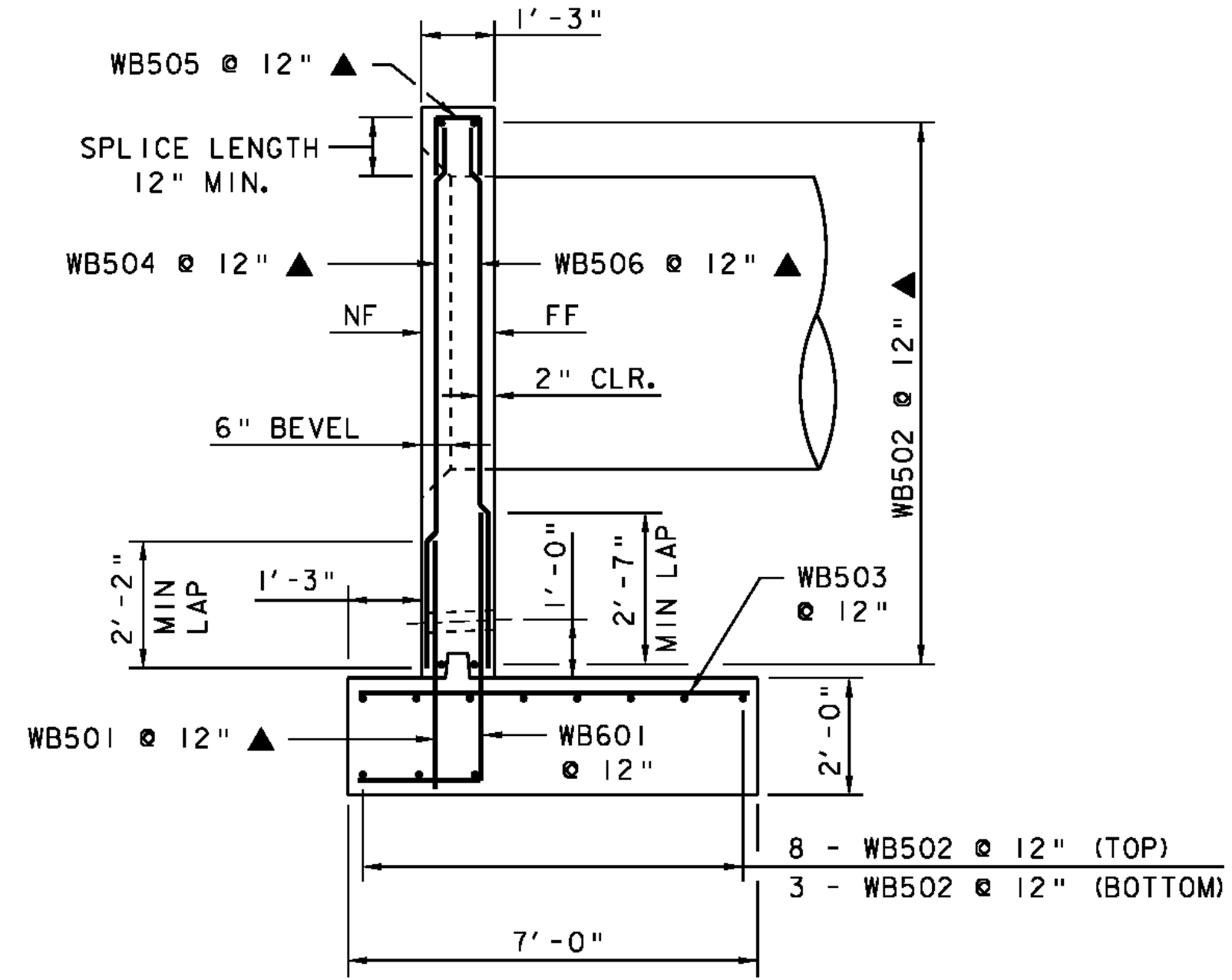
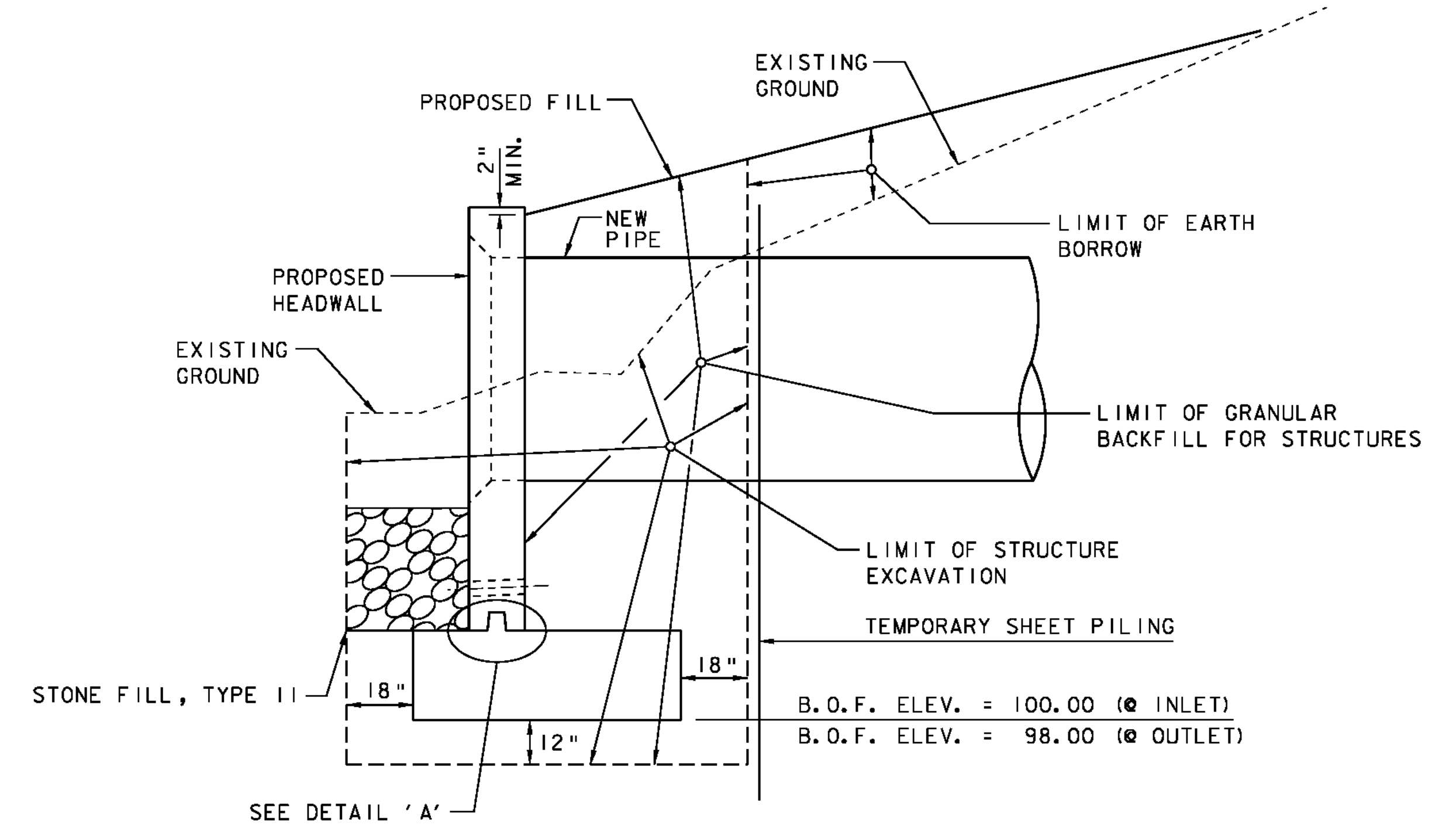


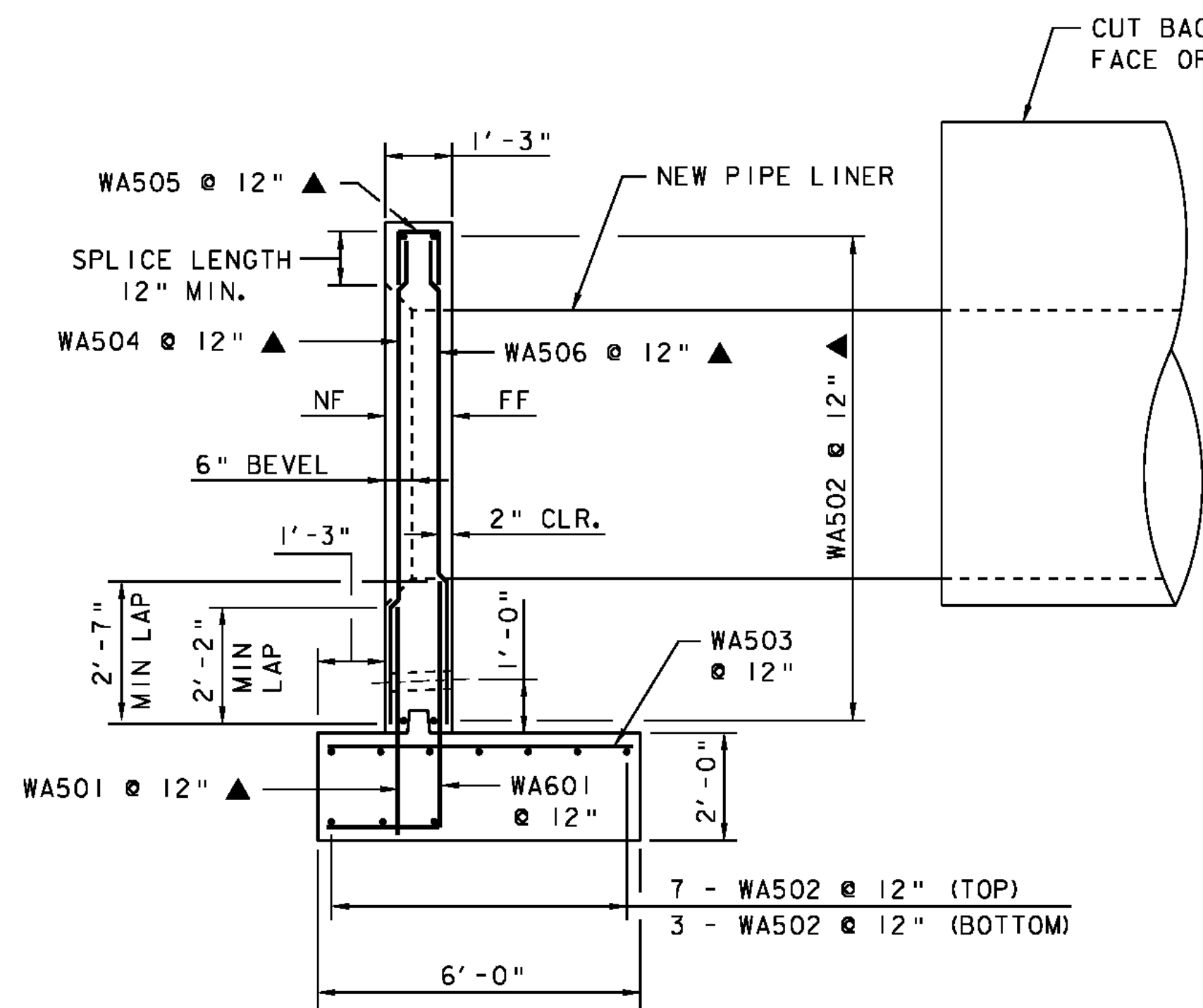
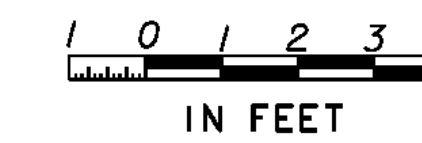
HEADWALL SECTION - INLET
(AT NEW 60" TRENCHLESS CULVERT)



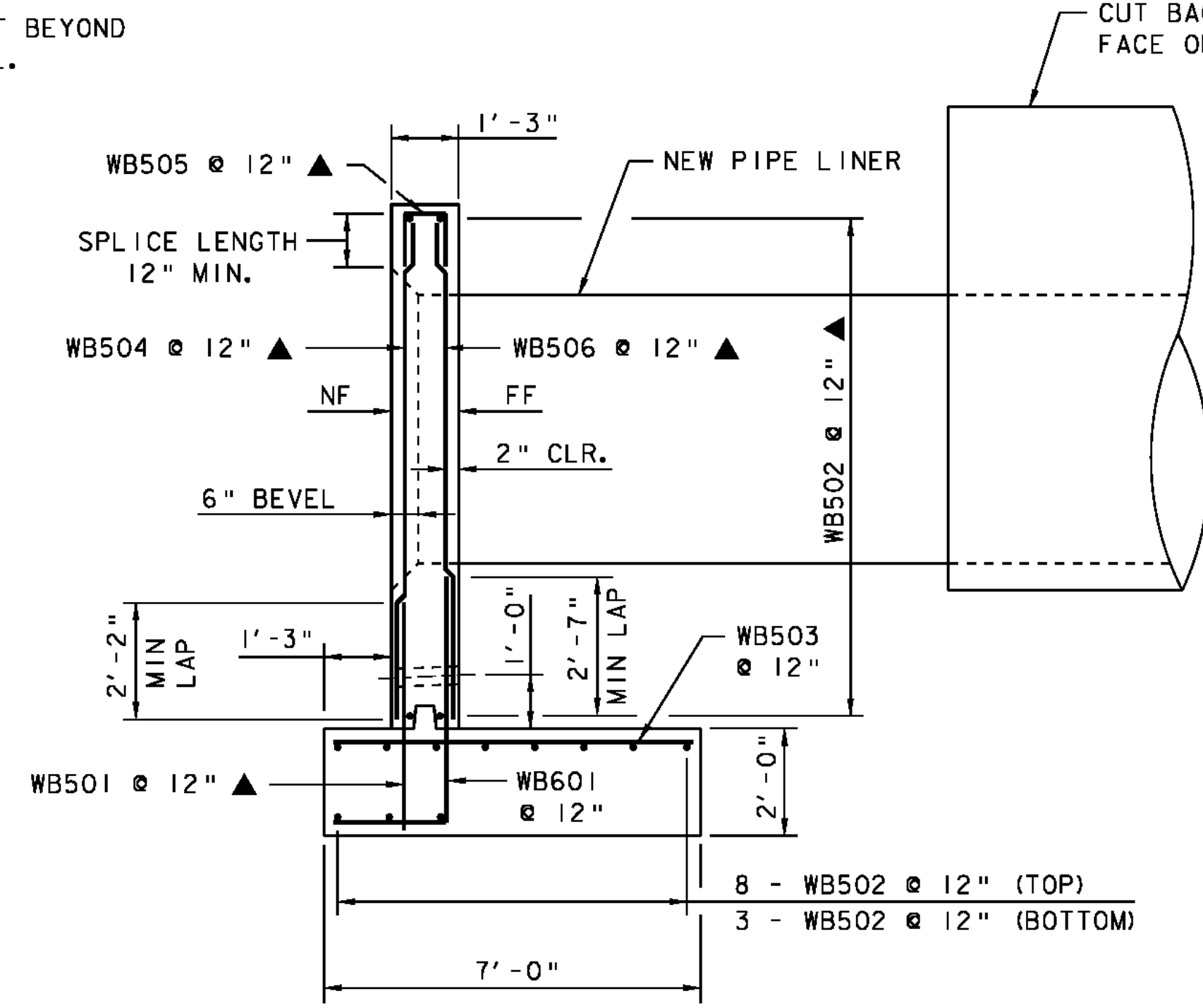
HEADWALL SECTION - OUTLET
(AT NEW 60" TRENCHLESS CULVERT)



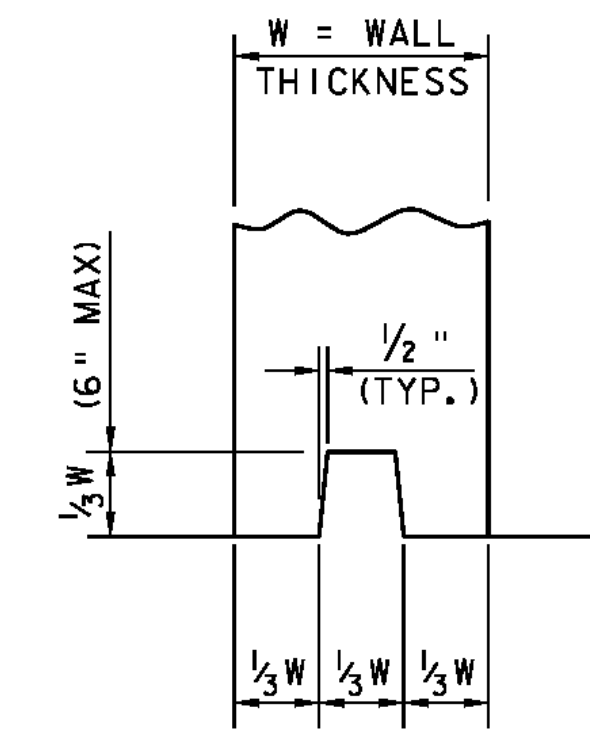
EARTHWORK SECTION
(EARTHWORK)



HEADWALL SECTION - INLET
(AT NEW 60" CAAP LINER)



HEADWALL SECTION - OUTLET
(AT NEW 60" CAAP LINER)



DETAIL 'A'
NOT TO SCALE

NOTE:
 NF - NEAR FACE
 FF - FAR FACE
 EF - EACH FACE
 ▲ - CUT TO FIT IN FIELD
 3" CLR. UNLESS OTHERWISE SPECIFIED ON THE PLANS.

PROJECT NAME:	SO. BURLINGTON - COLCHESTER
PROJECT NUMBER:	IM CULV (23)
FILE NAME:	headwall_colchester.dgn
PROJECT LEADER:	D. BENOIT
DESIGNED BY:	W. DURACK
HEADWALL DETAILS SHEET 3 - COLCH. 75-3	
PLOT DATE:	08-FEB-2011
DRAWN BY:	S. MERKWAN
CHECKED BY:	D. BENOIT
SHEET	34 OF 36

