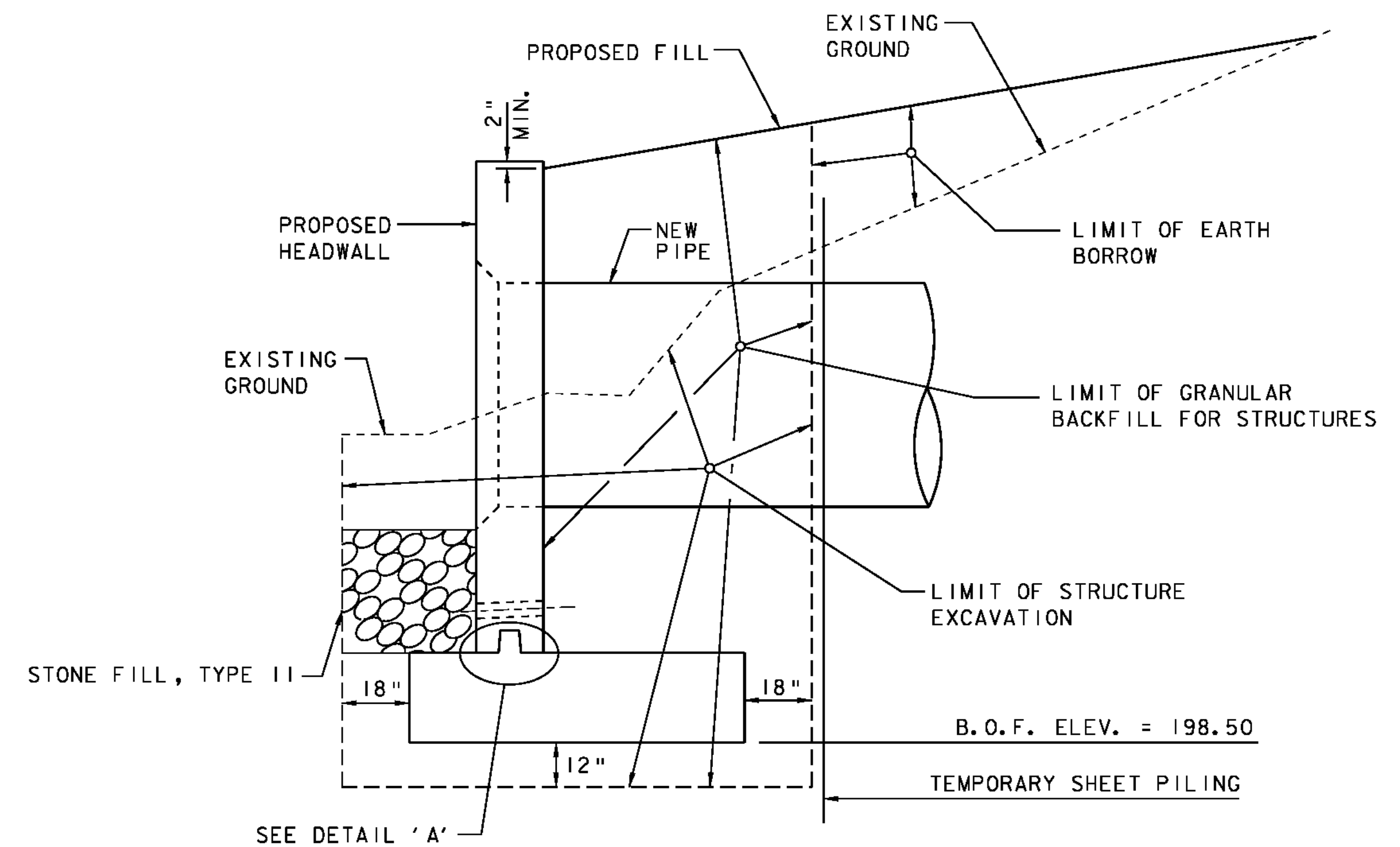
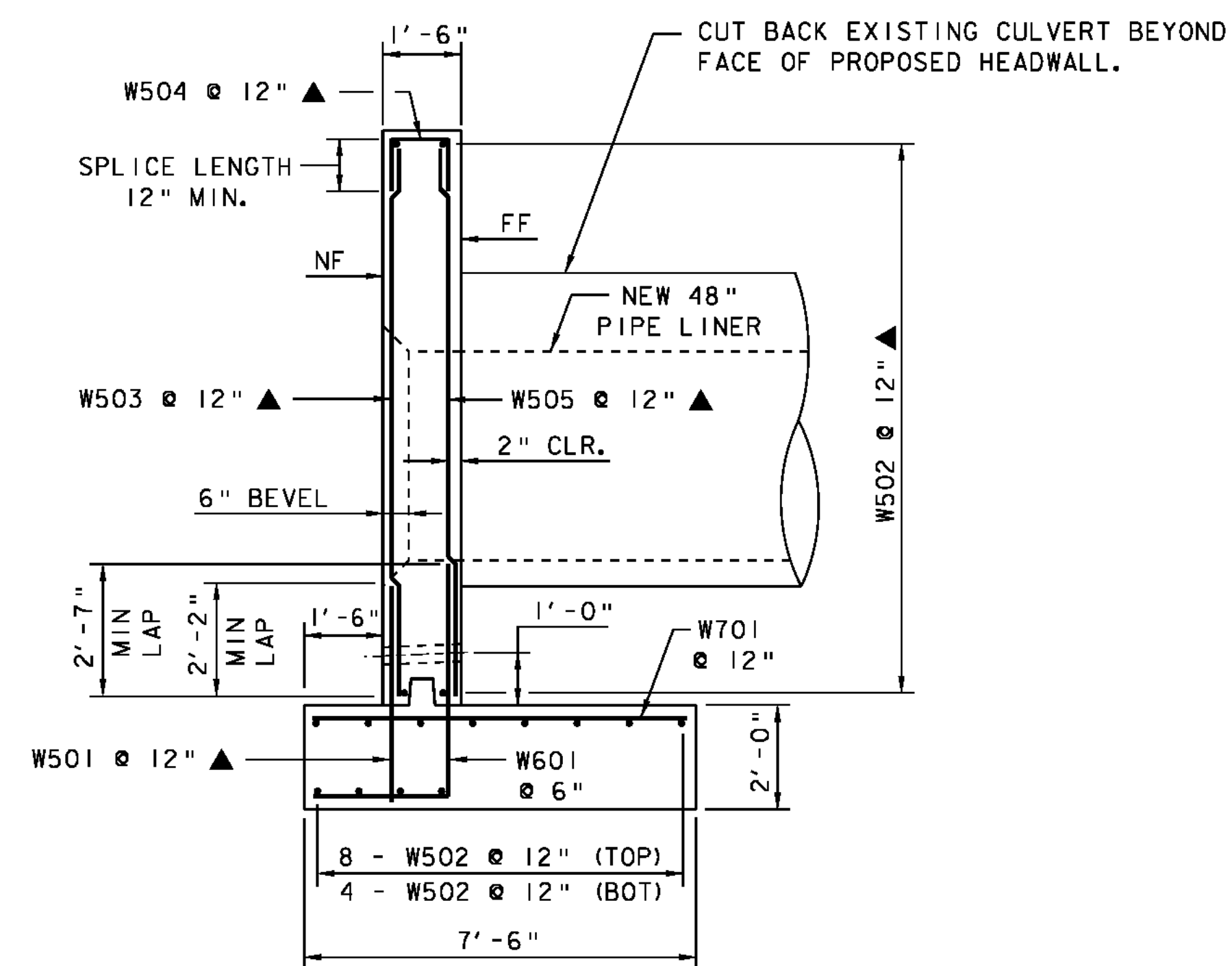


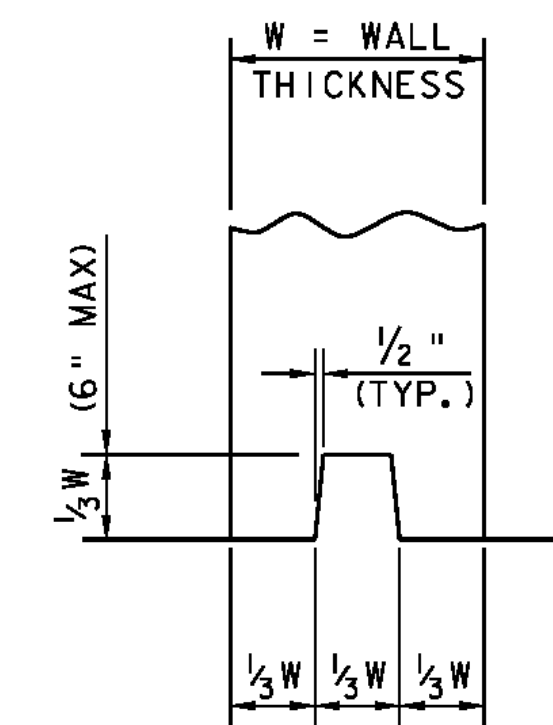
HEADWALL SECTION - INLET
(AT NEW 60" SMOOTH WALL CULVERT)



HEADWALL SECTION - INLET
(EARTHWORK)



HEADWALL SECTION - INLET
(AT NEW 48" CAAP LINER)



DETAIL 'A'
NOT TO SCALE

NOTE:

- NF = NEAR FACE
- FF = FAR FACE
- EF = EACH FACE
- ▲ = CUT TO FIT IN FIELD
- 3" CLR. UNLESS OTHERWISE SPECIFIED ON THE PLANS.

PROJECT NAME: SO. BURLINGTON - COLCHESTER
PROJECT NUMBER: IM CULV (23)

FILE NAME: Headwall S Burlington.dgn PLOT DATE: 08-FEB-2011
PROJECT LEADER: D. BENOIT DRAWN BY: S. MERKWAN
DESIGNED BY: W. DURACK CHECKED BY: D. BENOIT
HEADWALL DETAILS SHEET 2 - SO. BURL. 69-1 SHEET 31 OF 36

