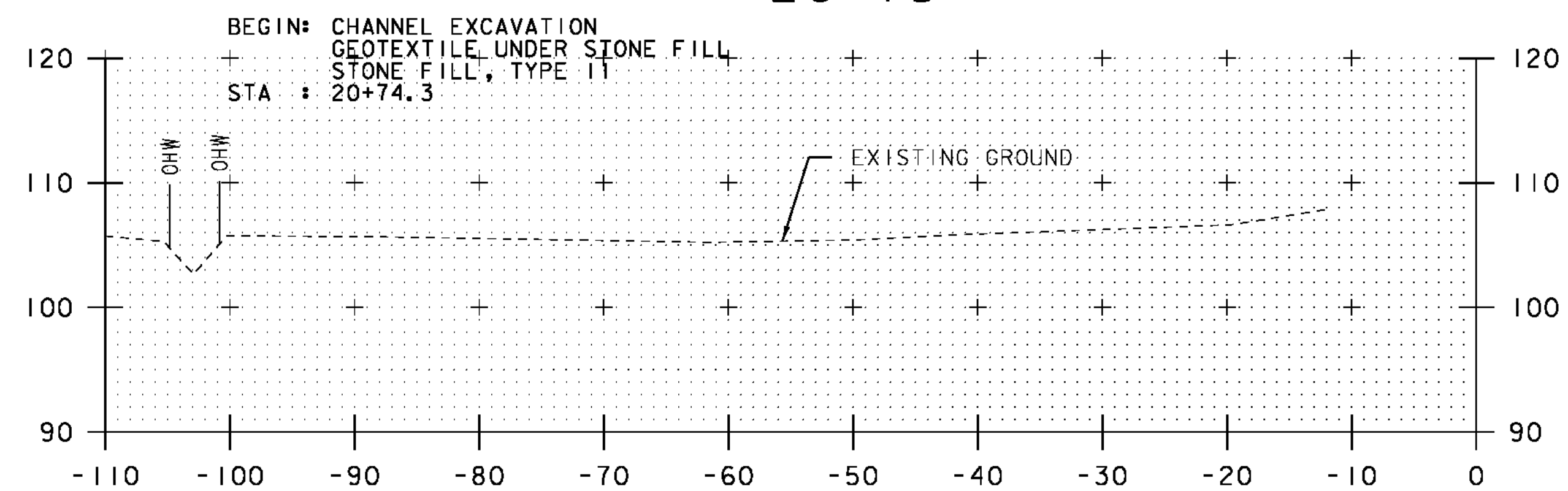
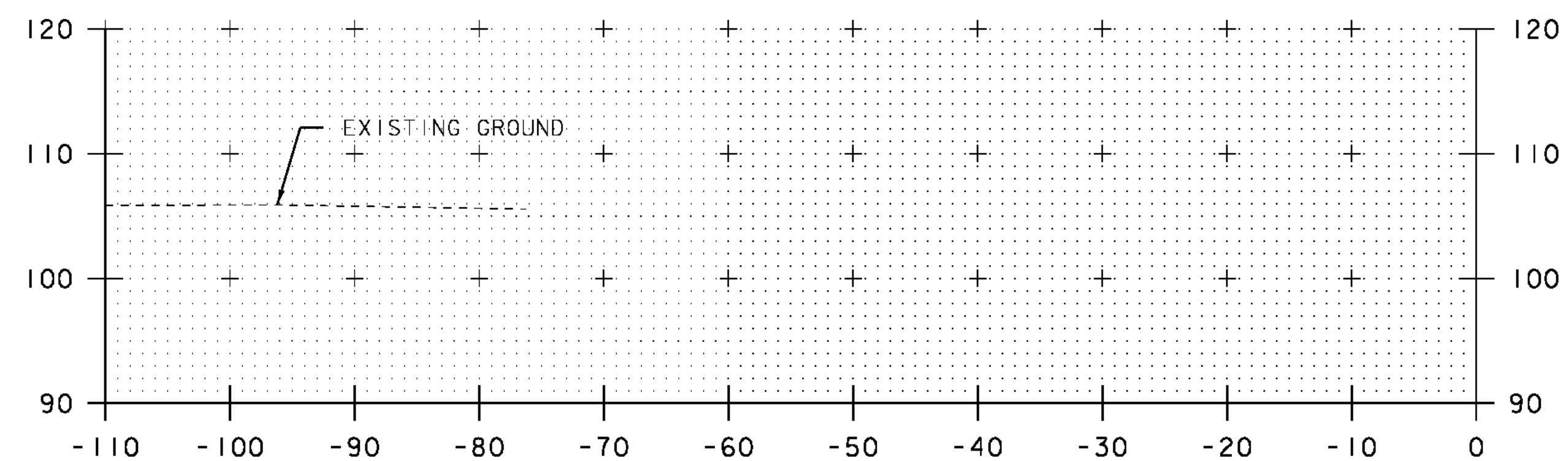


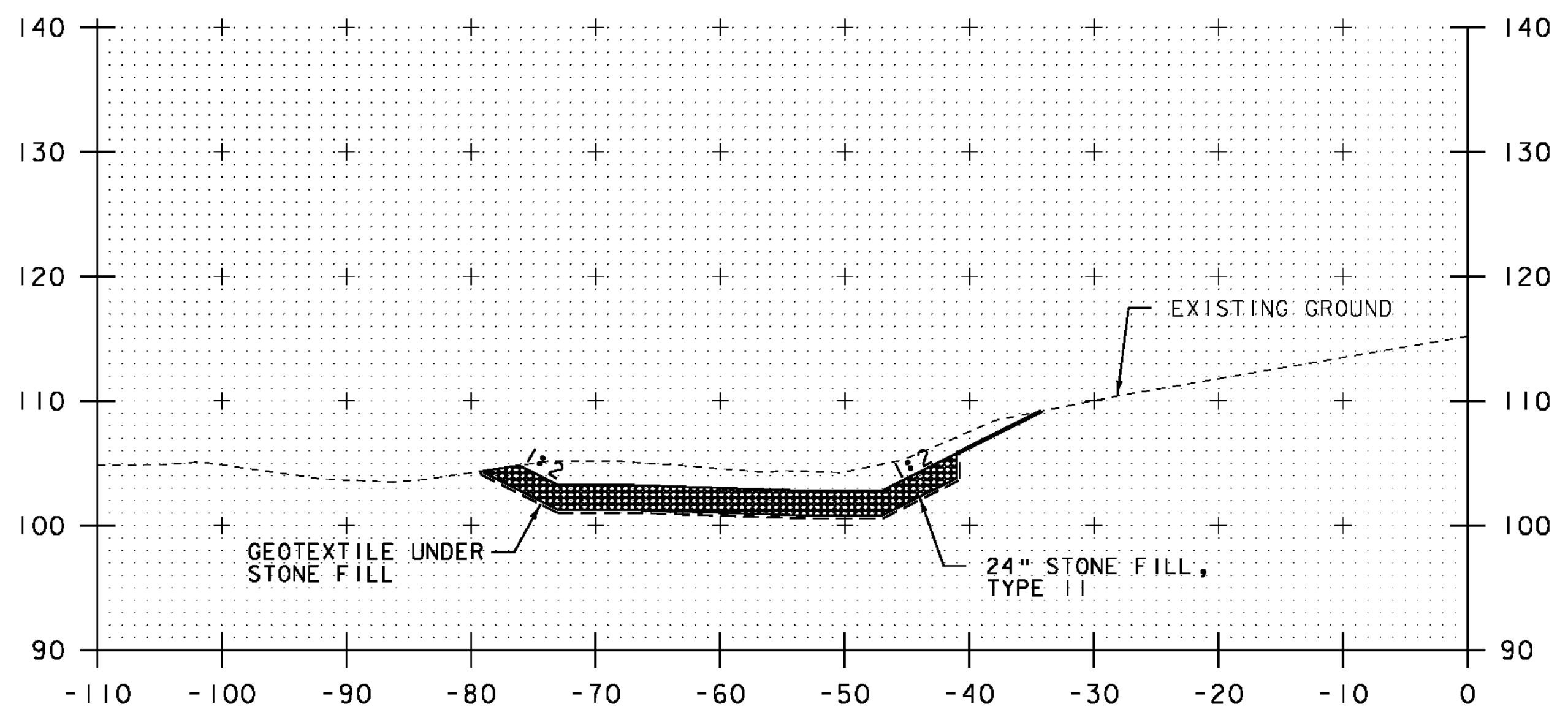
20+75



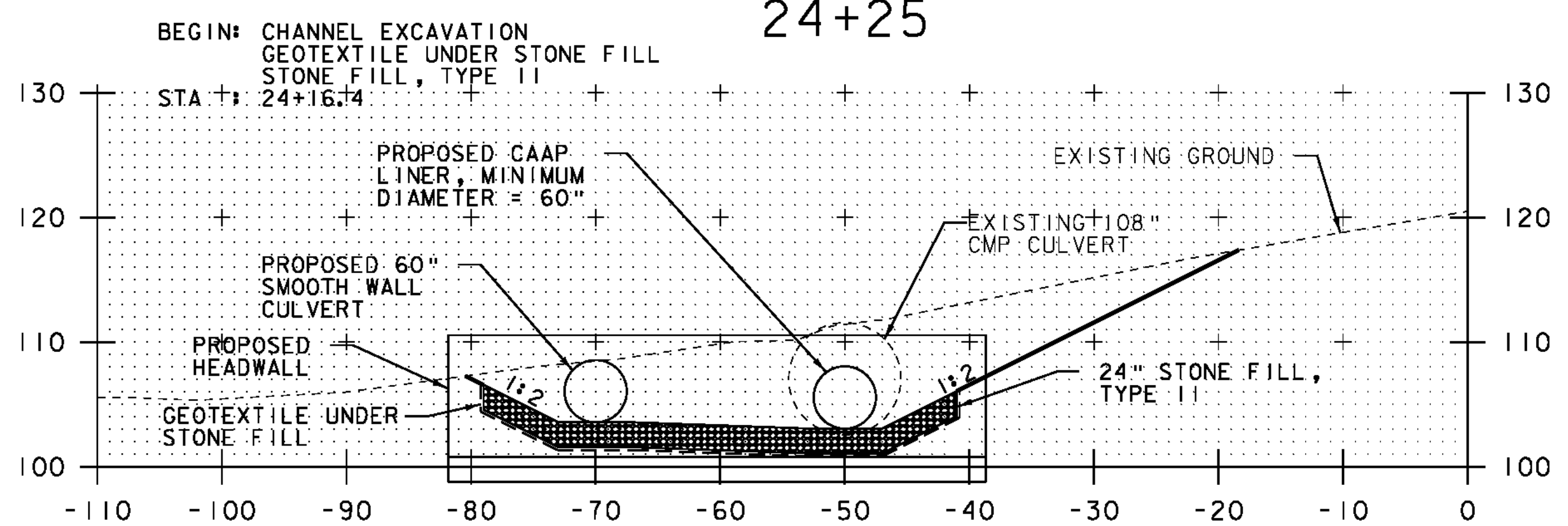
20+50



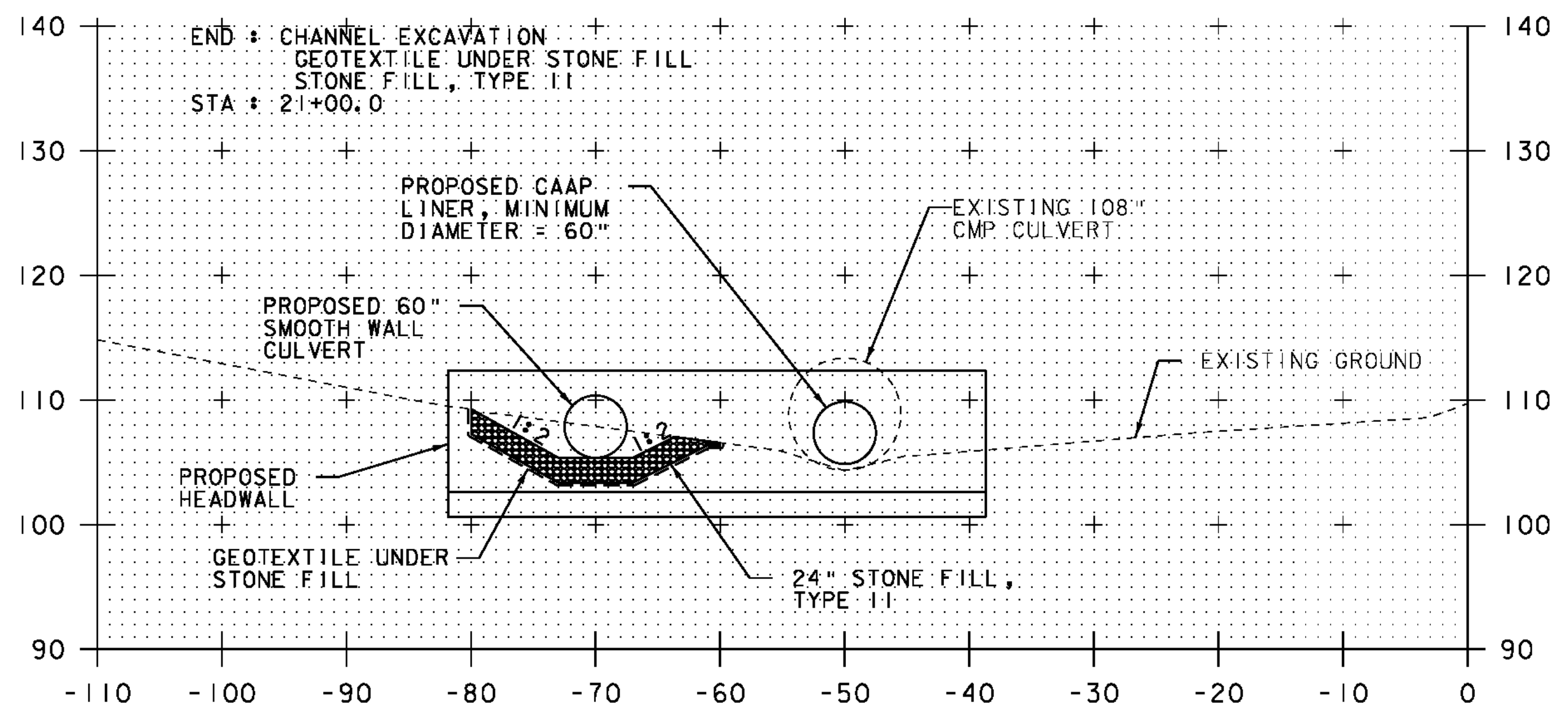
20+25



24+25



24+22



21+00

STA. 20+25 TO STA. 24+25

| | |
|---|------------------------|
| PROJECT NAME: SO. BURLINGTON - COLCHESTER | |
| PROJECT NUMBER: IM CULV (23) | |
| FILE NAME: z09a046xs.dgn | PLOT DATE: 08-FEB-2011 |
| PROJECT LEADER: D. BENOIT | DRAWN BY: R. HALEY |
| DESIGNED BY: R. HALEY | CHECKED BY: D. BENOIT |
| CROSS SECTIONS - COLCHESTER 75-3 | SHEET 23 OF 36 |

