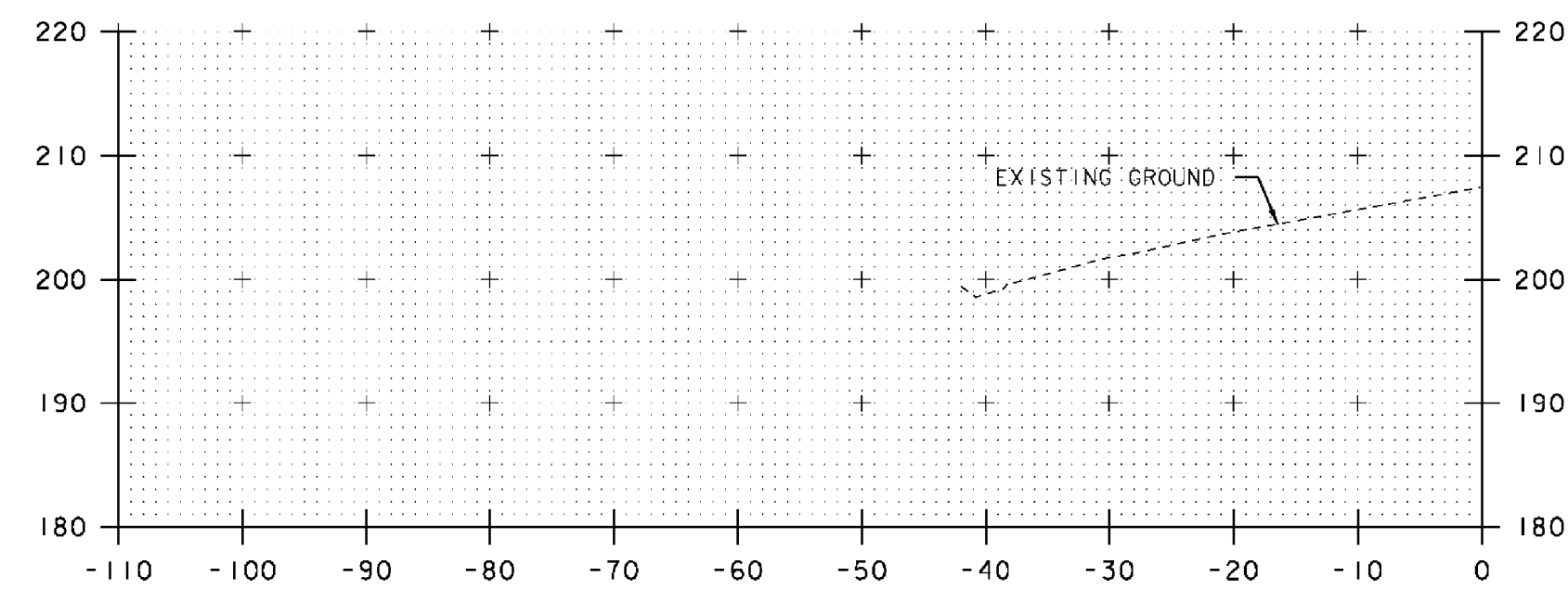
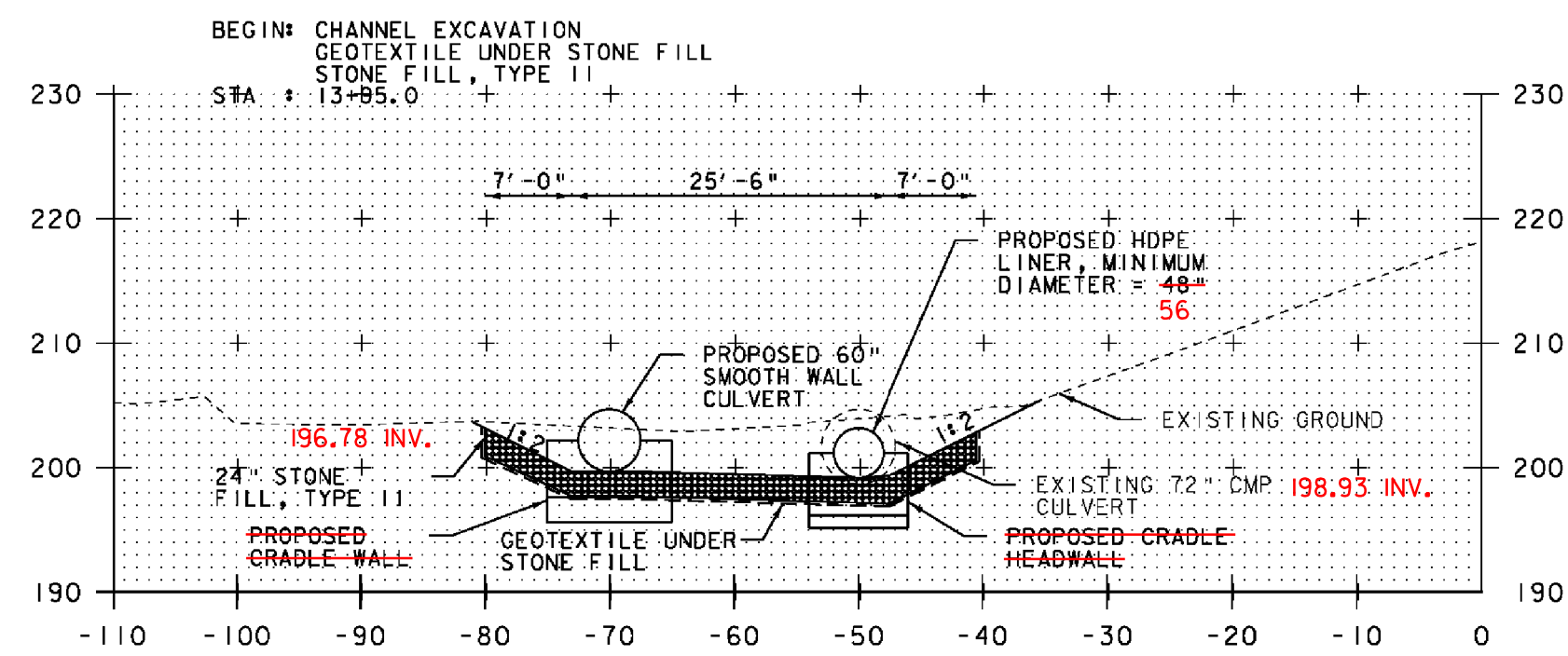


14+00

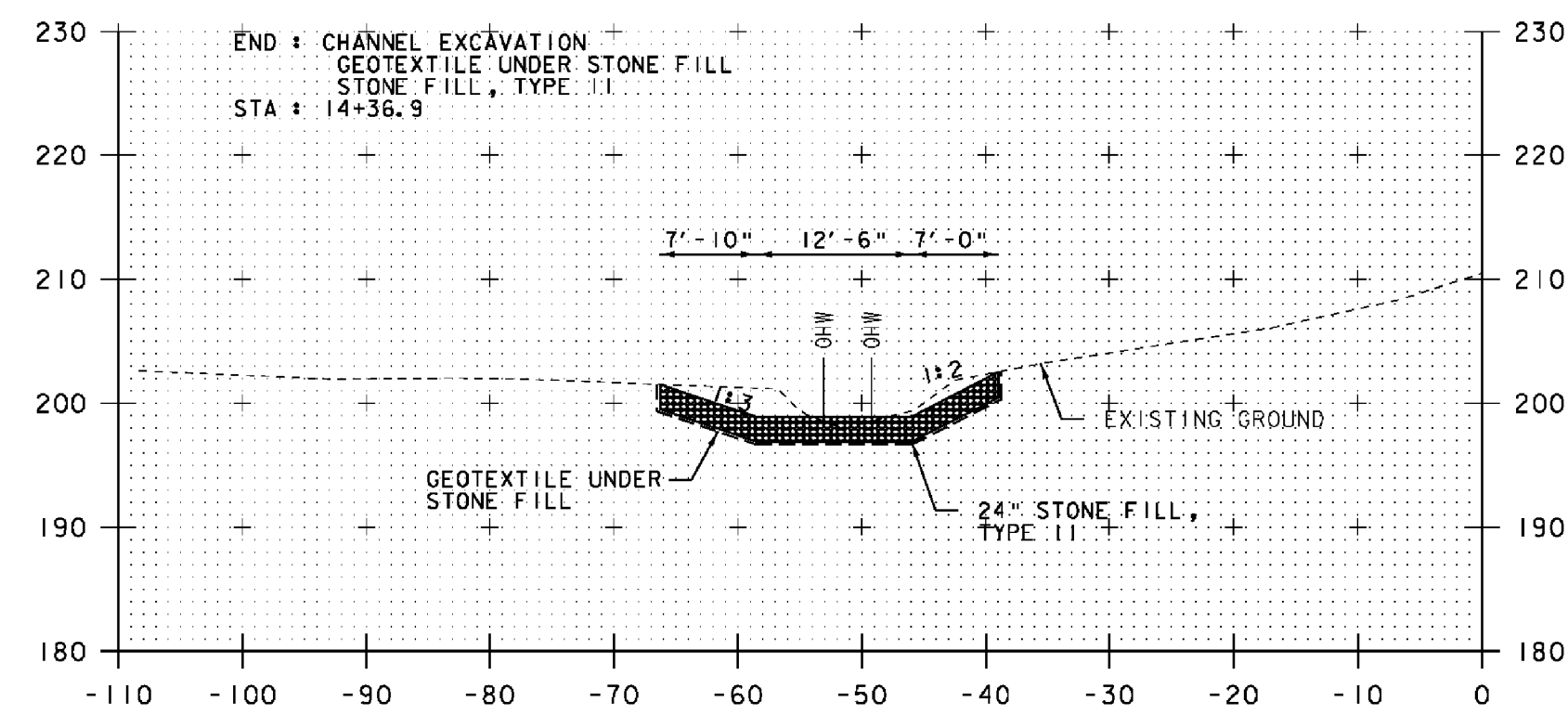


14+50



13+95

SEE C.O./S.A. #5 FOR CHANGE
TO FULL HEAWALL, NO BEVEL.



14+25

STA. 13+95 TO STA. 14+50

PROJECT NAME:	SO. BURLINGTON - COLCHESTER	
PROJECT NUMBER:	IM CULV (23)	
FILE NAME:	z09a046xs.dgn	PLOT DATE:
PROJECT LEADER:	D. BENOIT	DRAWN BY:
DESIGNED BY:	R. HALEY	CHECKED BY:
CROSS SECTIONS - SOUTH BURLINGTON 69-1		SHEET 15 OF 36

