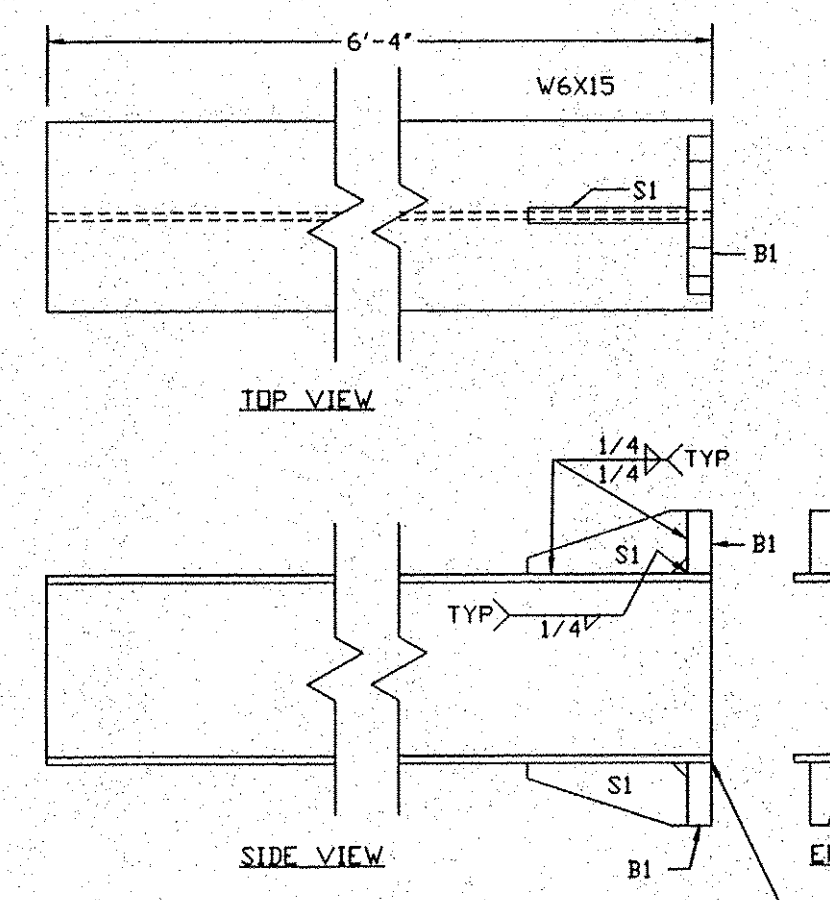


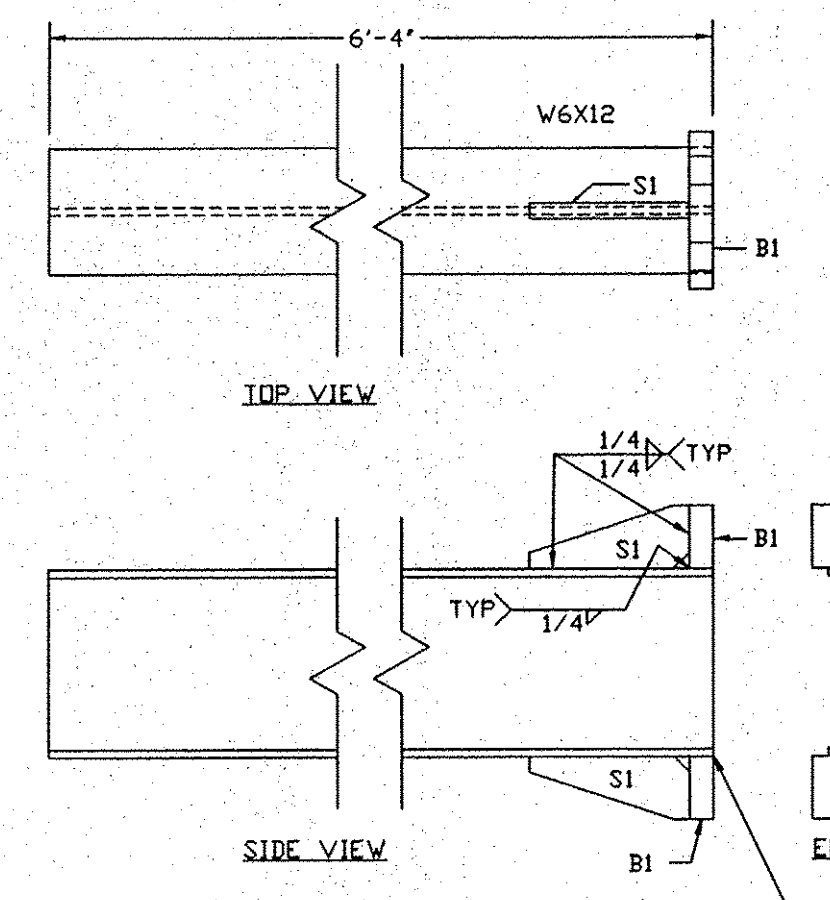
PARTS

PIECE	QUANTITY	ITEM	WEIGHT EA.
B1	288	PL3/4"	1.79 LBS
B2	216	PL1"	3.29 LBS
S1	288	PL1/2"	0.92 LBS
S2	216	PL3/4"	1.82 LBS
F1	4	PL1/4"	0.94 LBS
F2	14	PL3/8"	2.58 LBS
F3	36	PL3/8"	2.23 LBS
F4	54	PL1/2"	3.14 LBS
F5	18	PL1/2"	3.89 LBS
B3	612	PL5/8"	6.79 LBS
B4	28	PL7/8"	14.79 LBS
S3	30	PL3/8"	0.20 LBS
W6X12	4	6'-4"	76 LBS
W6X15	14	6'-4"	95 LBS
W8X18	34	6'-4"	114 LBS
W8X21	2	8'-4"	150 LBS
W8X21	53	6'-4"	133 LBS
W8X21	1	8'-4"	175 LBS
W10X22	12	6'-4"	139.33 LBS
W10X22	2	8'-4"	183.33 LBS
W10X26	4	6'-4"	164.66 LBS
HSS 3.500X0.216	258	6'-3"	47.38 LBS
PIPE 3 1/2" STD	48	6'-3"	57 LBS
PIPE 4" STD	4	6'-3"	67.5 LBS
PIPE 5" STD	10	6'-3"	91.25 LBS

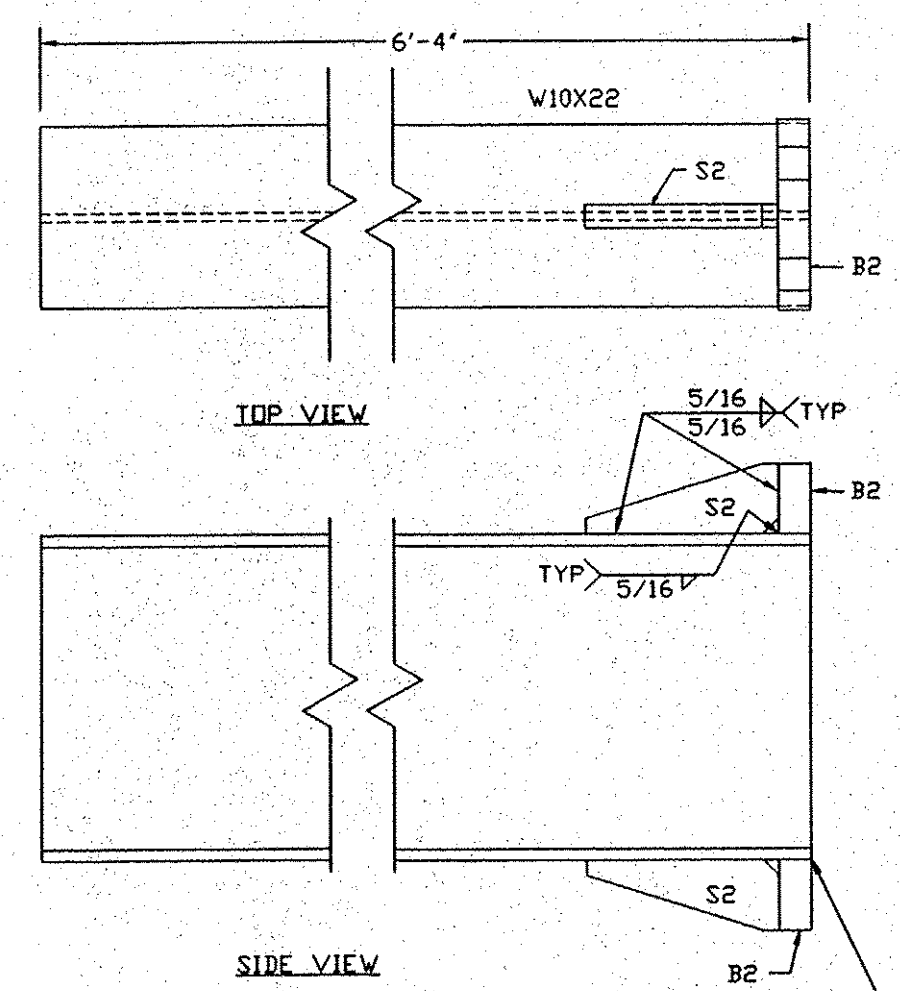
NOTE: ALL W-SHAPES AASHTO M270 GR. 36 OR 50
 NOTE: ALL PLATES AASHTO M270 GR. 36 OR 50
 NOTE: ALL ROUND HSS SHAPES ASTM A500 GR. B
 NOTE: ALL PIPE SHAPES ASTM A53 GR. B



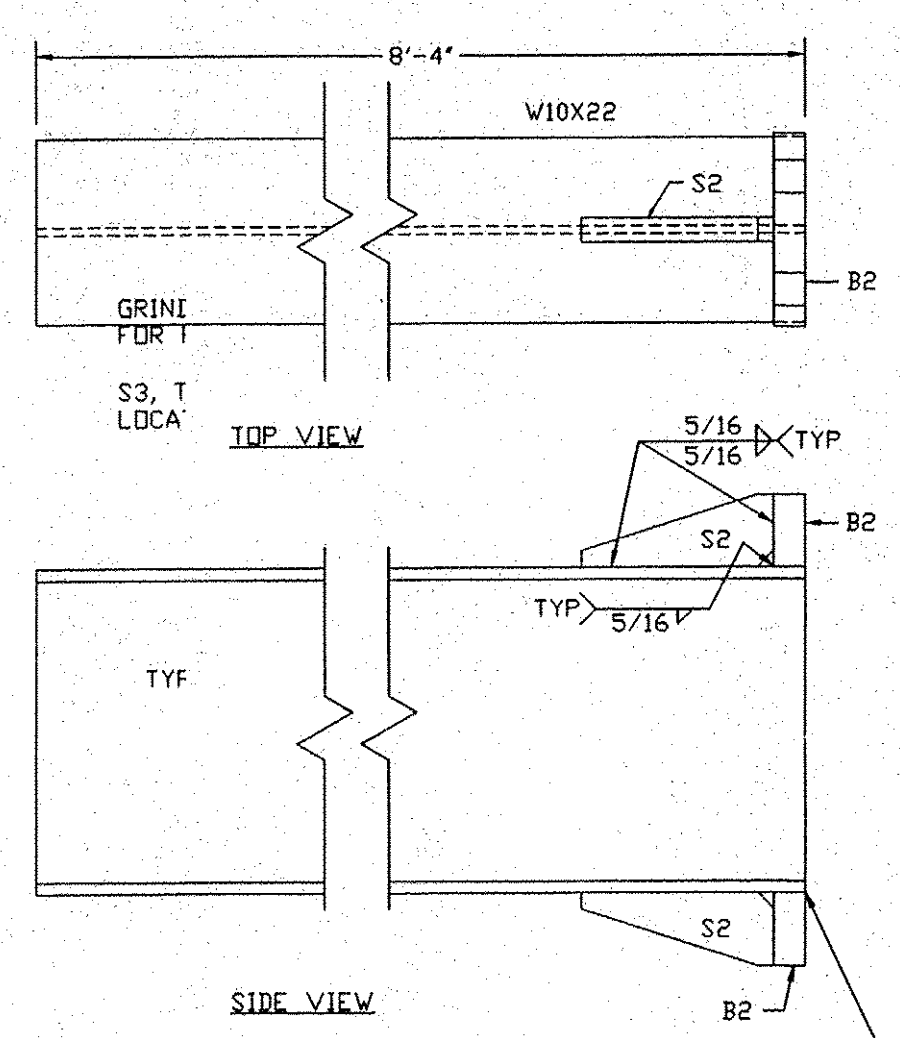
BASE PB2
14 REQ'D
W6X15



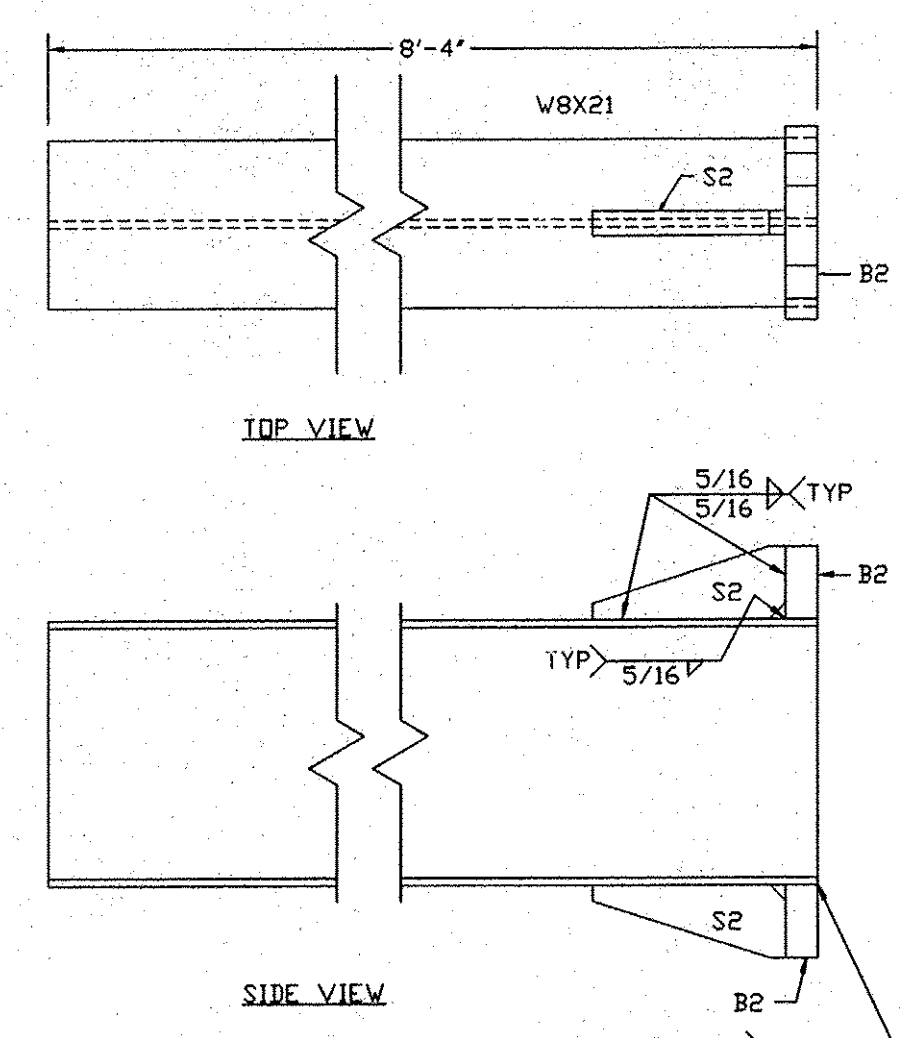
BASE PB1
4 REQ'D
W6X12



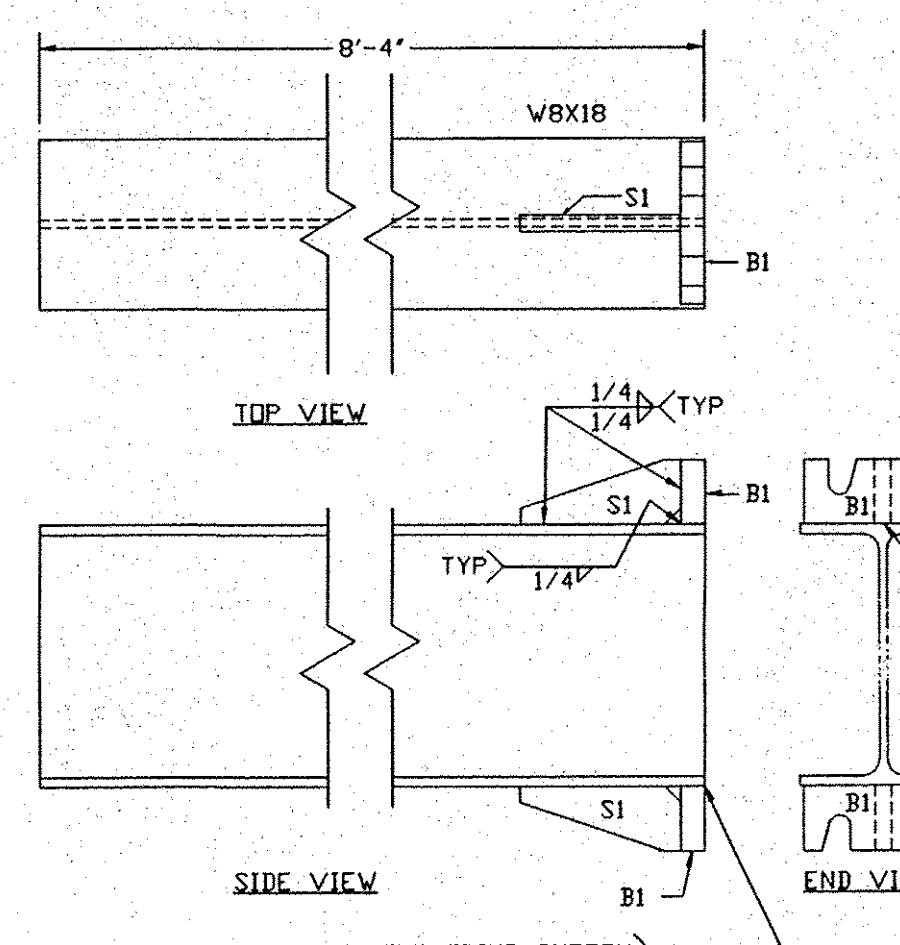
BASE PB6
4 REQ'D
W10X26



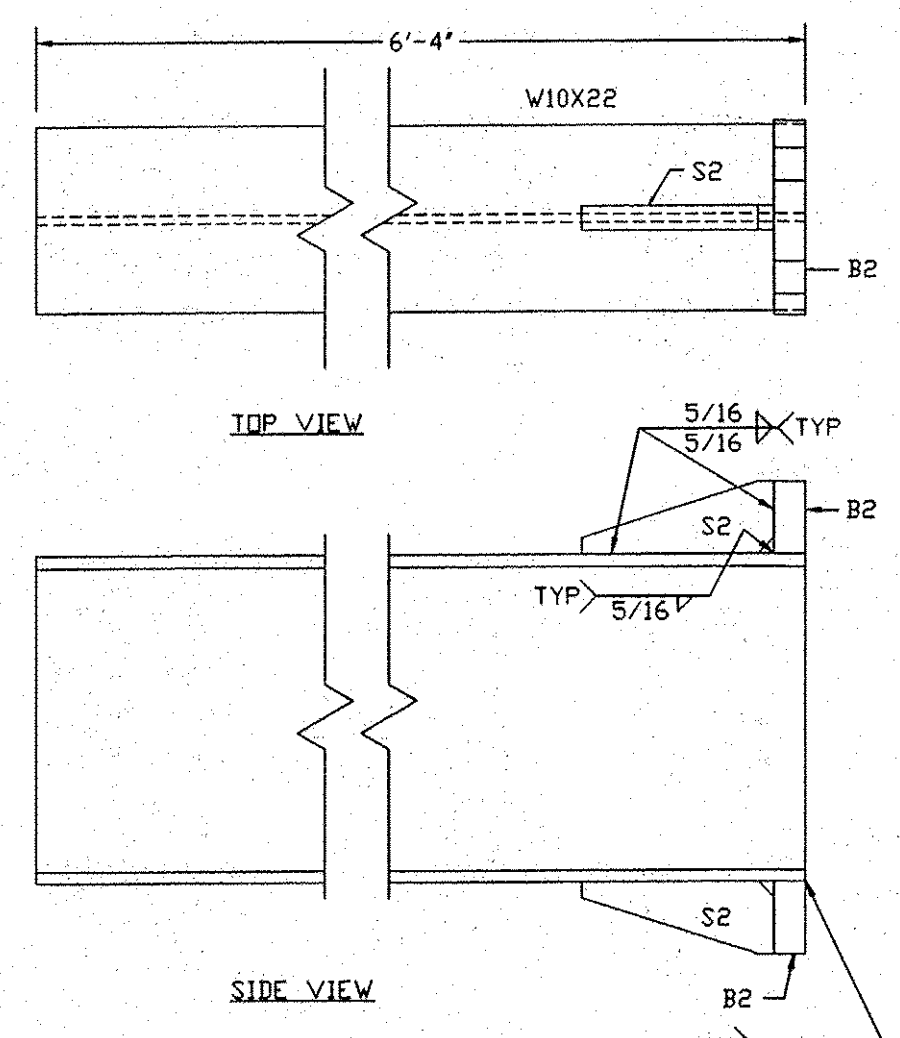
BASE PB3A
2 REQ'D
W10X22



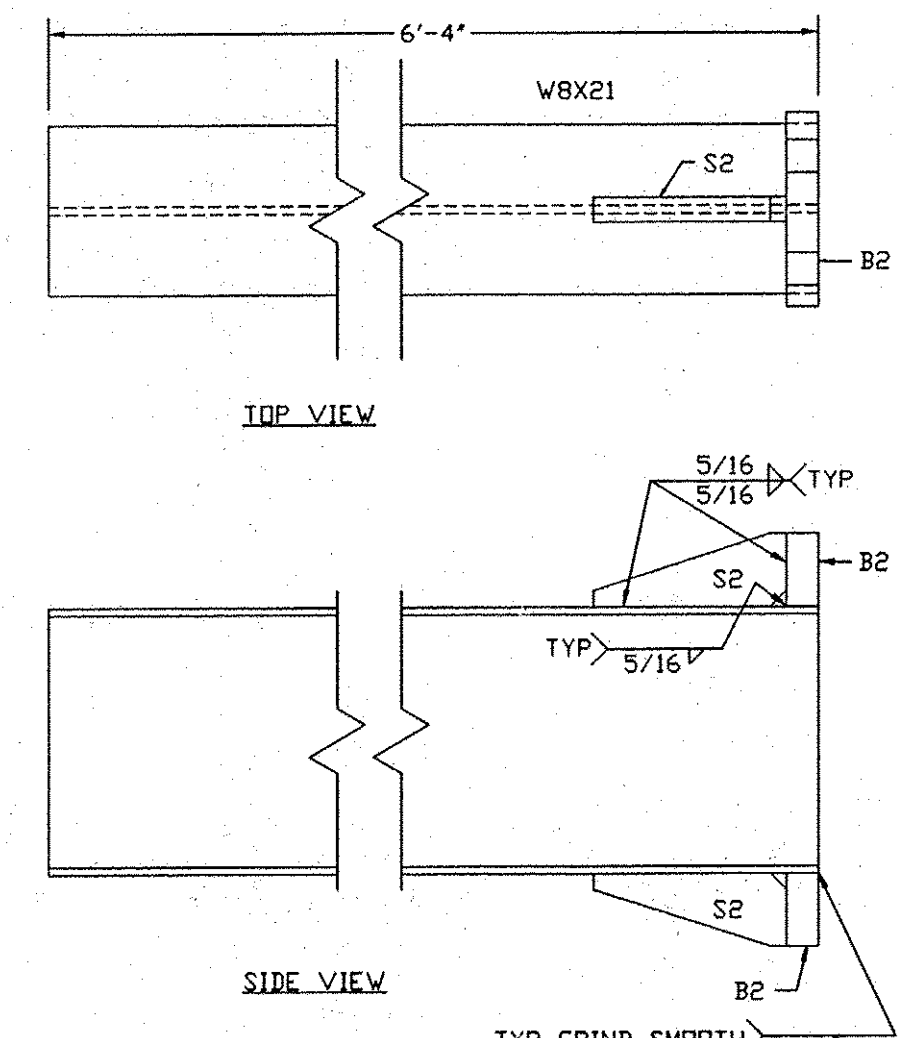
BASE PB4A
1 REQ'D
W8X21



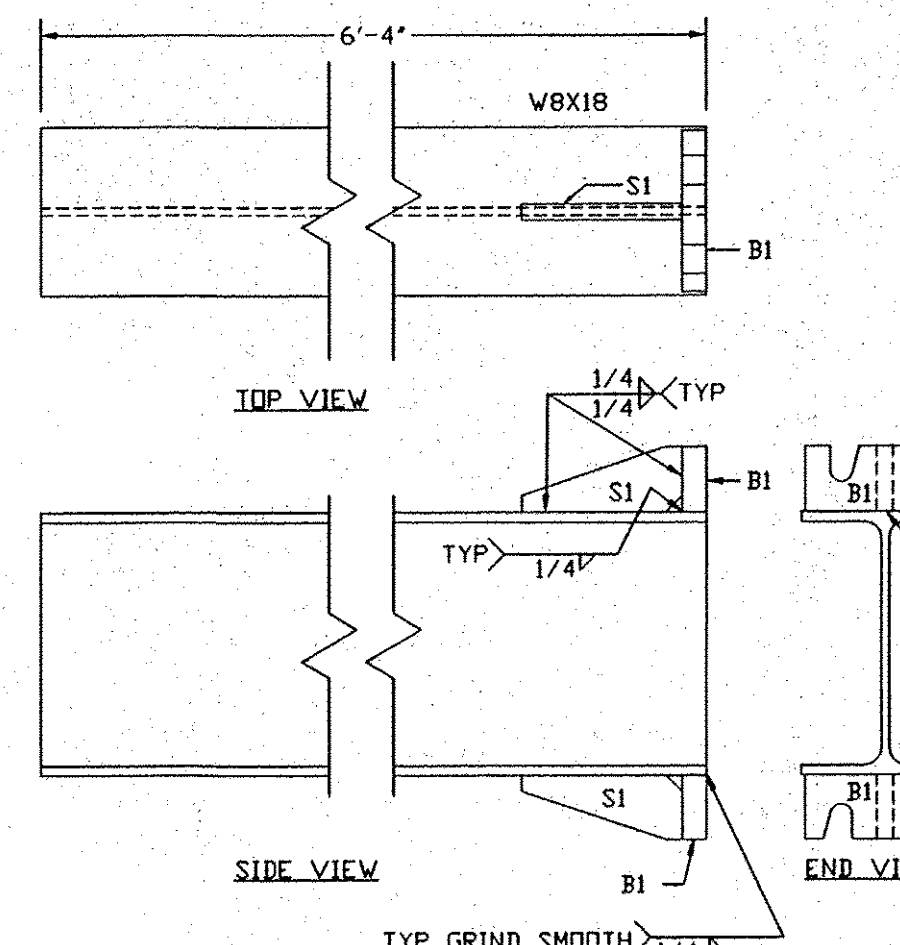
BASE PB3B
2 REQ'D
W8X18



BASE PB5
12 REQ'D
W10X22



BASE PB4B
53 REQ'D
W8X21



BASE PB3C
34 REQ'D
W8X18

PB1: 4 REQ'D

PIECE	QUANTITY	ITEM	WEIGHT EA.	TOTAL WT.
B1	2	PL3/4"	1.79 LBS	3.58 LBS
S1	2	PL1/2"	0.92 LBS	1.84 LBS
W6X12	1	W6X12	76 LBS	76 LBS

81.42 LBS EA.

PB2: 14 REQ'D

PIECE	QUANTITY	ITEM	WEIGHT EA.	TOTAL WT.
B1	2	PL3/4"	1.79 LBS	3.58 LBS
S1	2	PL1/2"	0.92 LBS	1.84 LBS
W6X15	1	W6X15	95 LBS	95 LBS

100.42 LBS EA.

PB3: 34 REQ'D

PIECE	QUANTITY	ITEM	WEIGHT EA.	TOTAL WT.
B1	2	PL3/4"	1.79 LBS	3.58 LBS
S1	2	PL1/2"	0.92 LBS	1.84 LBS
W8X18	1	W8X18	114 LBS	114 LBS

119.42 LBS EA.

PB3A: 2 REQ'D

PIECE	QUANTITY	ITEM	WEIGHT EA.	TOTAL WT.
B1	2	PL3/4"	1.79 LBS	3.58 LBS
S1	2	PL1/2"	0.92 LBS	1.84 LBS
W8X18	1	W8X18	150 LBS	150 LBS

155.42 LBS EA.

PB4: 53 REQ'D

PIECE	QUANTITY	ITEM	WEIGHT EA.	TOTAL WT.
B2	2	PL1"	3.29 LBS	6.58 LBS
S2	2	PL3/4"	1.82 LBS	3.64 LBS
W8X21	1	W8X21	133 LBS	133 LBS

143.22 LBS EA.

PB4A: 1 REQ'D

PIECE	QUANTITY	ITEM	WEIGHT EA.	TOTAL WT.
B2	2	PL1"	3.29 LBS	6.58 LBS
S2	2	PL3/4"	1.82 LBS	3.64 LBS
W8X21	1	W8X21	175 LBS	175 LBS

185.22 LBS EA.

PB5: 12 REQ'D

PIECE	QUANTITY	ITEM	WEIGHT EA.	TOTAL WT.
B2	2	PL1"	3.29 LBS	6.58 LBS
S2	2	PL3/4"	1.82 LBS	3.64 LBS
W10X22	1	W10X22	139.33 LBS	139.33 LBS

149.55 LBS EA.

PB5A: 2 REQ'D

PIECE	QUANTITY	ITEM	WEIGHT EA.	TOTAL WT.
B2	2	PL1"	3.29 LBS	6.58 LBS
S2	2	PL3/4"	1.82 LBS	3.64 LBS
W10X22	1	W10X22	183.33 LBS	183.33 LBS

193.55 LBS EA.

PB6: 4 REQ'D

PIECE	QUANTITY	ITEM	WEIGHT EA.	TOTAL WT.
B2	2	PL1"	3.29 LBS	6.58 LBS
S2	2	PL3/4"	1.82 LBS	3.64 LBS
W10X26	1	W10X26	164.66 LBS	164.66 LBS

174.88 LBS EA.

BOLTS:
4- 5/8"X 3 1/2" A325 MG BOLTS

BOLTS:
4- 5/8"X 3 1/2" A325 MG BOLTS

BOLTS:
4- 5/8"X 3 1/2" A325 MG BOLTS

REVISION 1	2/23/10	PB10
PROJECT NAME	ROYALTON-MIDDLESEX	PROJECT NO.
		IMG DRAWN(19)
PARTS, W BASES		DRAWING NO.
SCALE 1"=1'	DATE 2/23/10	1 of 2
DRAWN: EB		SUPERVISOR: AW
FINISH: GALVANIZE TO AASHTO M111		TOWNS: ROYALTON, BETHEL, RANDOLF NORTHFIELD, BARRE, MONTPELIER, MIDDLESEX

CCS CONSTRUCTORS, LLC
 138 MUNSON AVE.
 MORRISVILLE, VT 05661
 PH. 802-888-7701
 FX. 802-888-4746