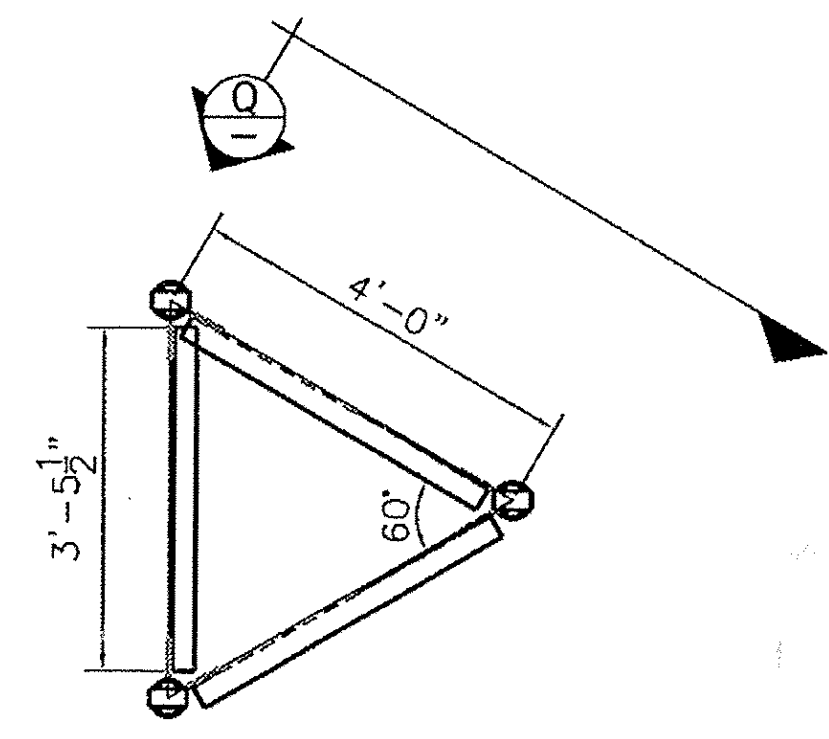
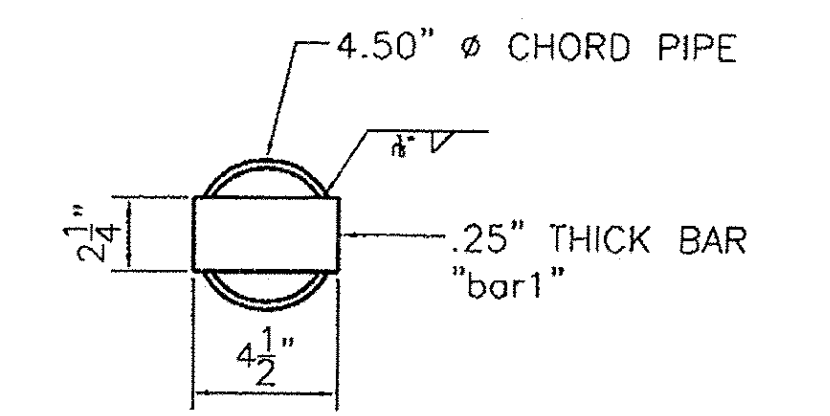


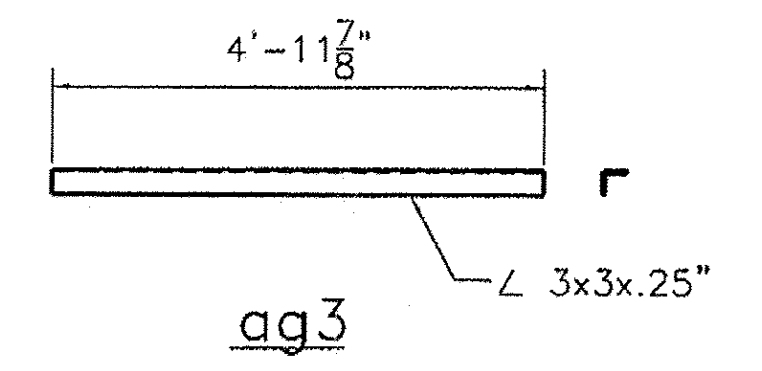
VIEW Q



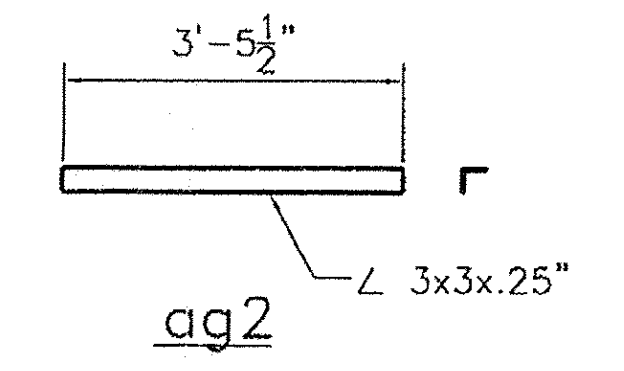
SIDE VIEW



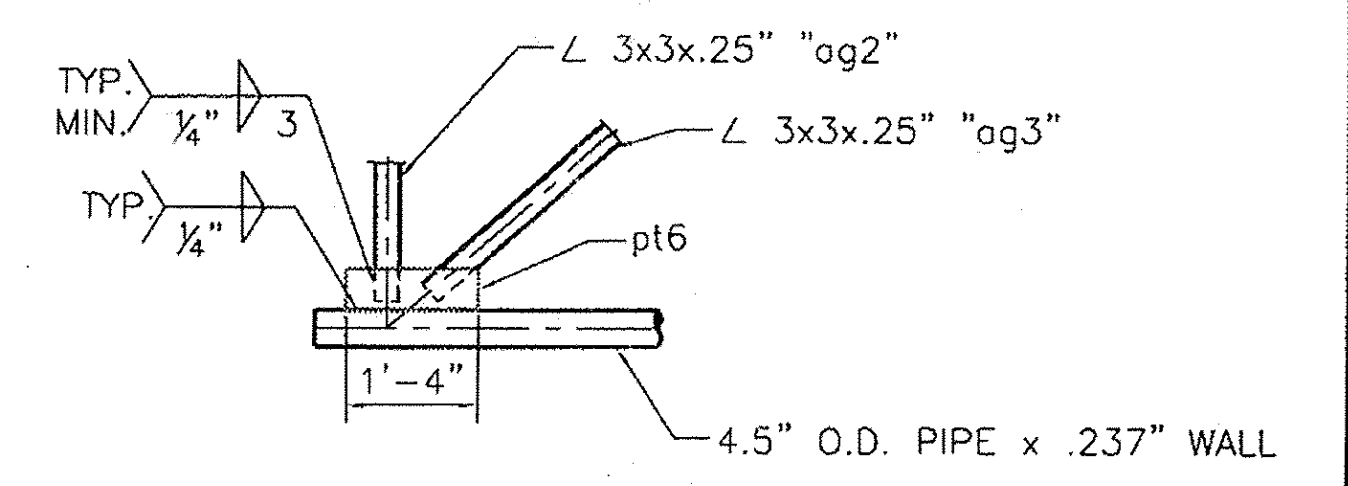
PIPE PLUG DETAIL
"EACH END OF TRUSS CHORD"



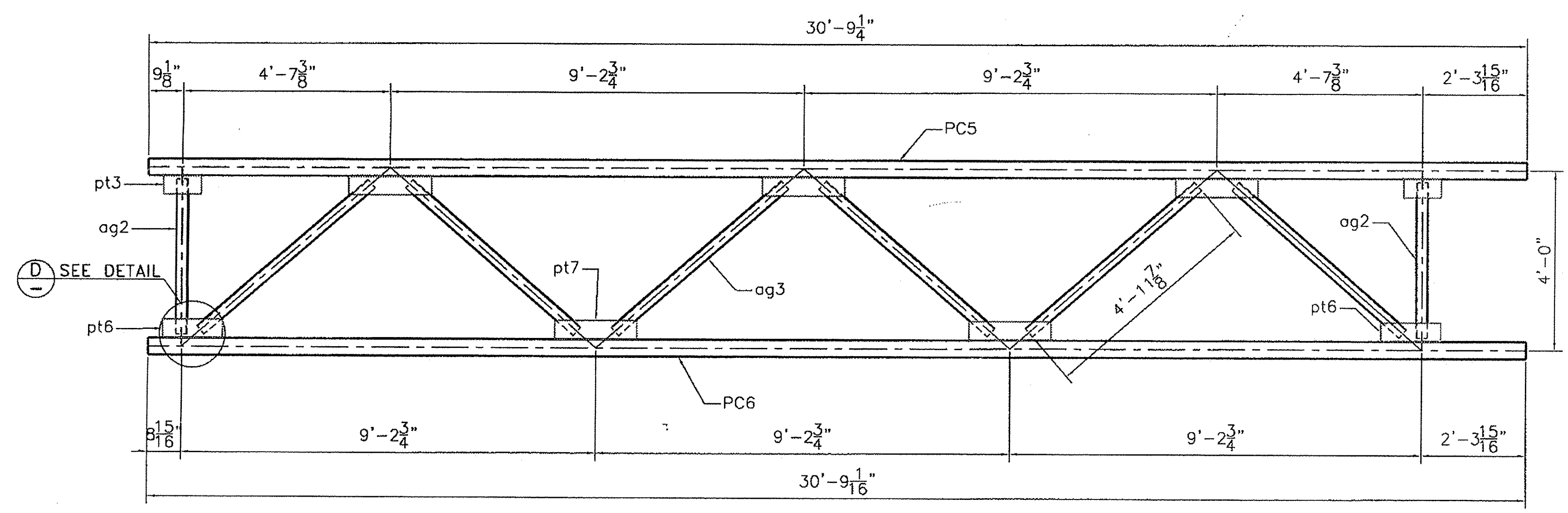
ag3



ag2



DETAIL "D"



FRONT VIEW

TRUSS TC2



HIGHWAY SAFETY CORP.
GLASTONBURY, CT

TRI CHORD OVERHEAD SIGN STRUCTURE		DRAWN	MHM
SIGN 0.102 OH INTERCHANGE #8		CHECKED	
PROJECT NUMBER IMG SIGN(19)		DATE	12/22/09
ROYALTON - MIDDLESEX		SCALE	NTS
VERMONT AGENCY OF TRANSPORTATION		FISC REFERENCE NO.	1729c
GENERAL CONTRACTOR		SIZE	D
		REVISION	0
SUB CONTRACTOR	CCS Constructors LLC	SHEET NO.	3 of 6

REVISIONS		
No.	Remarks	Date
0	Initial submittal	