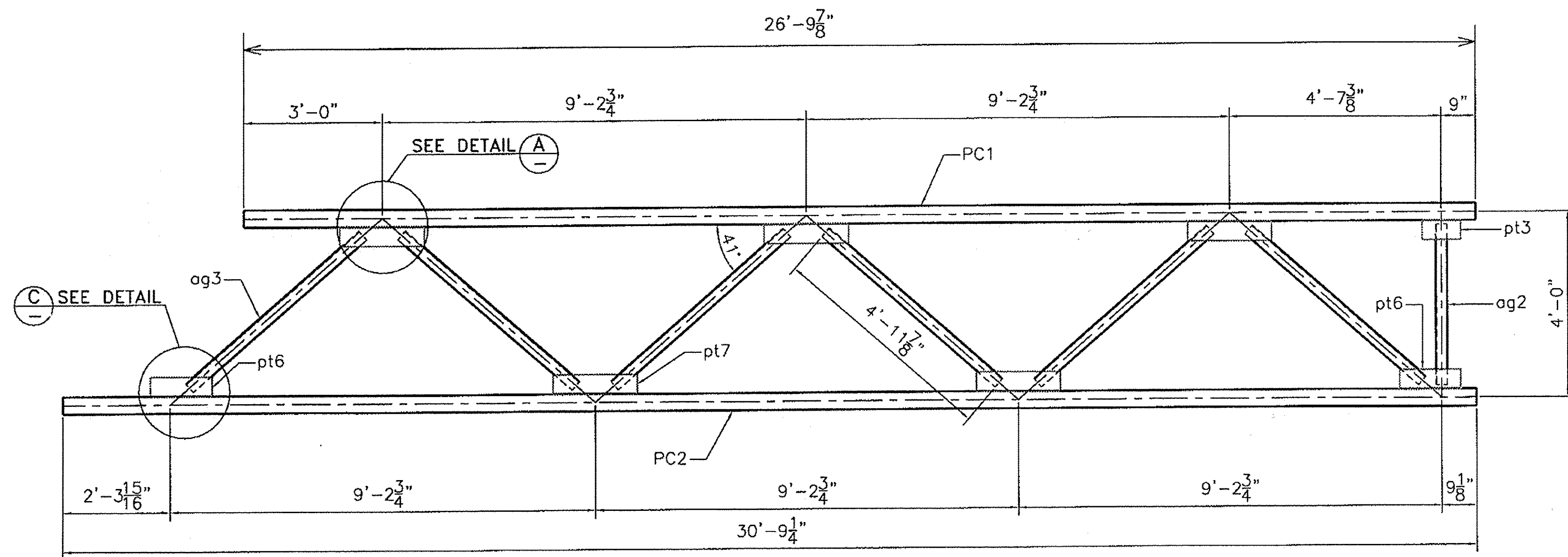
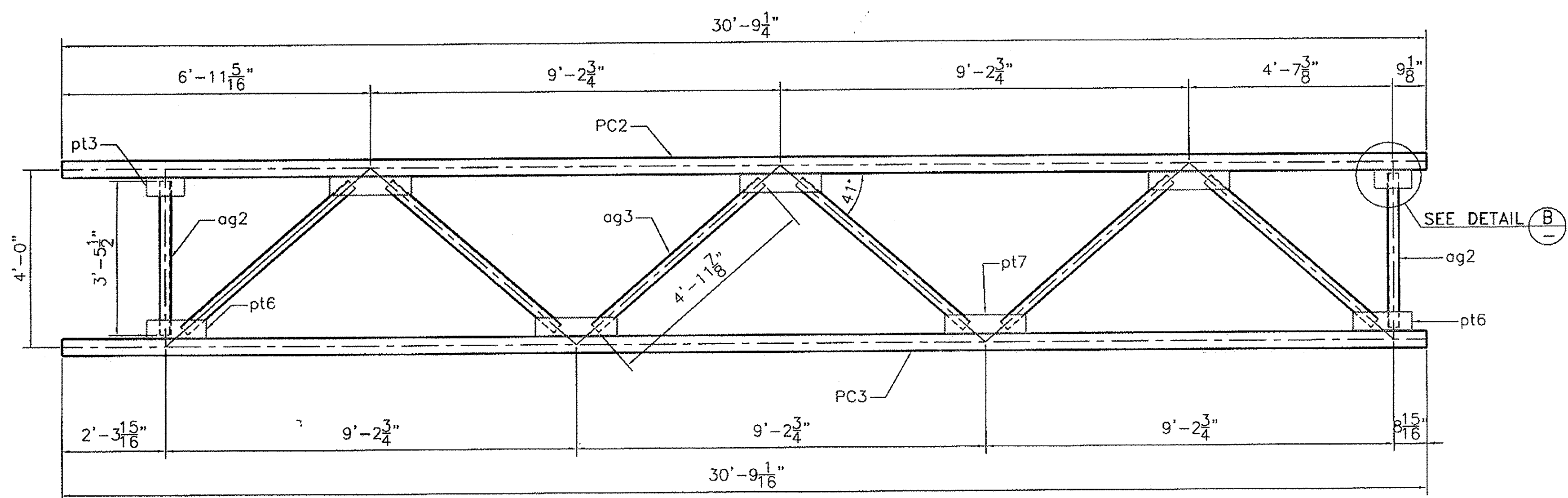


SIDE VIEW

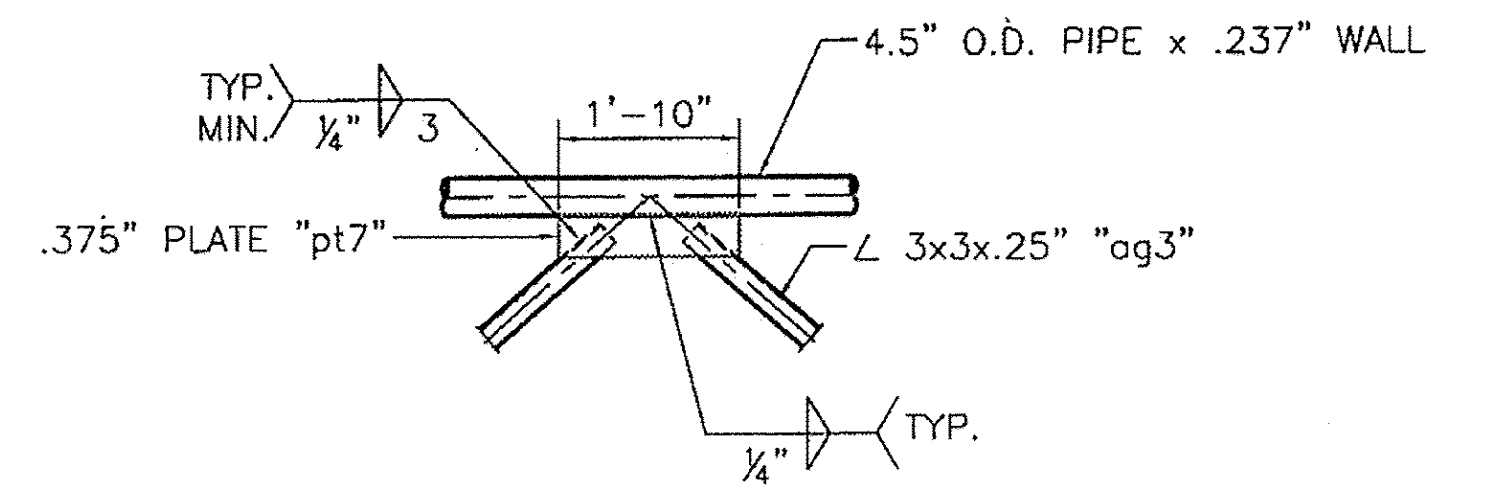


M VIEW

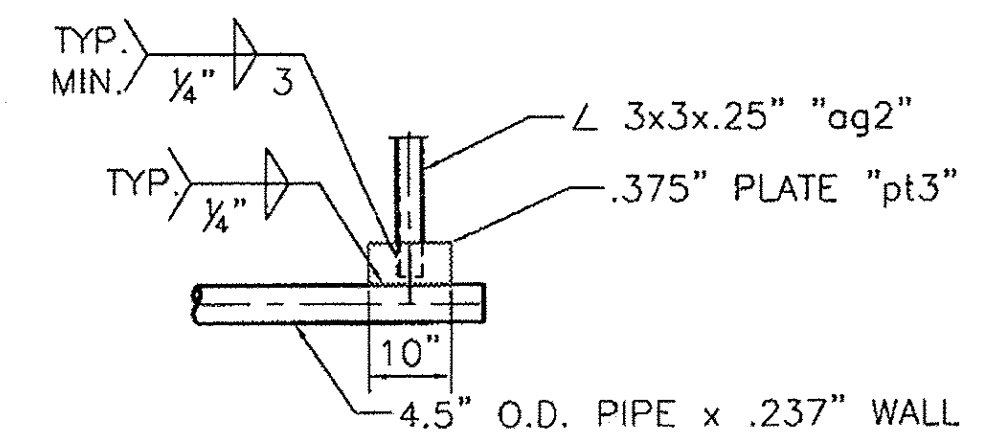


FRONT VIEW

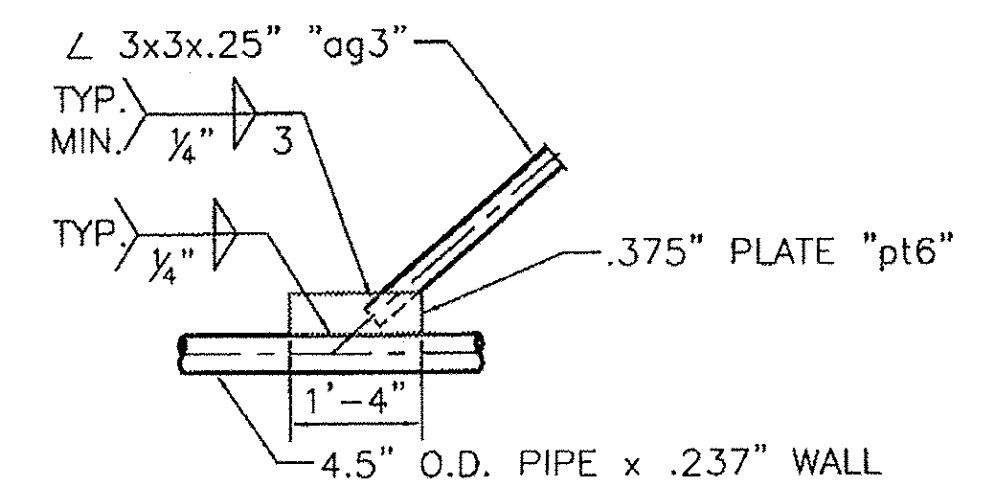
TRUSS TC1



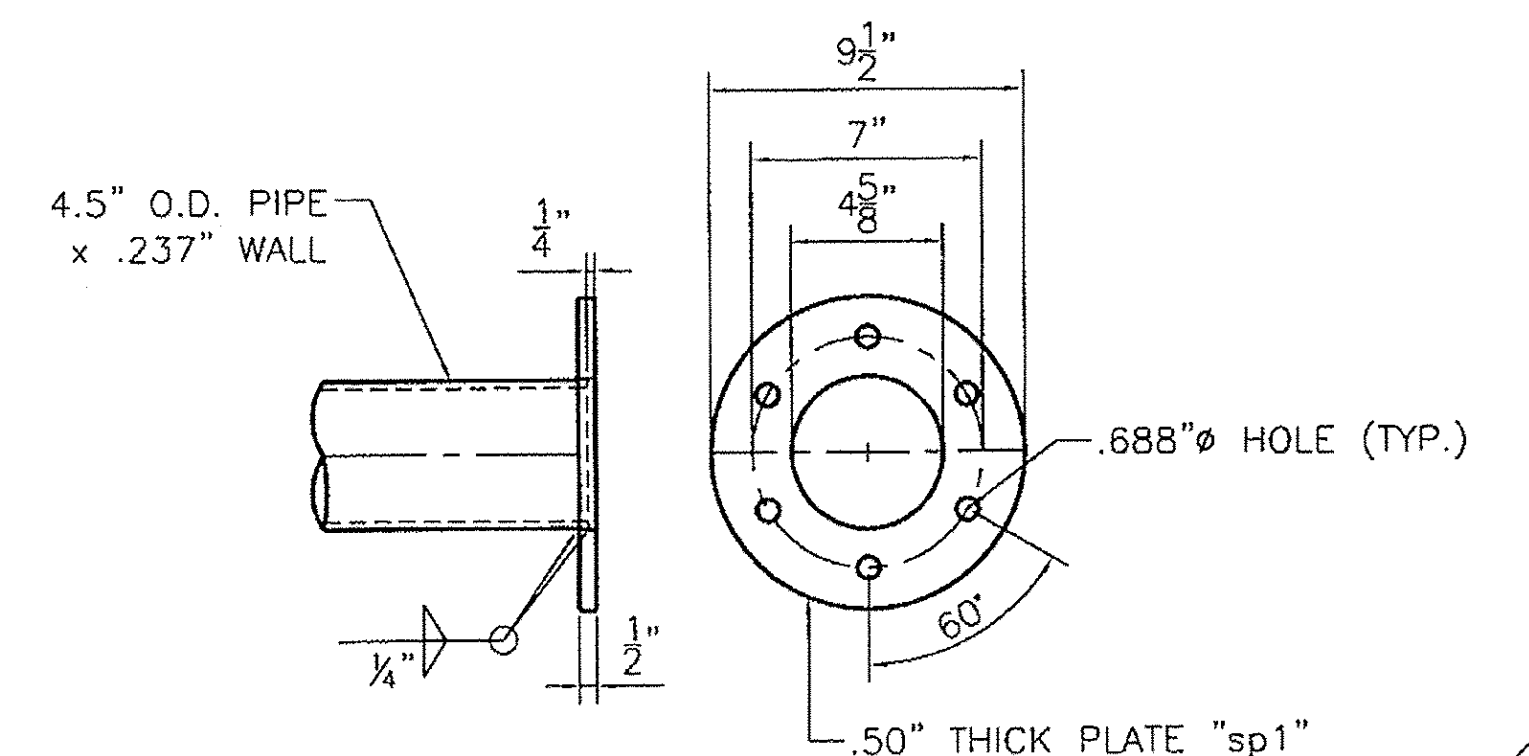
DETAIL "A"



DETAIL "B"



DETAIL "C"



SPlice DETAIL



HIGHWAY SAFETY CORP.
GLASTONBURY, CT

TRI CHORD OVERHEAD SIGN STRUCTURE SIGN 0.102 OH INTERCHANGE #8 PROJECT NUMBER IMG SIGN(19) ROYALTON - MIDDLESEX VERMONT AGENCY OF TRANSPORTATION	DRAWN: MHM CHECKED: DATE: 12/22/09 SCALE: NTS HSC REFERENCE NO.: 1729c GENERAL CONTRACTOR: SUB CONTRACTOR: CCS Constructors LLC	SIZE: D REVISION: 0 SHEET NO.: 2 of 6
--	---	---

REVISIONS		
No.	Remarks	Date
0	Initial submittal	