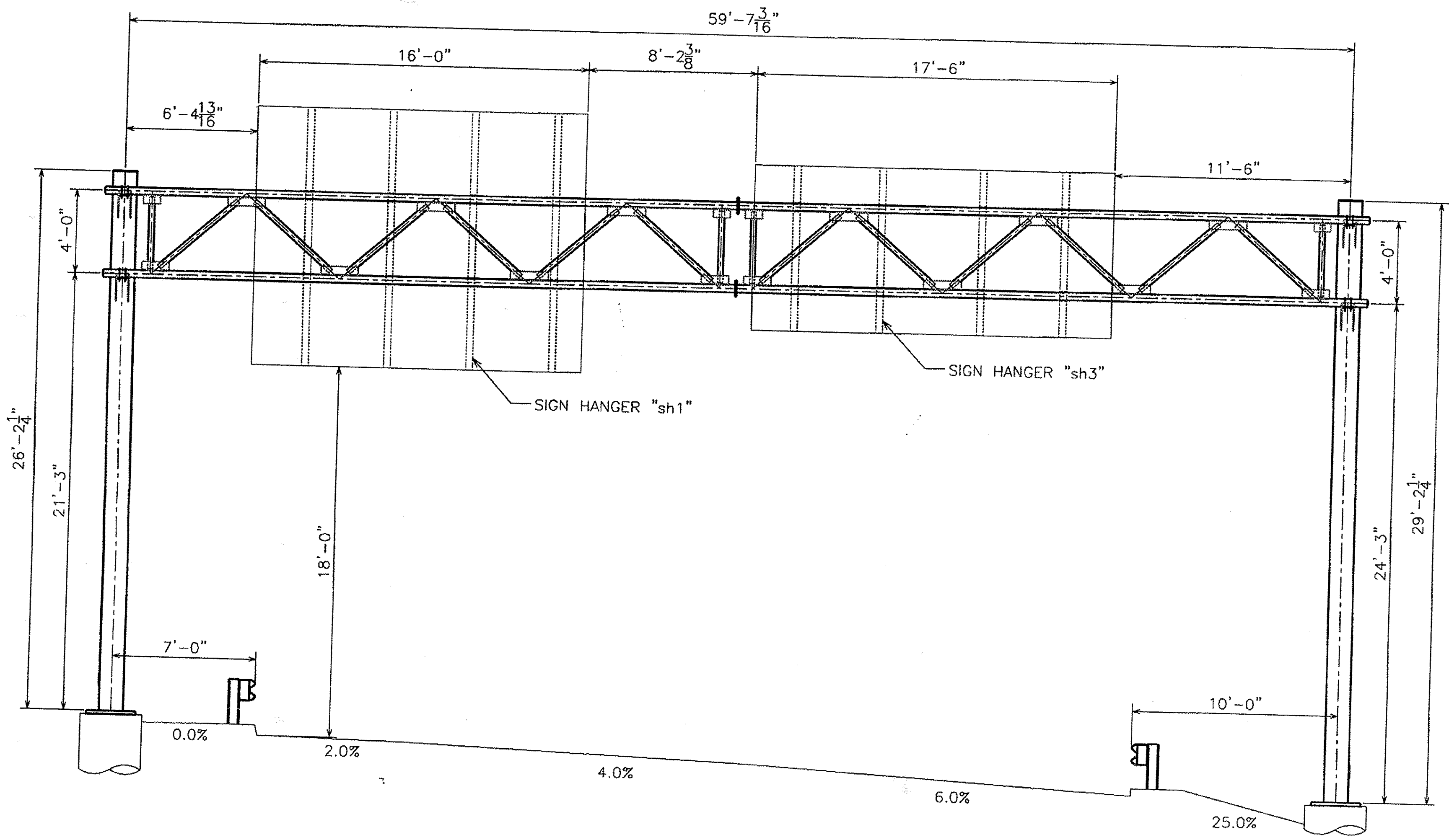
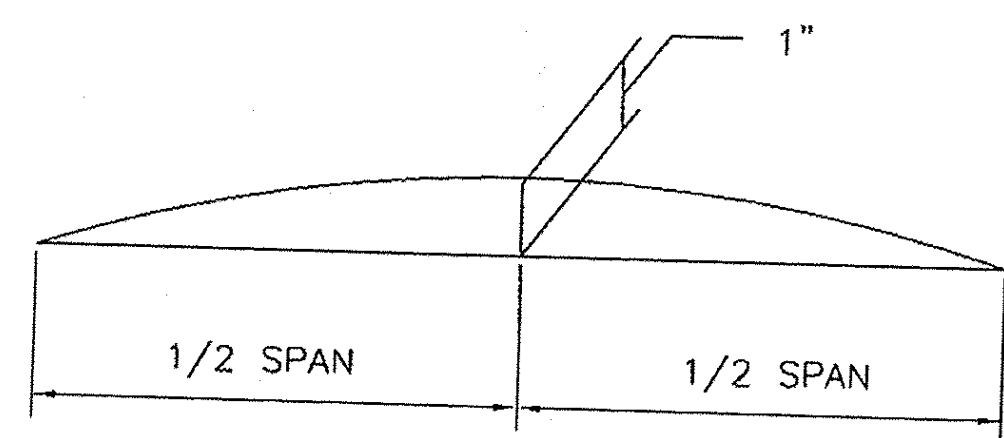


(A) VIEW

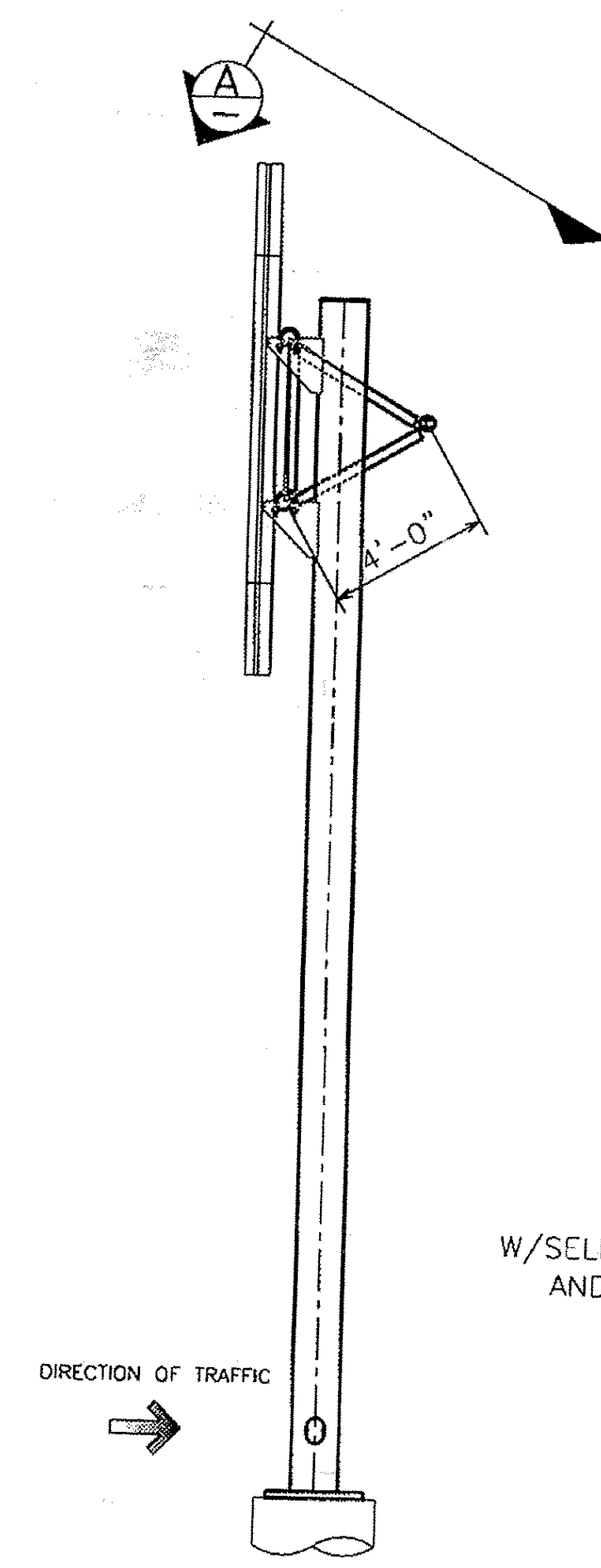


ELEVATION  
INTERCHANGE 8  
LOOKING AT FACE OF SIGN  
(OUT OF PLANE CHORDS NOT SHOWN FOR CLARITY)  
*Montpelier Exit 8*

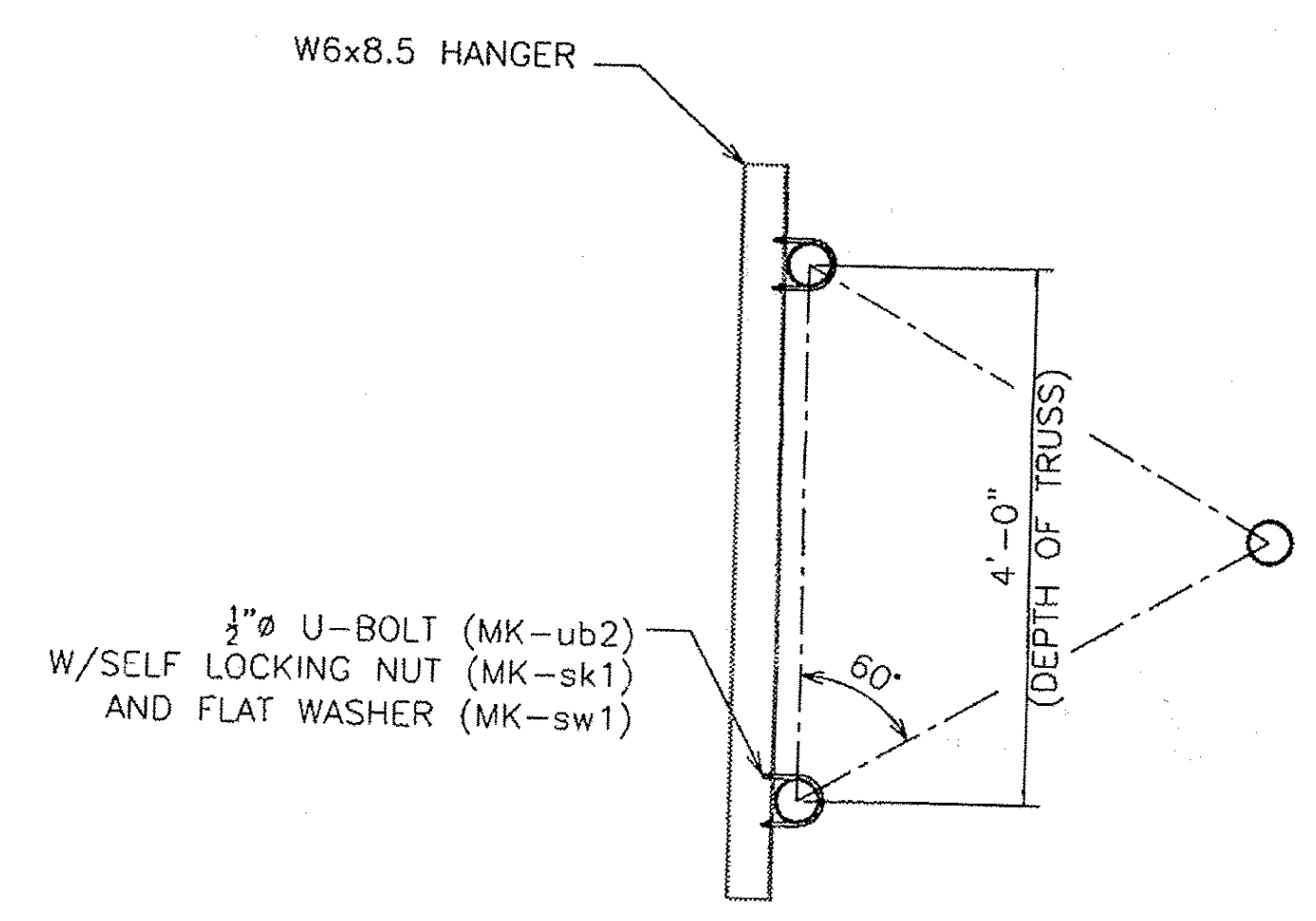


CAMBER DIAGRAM

NOTE:  
CAMBER WILL BE ACHIEVED BY SHORTENING LOWER CHORD PIPES BY AN AMOUNT SUCH THAT POSITIVE UPWARD DEFLECTION IS PRODUCED WHEN TRUSSES ARE BROUGHT TOGETHER AT SPLICES.



SIDE ELEVATION



SIGN MOUNTING DETAIL  
VERTICAL HANGER BEAMS & U-BOLTS INCLUDED

NOTE:  
POST HEIGHT WAS SCALED OF THE CONTRACT DRAWINGS, CONTRACTOR TO VERIFY POST HEIGHT PRIOR TO FABRICATION.

CCS Constructors LLC  
158 Nunsun Avenue  
Montpelier, VT 05601  
Ph: 802-885-7701 f: 802-888-4746



REVISIONS		
No.	Remarks	Date
0	Initial submittal	

**HIGHWAY SAFETY CORP.**  
GLASTONBURY, CT

TRI CHORD OVERHEAD SIGN STRUCTURE  
SIGN 0.102 OH INTERCHANGE #8  
PROJECT NUMBER IMG SIGN(19)  
ROYALTON - MIDDLESEX  
VERMONT AGENCY OF TRANSPORTATION

DRAWN: MHM  
CHECKED: [ ]  
DATE: 12/22/09  
SCALE: N.T.S.  
FISC REFERENCE NO.: 1729c  
GENERAL CONTRACTOR: [ ]  
SUB CONTRACTOR: CCS Constructors LLC

SHEET NO. 1 of 6