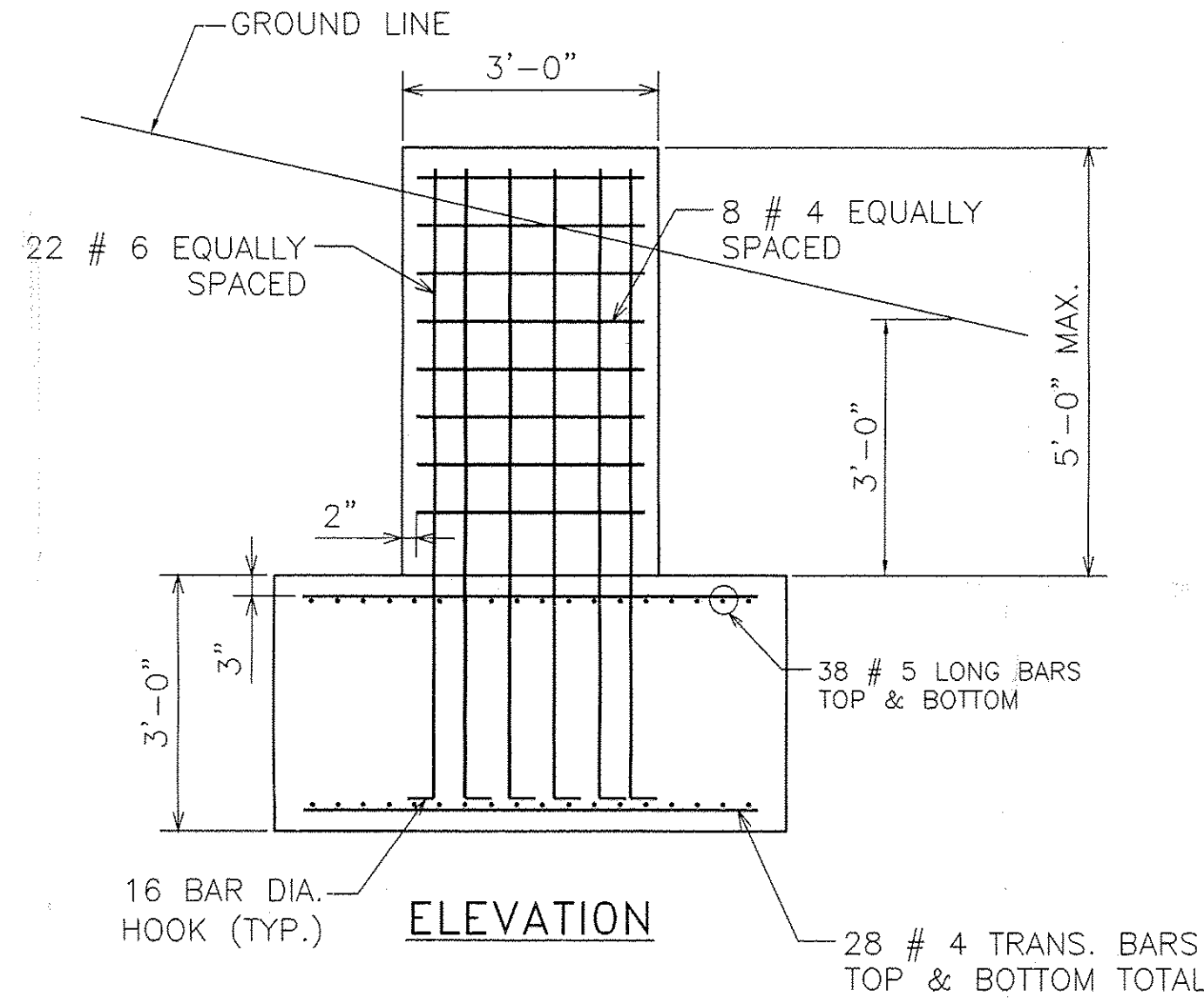
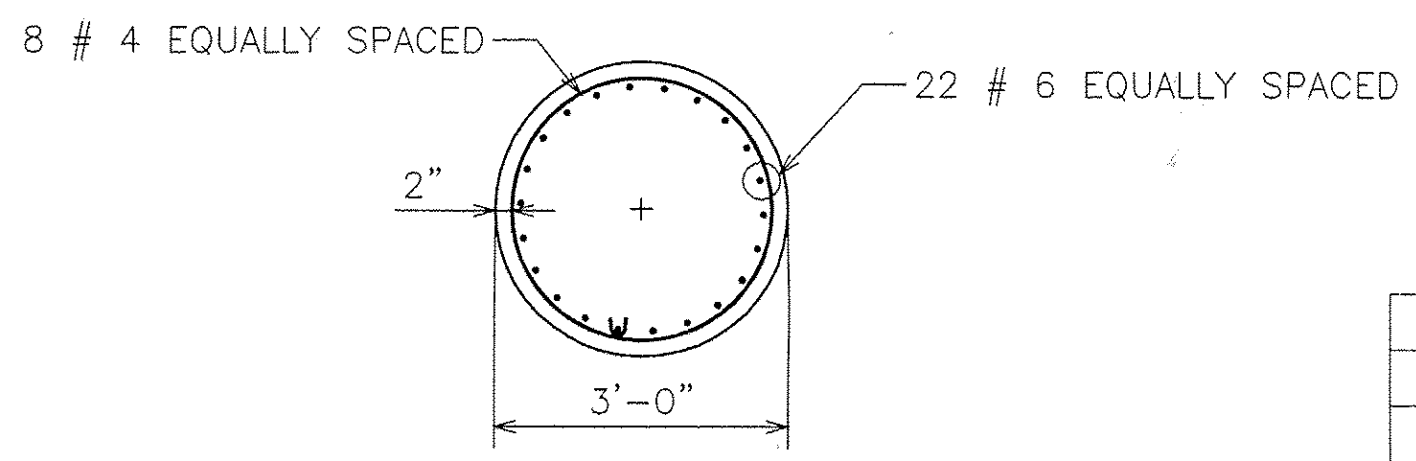


PLAN



ELEVATION



PLAN (STEM)

INTERCHANGE #7 0.115 LT				
MK	QTY	DESCRIPTION	LENGTH	SPEC.
<b>TB1 TRUSS SECTION ASSEMBLY</b>				
PB1	1	4.500" O.D. x .237" WALL CHORD PIPE	29'-3.500"	A500 gr B, API 5LX42
PB2	1	4.500" O.D. x .237" WALL CHORD PIPE	33'-3.875"	A500 gr B, API 5LX42
PB3	1	4.500" O.D. x .237" WALL CHORD PIPE	33'-3.688"	A500 gr B, API 5LX42
ag1	21	L 3x3x.25"	4'-9.625"	A709 Gr 36
ag2	4	L 3x3x.25"	3'-5.500"	A709 Gr 36
pt1	6	0.375" THICK PLATE	5"x1'-3"	A709 Gr 50
pt2	18	0.375" THICK PLATE	5"x1'-8"	A709 Gr 50
pt3	4	0.375" THICK PLATE	5"x10"	A709 Gr 50
bar1	3	0.25" PLUG PLATE	2.25"x4.500"	A709 Gr 36
sp1	3	0.500" SPLICE PLATE	9.500" O.D.	A709 Gr 50
<b>TB2 TRUSS SECTION ASSEMBLY</b>				
PB4	1	4.500" O.D. x .237" WALL CHORD PIPE	29'-3.500"	A500 gr B, API 5LX42
PB5	1	4.500" O.D. x .237" WALL CHORD PIPE	33'-3.875"	A500 gr B, API 5LX42
PB6	1	4.500" O.D. x .237" WALL CHORD PIPE	33'-3.688"	A500 gr B, API 5LX42
ag1	21	L 3x3x.25"	4'-9.625"	A709 Gr 36
ag2	4	L 3x3x.25"	3'-5.500"	A709 Gr 36
pt1	6	0.375" THICK PLATE	5"x1'-3"	A709 Gr 50
pt2	18	0.375" THICK PLATE	5"x1'-8"	A709 Gr 50
pt3	4	0.375" THICK PLATE	5"x10"	A709 Gr 50
bar1	3	0.25" PLUG PLATE	2.25"x4.500"	A36
sp1	3	0.500" SPLICE PLATE	9.500" O.D.	A709 Gr 50
<b>2LT LEFT POST ASSEMBLY</b>				
po3	1	14" O.D. x .500" WALL PIPE	26'-3.750"	A500 gr B, API 5LX42
cp1	1	0.25" CAP PLATE	1'-2.500" O.D.	A36
gt	1	0.125" GASKET	14.5" O.D.-12.5" I.D.	50 DURO. NEOPRENE
bar3	1	L1.5x1.5x.25"	1'-1"	A36
hb1	1	0.500" DIA. HEX BOLT	2.500"	A307
wnt	1	0.500" DIA. HEX NUT		A563
rbw	1	0.500" DIA. RUBBER WASHER		50 DURO. NEOPRENE
gw	1	0.500" DIA. WASHER		F844
pt4	2	0.500" PLATE	8" x 6.500"	A709 Gr 50
pt5	4	0.500" PLATE	16" x 16"	A709 Gr 50
bar2	1	0.625" x 2.500" BAR	21.500"	A36
ga	1	0.125" GASKET	7.750" x 5.250"	50 DURO. NEOPRENE
fc	1	0.25" COVER PLATE	7.750" x 5.250"	A36
cb	4	0.375" DIA. HEX BOLT	1"	A307
lug	1	0.25" PLATE	1" x 1"	A36
bp1	1	2" BASE PLATE	2'-6" O.D.	A709 Gr 50

REBAR LIST

REBAR	PCS. REQD.	LENGTH	SPEC.
#4	16	9'-0"	A615 Gr. 60
#4	56	5'-6"	A615 Gr. 60
#6 (90° HOOK ONE END)	44	8'-6"	A615 Gr. 60
#5	76	19'-6"	A615 Gr. 60

REVISIONS		
No.	Remarks	Date
0	Initial submittal	
1	MK-ub2	10/3/10
2	Footing design	5/26/10

<b>2RT RIGHT POST ASSEMBLY</b>				
po4	1	14" O.D. x .500" WALL PIPE	32'-3.750"	A500 gr B, API 5LX42
cp1	1	0.25" CAP PLATE	1'-2.500" O.D.	A36
gt	1	0.125" GASKET	14.5" O.D.-12.5" I.D.	50 DURO. NEOPRENE
bar3	1	L1.5x1.5x.25"	1'-1"	A36
hb1	1	0.500" DIA. HEX BOLT	2.500"	A307
wnt	1	0.500" DIA. HEX NUT		A563
rbw	1	0.500" DIA. RUBBER WASHER		50 DURO. NEOPRENE
gw	1	0.500" DIA. WASHER		F844
pt4	2	0.500" PLATE	8" x 6.500"	A709 Gr 50
pt5	4	0.500" PLATE	16" x 16"	A709 Gr 50
bar2	1	0.625" x 2.500" BAR	21.500"	A36
ga	1	0.125" GASKET	7.750" x 5.250"	50 DURO. NEOPRENE
fc	1	0.25" COVER PLATE	7.750" x 5.250"	A36
cb	4	0.375" DIA. HEX BOLT	1"	A307
lug	1	0.25" PLATE	1" x 1"	A36
bp1	1	2" BASE PLATE	2'-6" O.D.	A709 Gr 50
<b>SIGN ASSEMBLY</b>				
sh1	4	W6x8.5	12'-6"	A36
sh2	4	W6x8.5	10'-0"	A36
ub2	32	0.625" DIA. U-BOLT	7"	F1554 Gr 36
sk1	64	0.625" DIA. SELF LOCKING NUT		A563 DH
sw1	64	0.625" DIA. FALT WASHER		F436
<b>HARDWARE</b>				
sbt1	24	0.625" DIA. SPLICE HEX BOLT	2.250"	A325
sn1	24	0.625" DIA. HEX NUT		A563 DH
swr1	48	0.625" DIA. WASHER		F436
ub1	8	0.75" DIA. U-BOLT	7.500"	F1554 Gr 36
un1	16	0.75" DIA. LOCK NUT		A563 DH
uw1	16	0.75" DIA. FALT WASHER		F436
<b>ANCHOR BOLT</b>				
an1	12	2" DIA. STUD	3'-8"	S/S A276 TY304
nt	48	2" DIA. HEX NUT		S/S A194B TY304
wr	12	2" DIA. WASHER		S/S TY304
lk	12	2" DIA. LOCK WASHER		S/S TY305
anp	12	1" PLATE WASHER	4" x 4"	S/S TY305



**HIGHWAY SAFETY CORP.**  
GLASTONBURY, CT

TRI CHORD OVERHEAD SIGN STRUCTURE  
SIGN 0.115 OH INTERCHANGE #7  
PROJECT NUMBER IMG SIGN(19)  
ROYALTON - MIDDLESEX  
VERMONT AGENCY OF TRANSPORTATION

DATE: 12/22/09  
SCALE: NTS  
HSC REFERENCE NO.: 1729b

GENERAL CONTRACTOR: CCS Constructors LLC  
SUB CONTRACTOR: CCS Constructors LLC

DRAWN: MHM  
CHECKED: [Signature]  
DATE: 12/22/09  
SCALE: NTS  
HSC REFERENCE NO.: 1729b  
SHEET NO.: 6 of 6