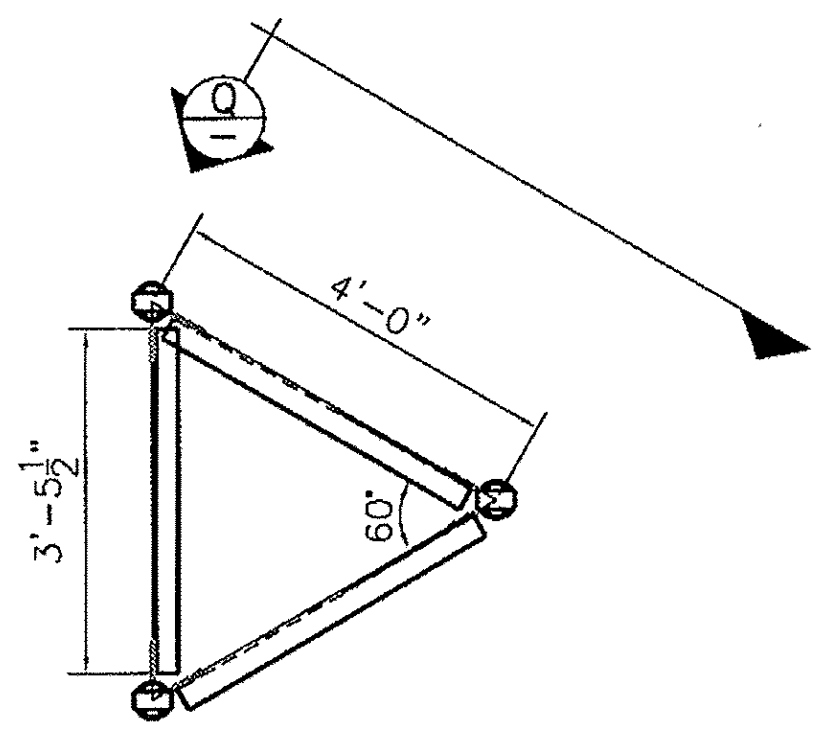
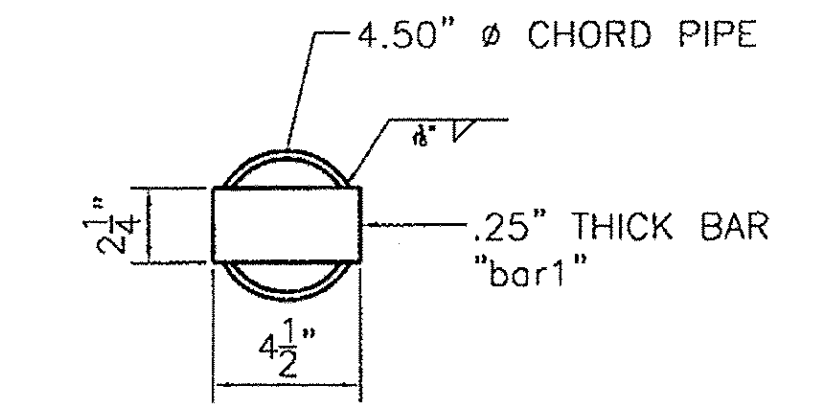


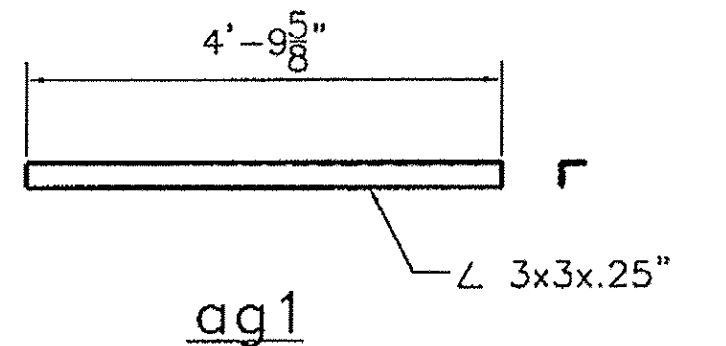
VIEW Q



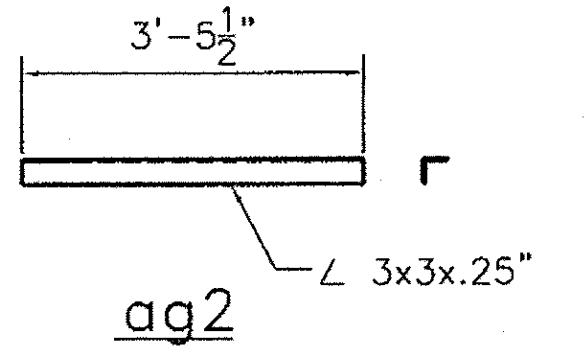
SIDE VIEW



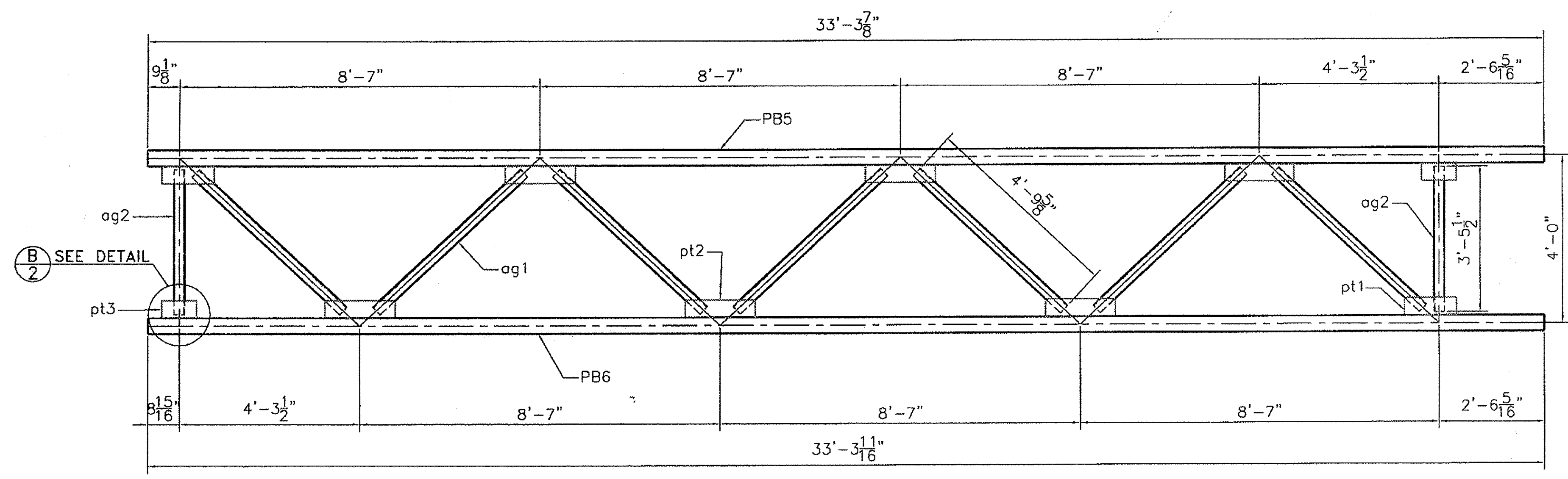
PIPE PLUG DETAIL
"EACH END OF TRUSS CHORD"



ag1



ag2



FRONT VIEW

TRUSS TB2



HIGHWAY SAFETY CORP.
GLASTONBURY, CT

TRI CHORD OVERHEAD SIGN STRUCTURE
SIGN 0.115 OH INTERCHANGE #7
PROJECT NUMBER IMG SIGN(19)
ROYALTON - MIDDLESEX
VERMONT AGENCY OF TRANSPORTATION

GENERAL CONTRACTOR
SUB CONTRACTOR

DRAWN: MHM
CHECKED:
DATE: 12/22/09
SCALE: NTS
NSC REFERENCE NO.: 1729b
SIZE: D REVISION: 0
SHEET NO.: 3 of 6

REVISIONS		
No.	Remarks	Date
0	Initial submittal	