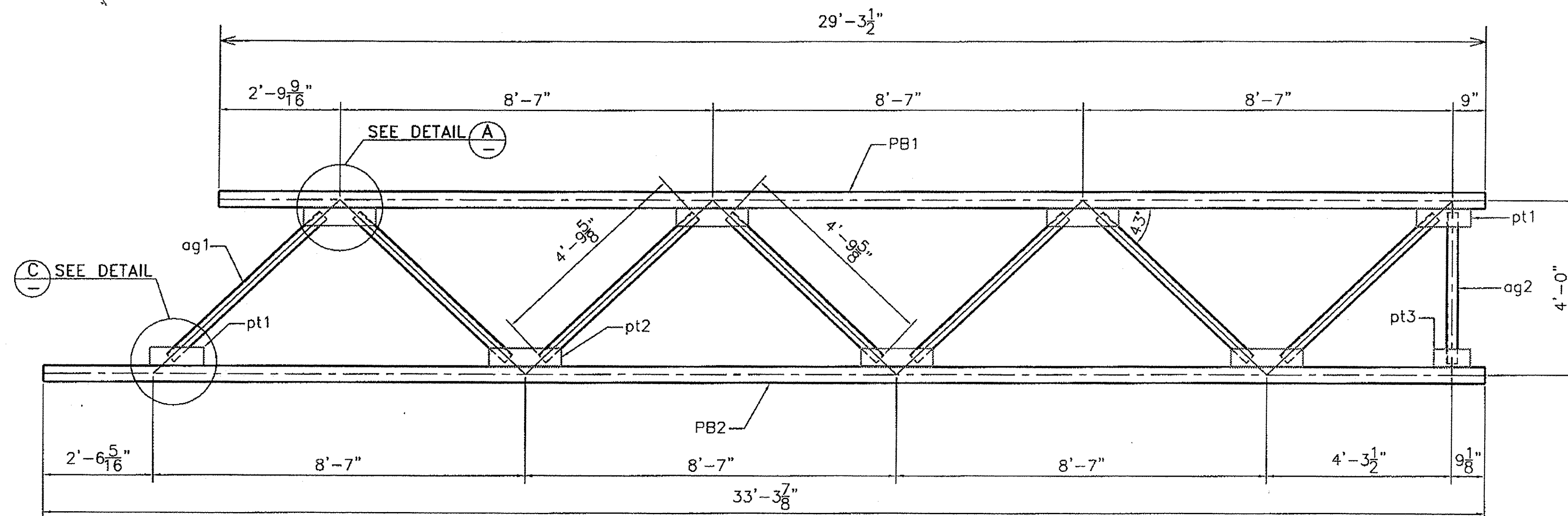
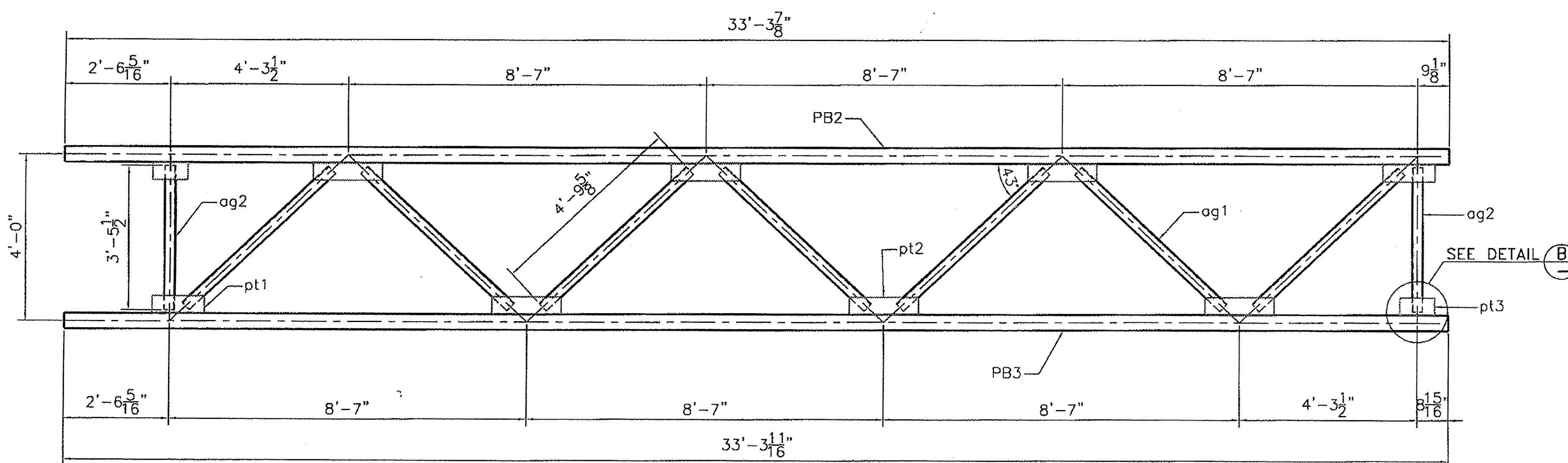


SIDE VIEW

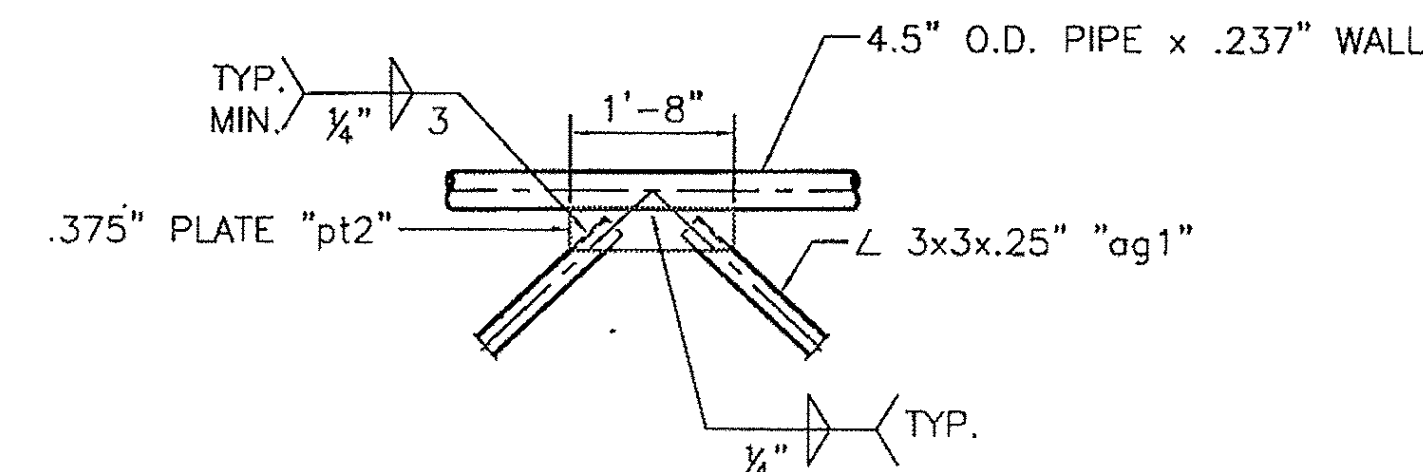


M VIEW

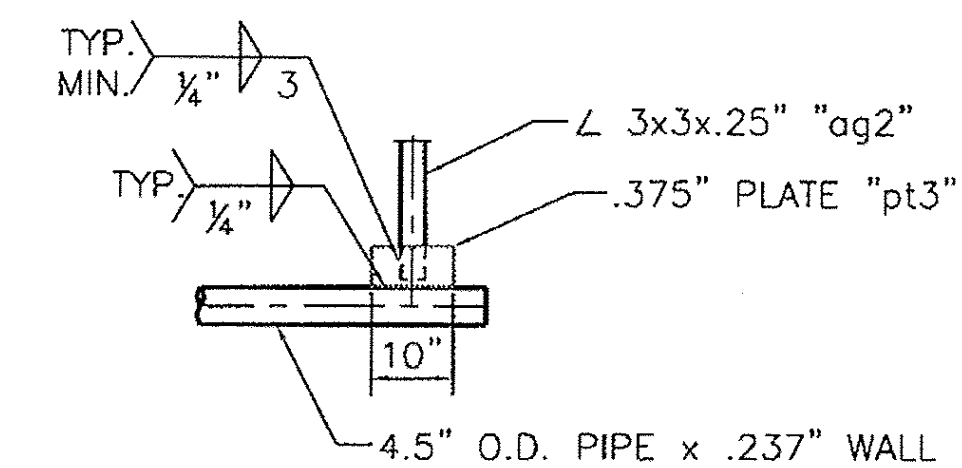


FRONT VIEW

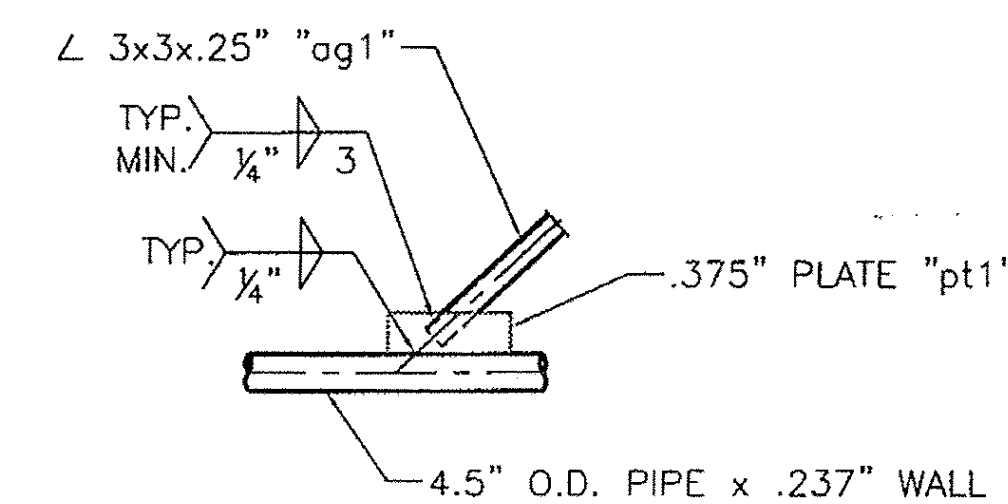
TRUSS TB1



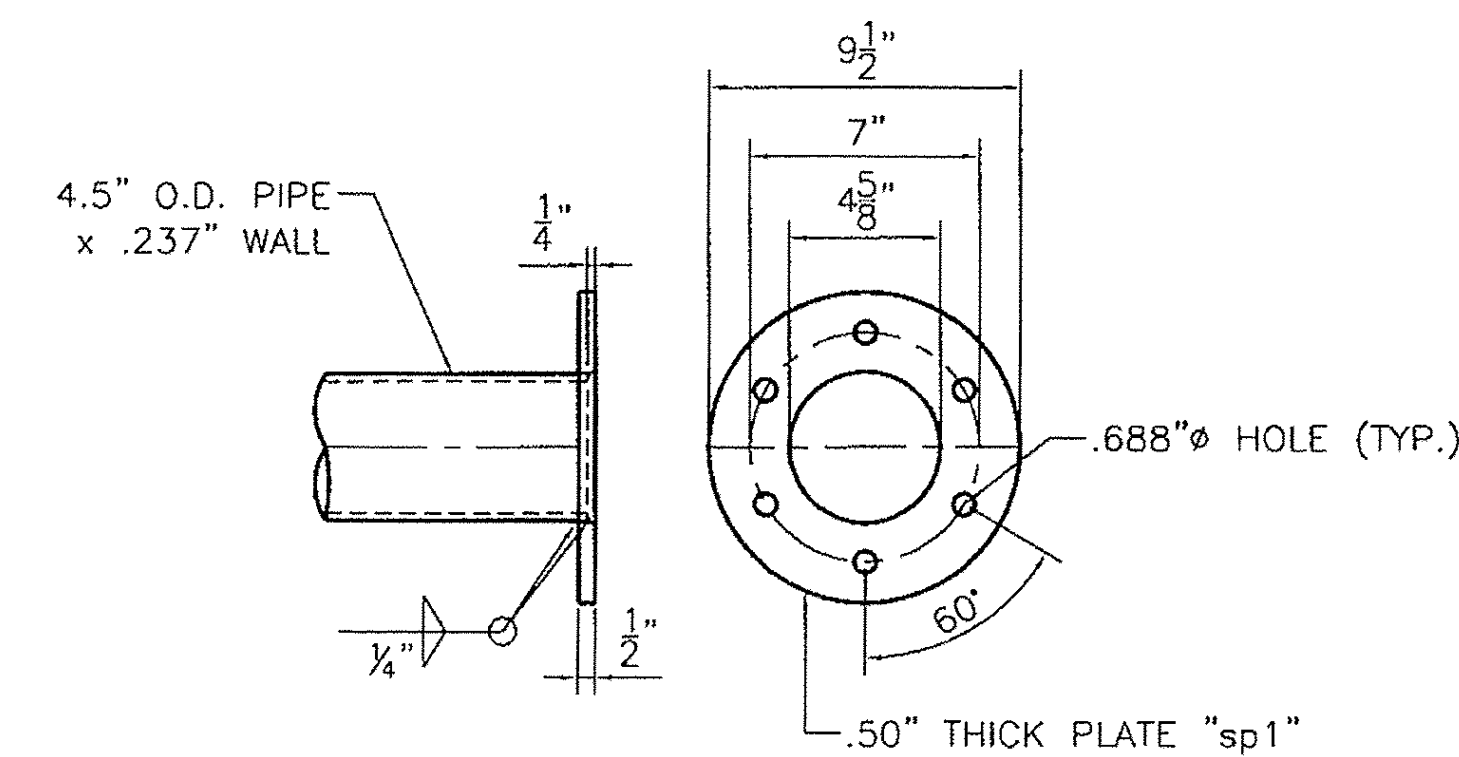
DETAIL "A"



DETAIL "B"



DETAIL "C"



SPLICE DETAIL



REVISIONS		
No.	Remarks	Date
0	Initial submittal	

<b>HIGHWAY SAFETY CORP.</b> GLASTONBURY, CT	DRAWN: <b>MHM</b> CHECKED: _____ DATE: <b>12/22/09</b> SCALE: <b>NTS</b> HSC REFERENCE NO.: <b>1729b</b>
	GENERAL CONTRACTOR: _____ SUB CONTRACTOR: <b>CCS Constructors LLC</b>