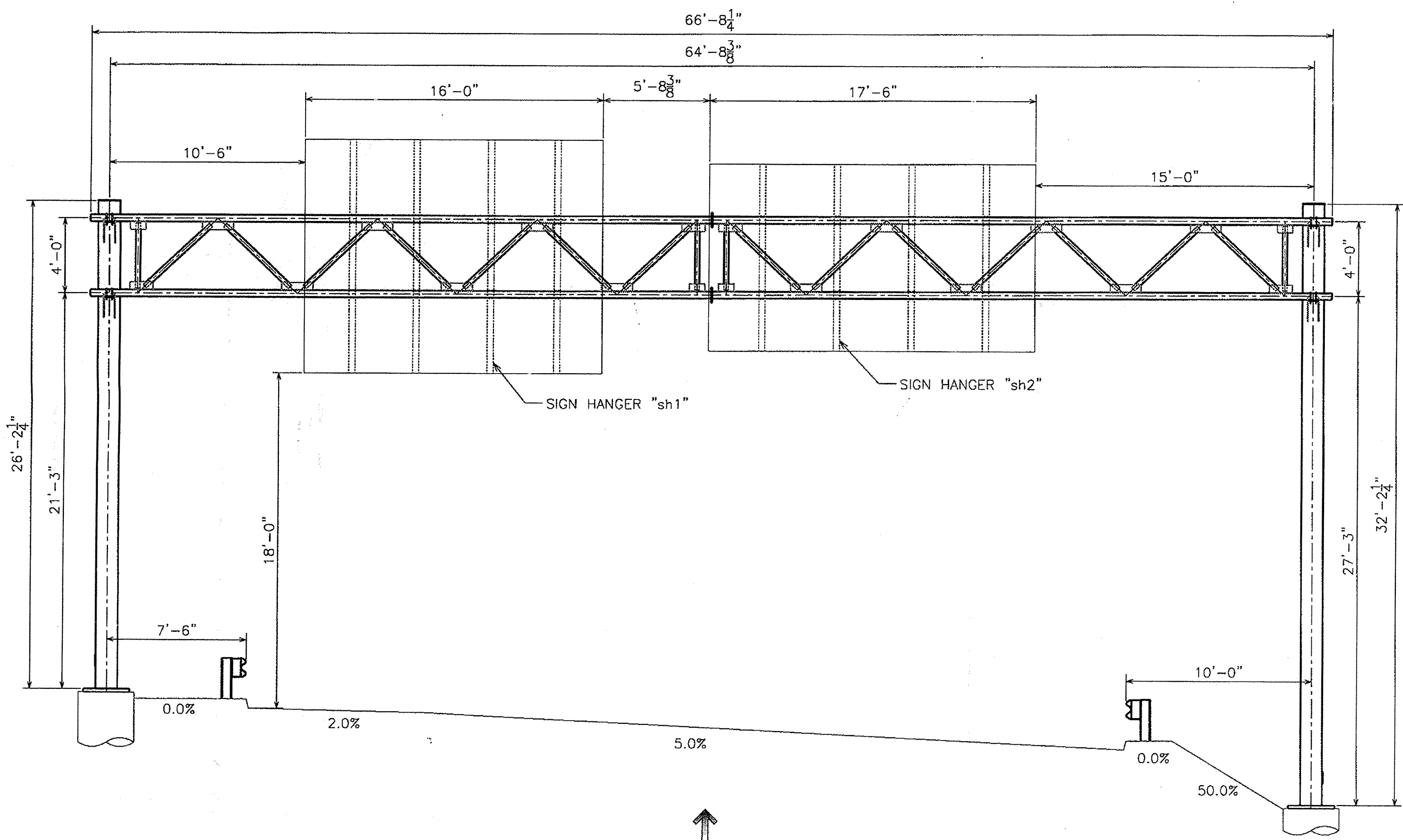
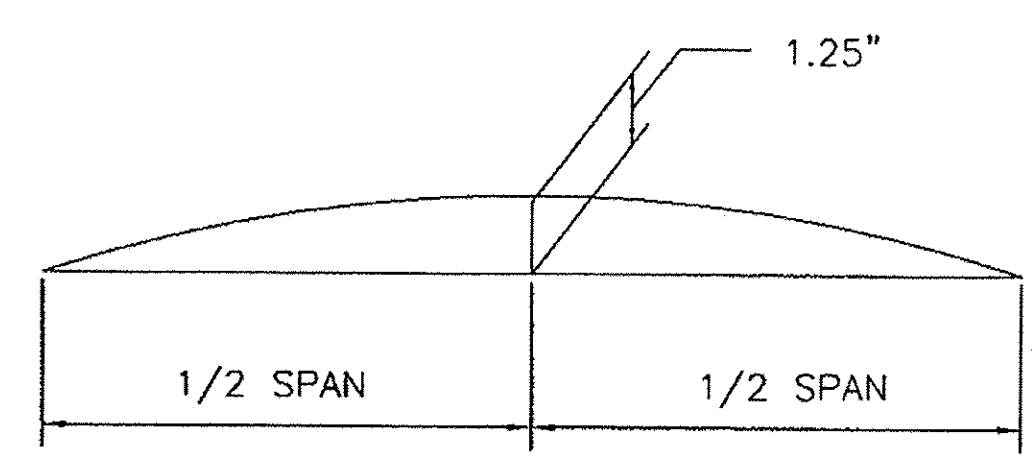


(A) VIEW



ELEVATION INTERCHANGE 7

LOOKING AT FACE OF SIGN  
(OUT OF PLANE CHORDS NOT SHOWN FOR CLARITY)  
*Berlin Exit 7*

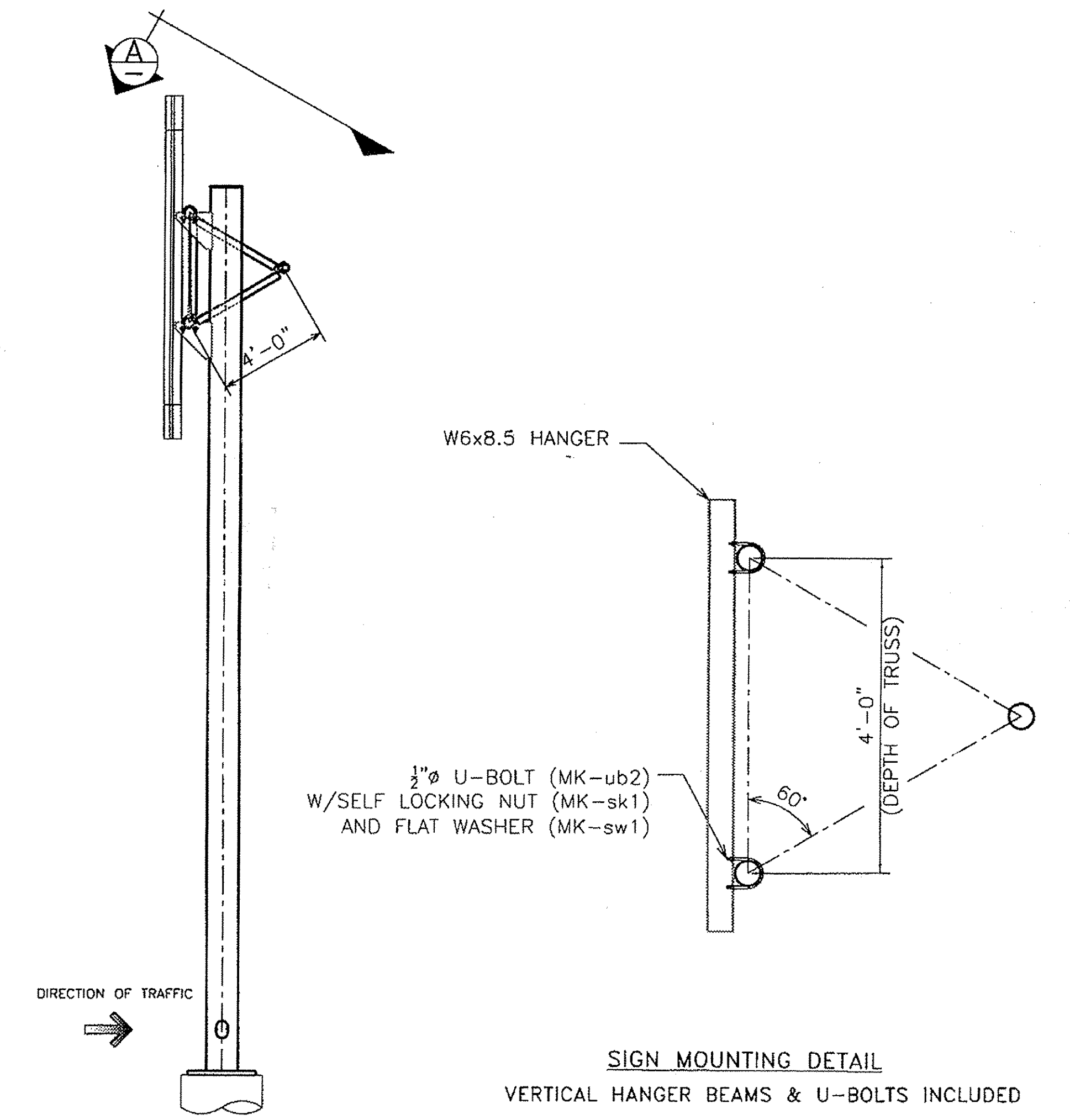


CAMBER DIAGRAM

NOTE:  
CAMBER WILL BE ACHIEVED BY SHORTENING LOWER CHORD PIPES BY AN AMOUNT SUCH THAT POSITIVE UPWARD DEFLECTION IS PRODUCED WHEN TRUSSES ARE BROUGHT TOGETHER AT SPLICES.

*Handwritten signature/initials*

REVISIONS		
No.	Remarks	Date
0	Initial submittal	



SIDE ELEVATION

NOTE:  
POST HEIGHT WAS SCALED OF THE CONTRACT DRAWINGS. CONTRACTOR TO VERIFY POST HEIGHT PRIOR TO FABRICATION.

SIGN MOUNTING DETAIL  
VERTICAL HANGER BEAMS & U-BOLTS INCLUDED

CCS Constructors LLC  
138 Munson Avenue  
Monroville VT 05361  
Ph: 802-858-7701 F: 802-888-4746



**HIGHWAY SAFETY CORP.**  
GLASTONBURY, CT

TRI CHORD OVERHEAD SIGN STRUCTURE SIGN 0.115 OH INTERCHANGE #7 PROJECT NUMBER IMG SIGN(19) ROYALTON - MIDDLESEX VERMONT AGENCY OF TRANSPORTATION	DRAWN: MHM CHECKED: DATE: 12/22/09 SCALE: N.T.S. PISC REFERENCE NO.: 1729b GENERAL CONTRACTOR: SUB CONTRACTOR: CCS Constructors LLC	SIZE: D REVISION: 0 SHEET NO.: 1 of 6
--	---	---