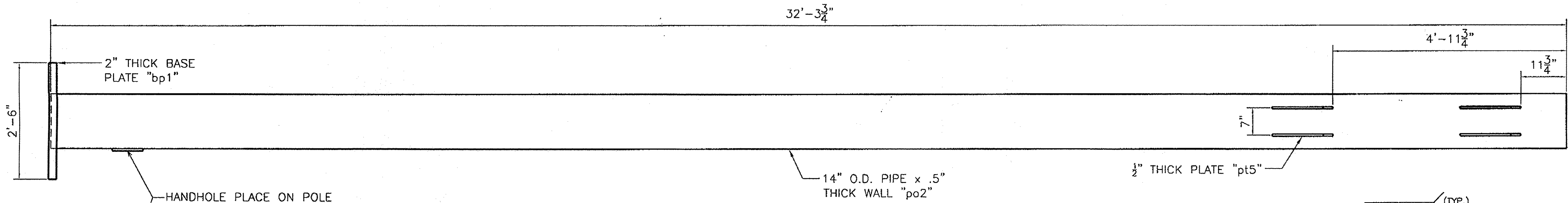
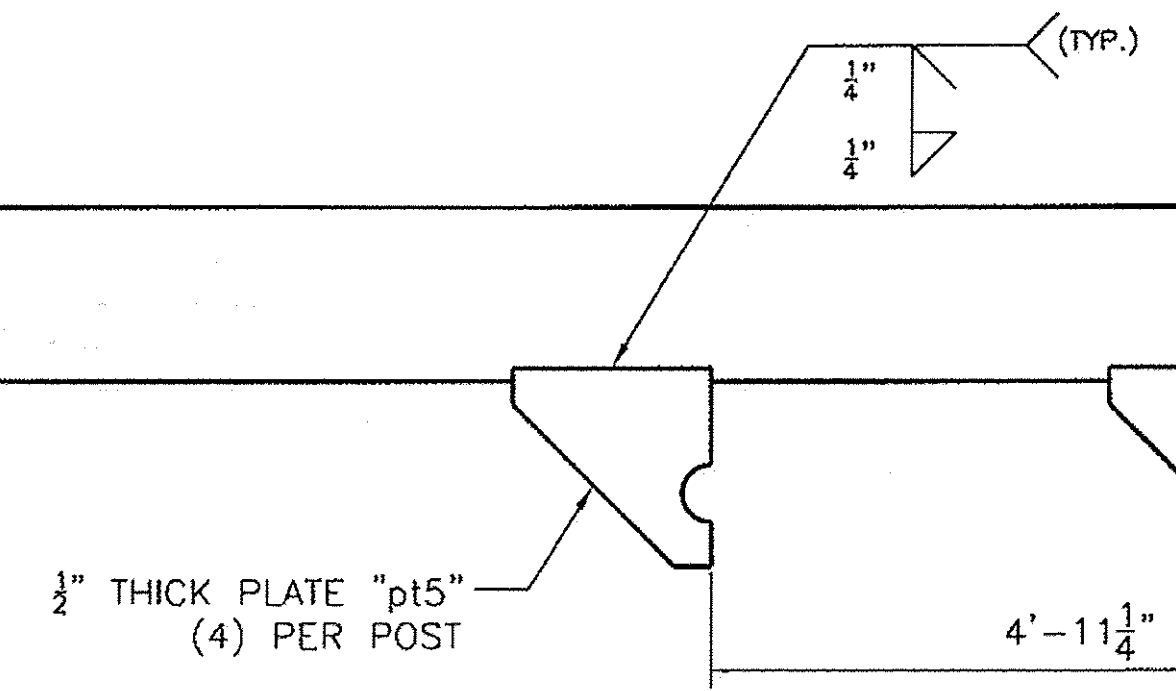


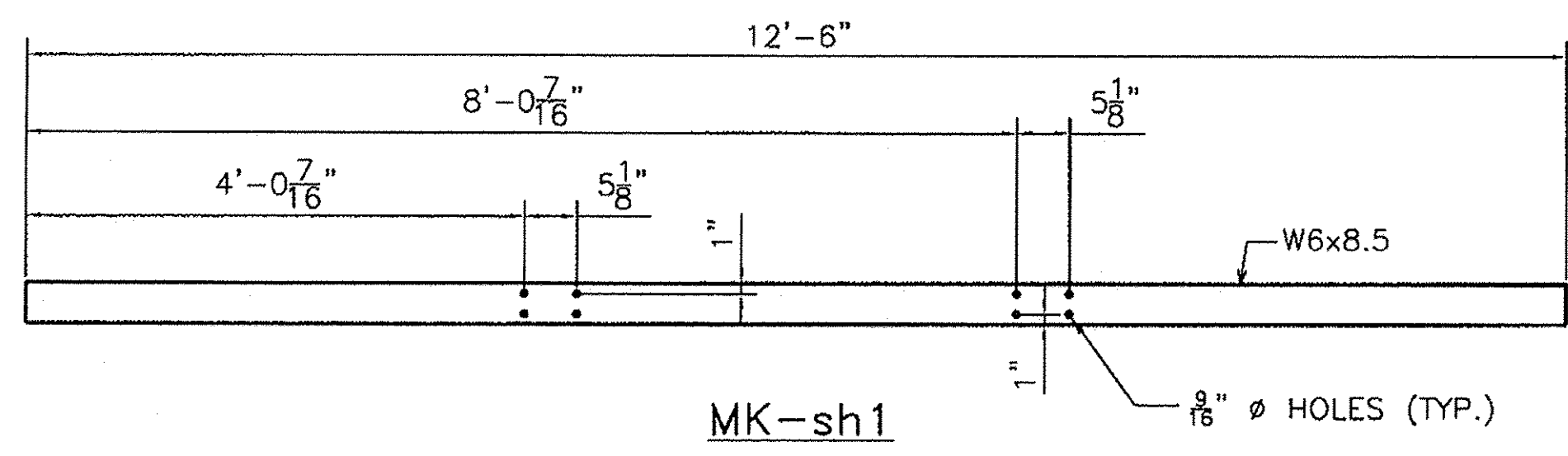
MK-1LT



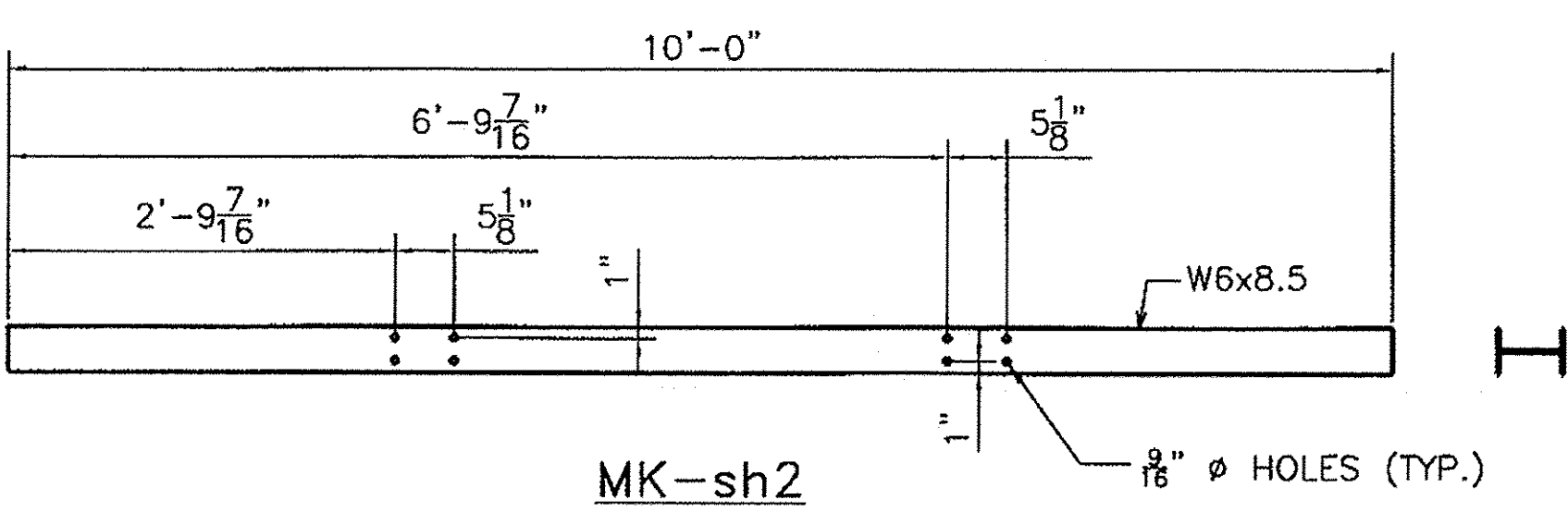
HANDHOLE PLACE ON POLE ON SIDE AWAY FROM TRAFFIC



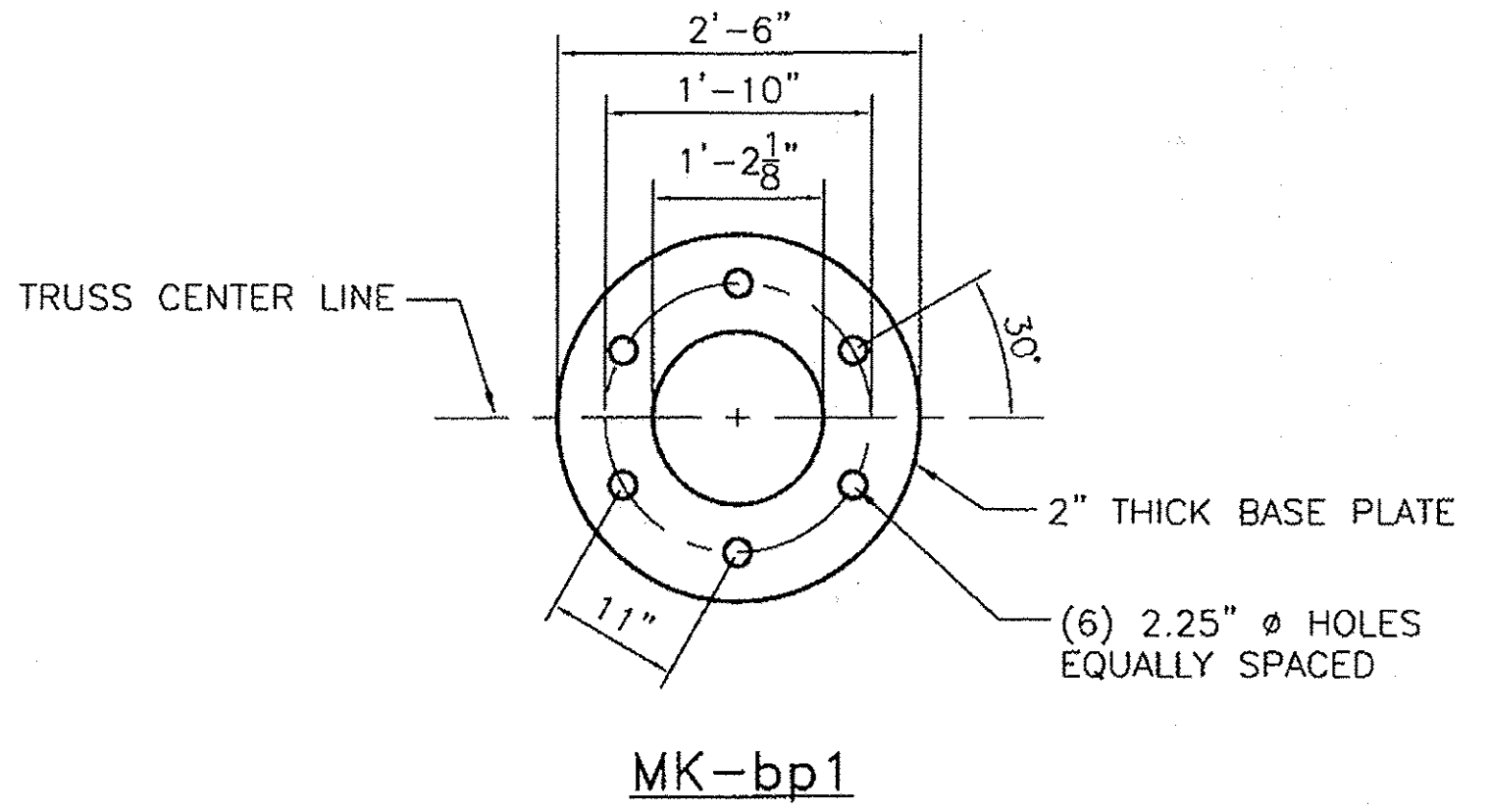
MK-1RT



MK-sh1



MK-sh2



MK-bp1

NOTE:
BASE PLATE SHALL BE STAMPED WITH THE VERTICAL POLE DIAMETER (VD.), HEIGHT (VHT.), YIELD STRENGTH (VYS.), GAUGE (VGE.), AND SAME FOR HORIZONTAL MEMBER (HD.), (HYS.), AND (HGE.).

REVISIONS		
No.	Remarks	Date
0	Initial submittal	



HIGHWAY SAFETY CORP.
GLASTONBURY, CT

TRI CHORD OVERHEAD SIGN STRUCTURE		DRAWN	MHM
SIGN 0.138 OH INTERCHANGE #6		CHECKED	
PROJECT NUMBER IMG SIGN(19)		DATE	12/22/09
ROYALTON - MIDDLESEX		SCALE	N.T.S.
VERMONT AGENCY OF TRANSPORTATION		HSC REFERENCE NO.	1729a
GENERAL CONTRACTOR		SIZE	D
		REVISION	0
SUB CONTRACTOR	CCS Constructors LLC	SHEET NO.	5 of 6