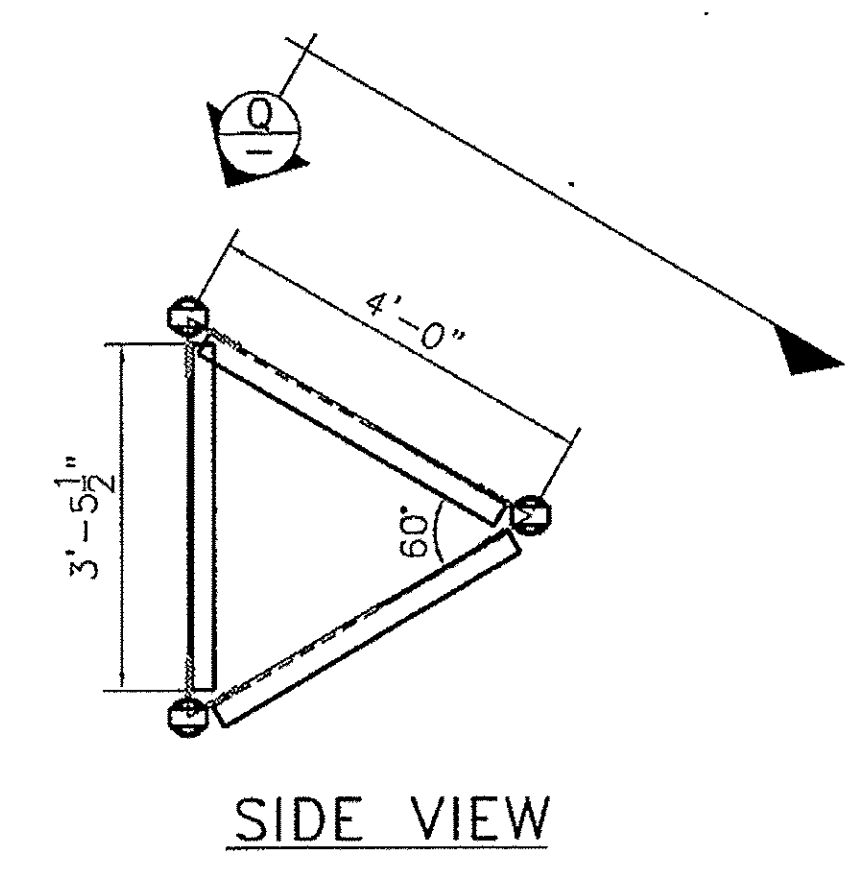
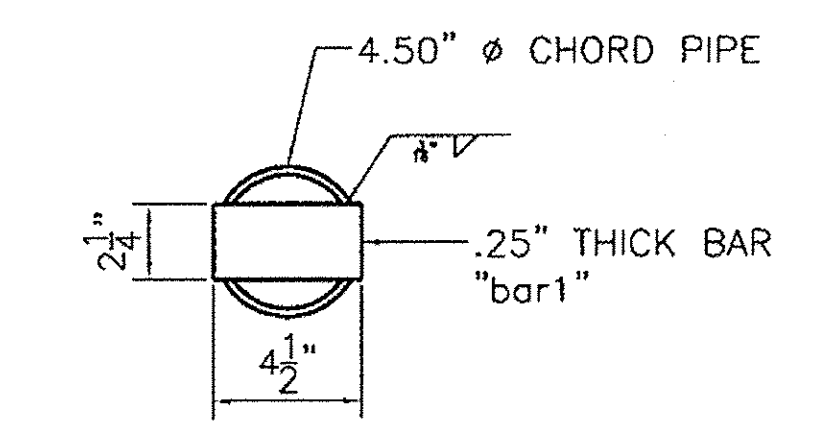


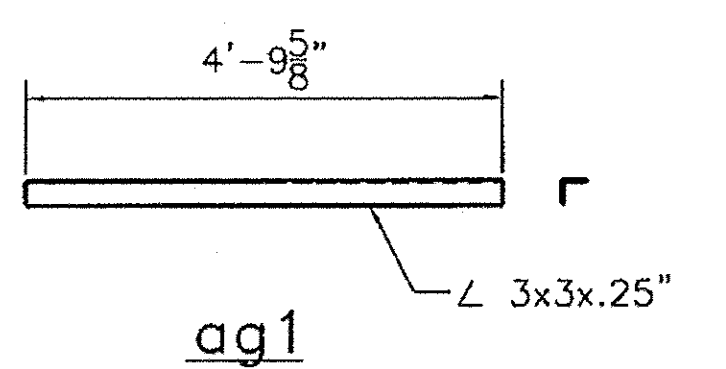
VIEW Q



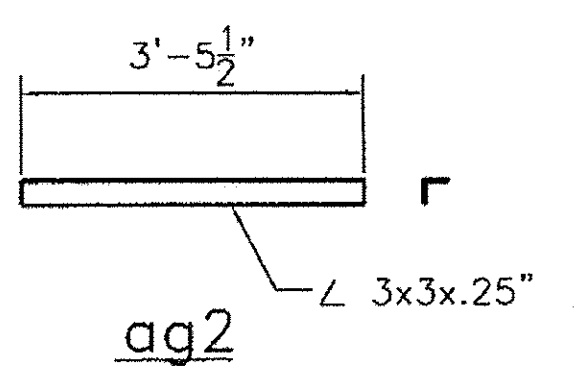
SIDE VIEW



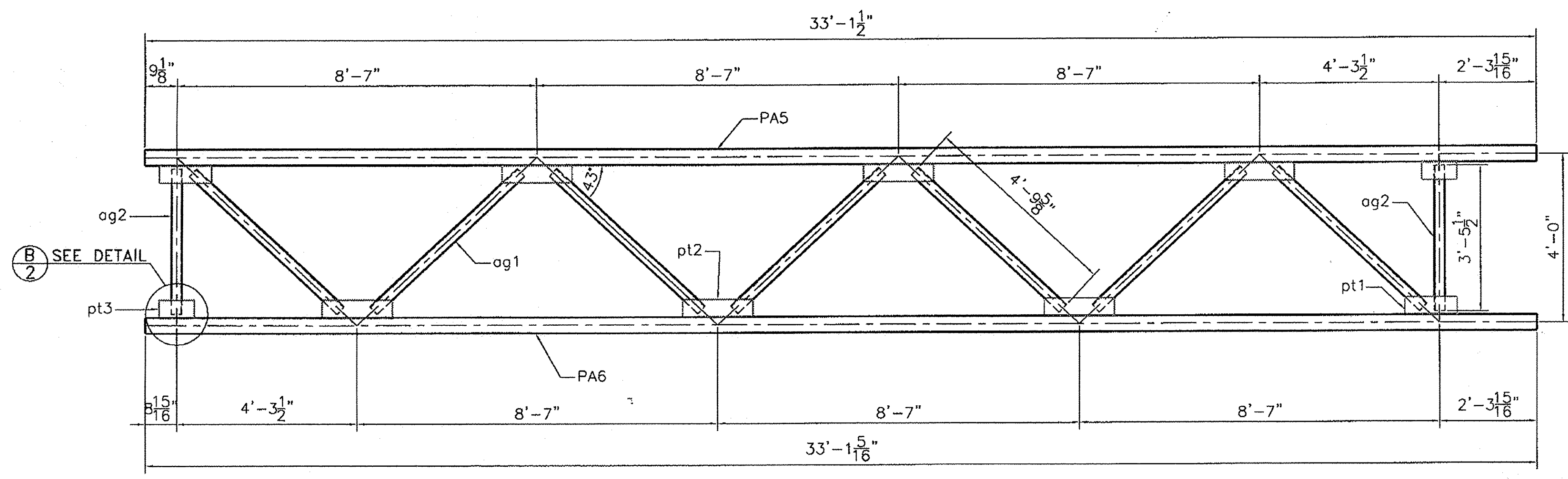
PIPE PLUG DETAIL
"EACH END OF TRUSS CHORD"



ag1



ag2



FRONT VIEW

TRUSS TA2

REVISIONS		
No.	Remarks	Date
0	Initial submittal	



HIGHWAY SAFETY CORP.
GLASTONBURY, CT

GENERAL CONTRACTOR	VERMONT AGENCY OF TRANSPORTATION	DATE	12/22/09
SUB CONTRACTOR	CCS Constructors LLC	SCALE	NTS
		MISC REFERENCE NO.	1729a
		SIZE	D
		REVISION	0
		SHEET NO.	3 of 6

TRI CHORD OVERHEAD SIGN STRUCTURE
SIGN 0.138 OH INTERCHANGE #6
PROJECT NUMBER IMG SIGN(19)
ROYALTON - MIDDLESEX

DRAWN: MHM
CHECKED:
DATE: 12/22/09
SCALE: NTS
MISC REFERENCE NO.: 1729a
SIZE: D
REVISION: 0
SHEET NO.: 3 of 6