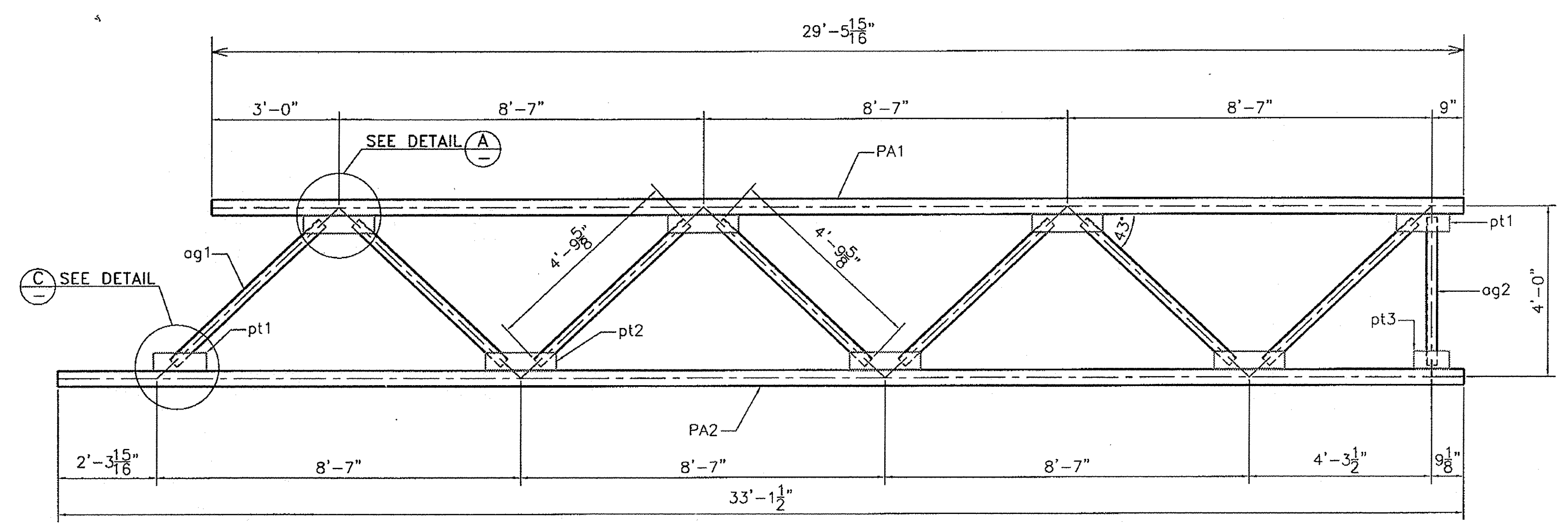
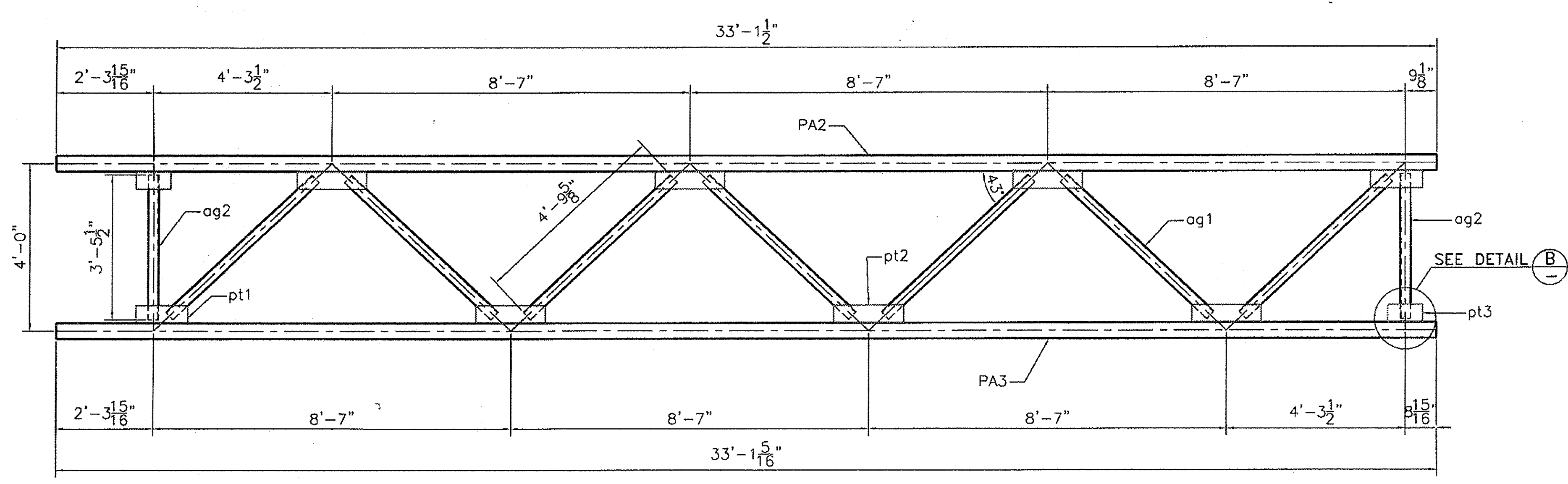


SIDE VIEW

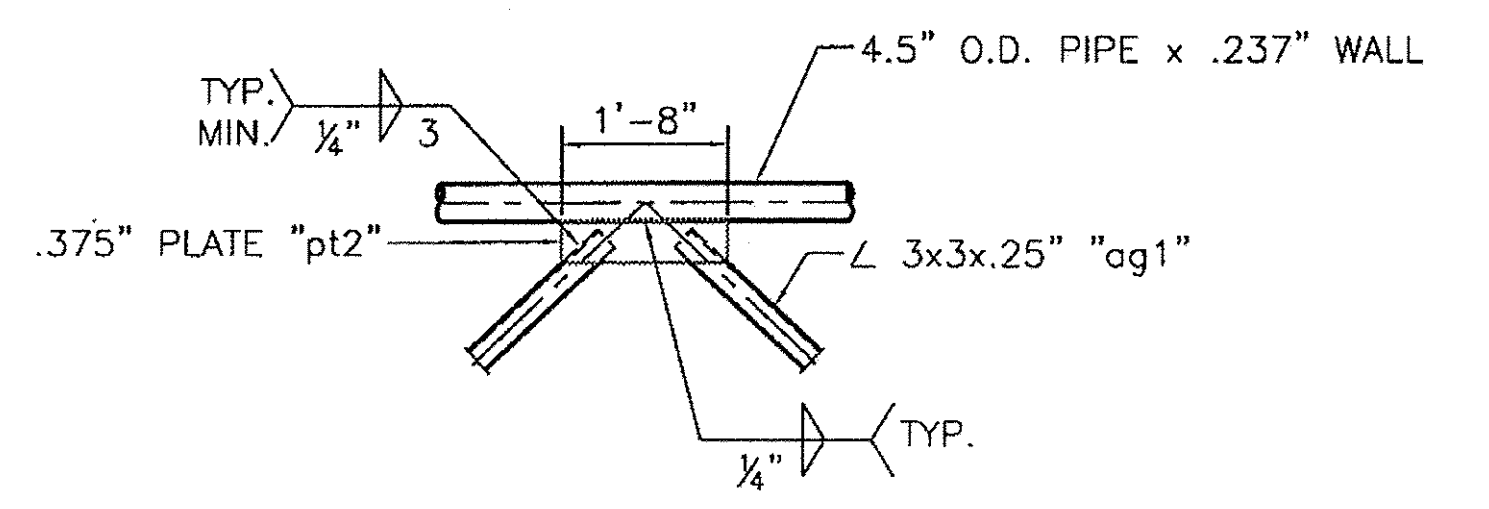


M VIEW

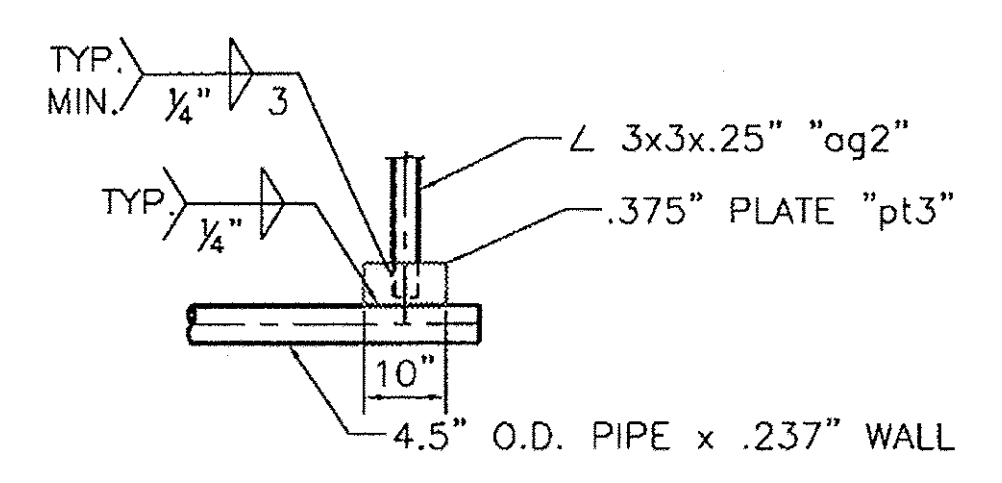


FRONT VIEW

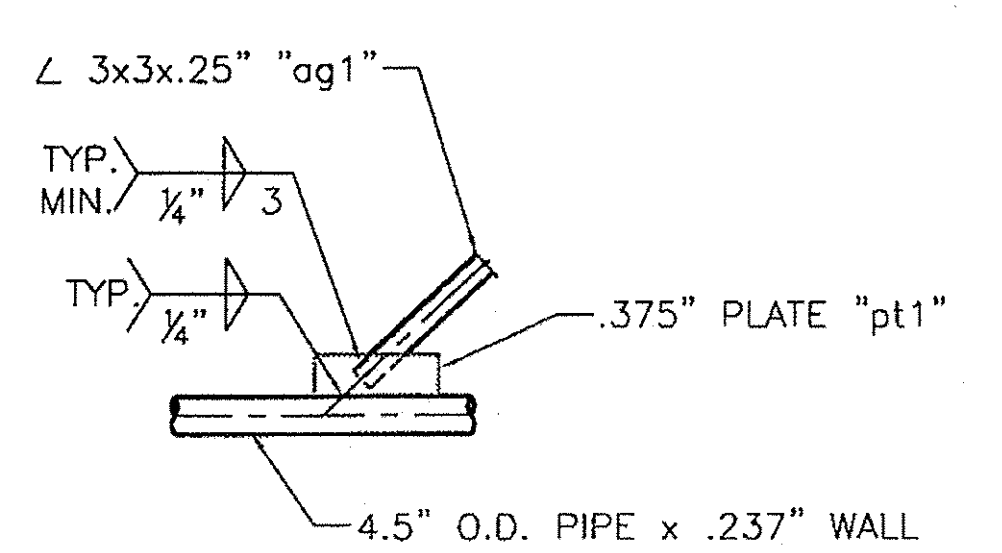
TRUSS TA1



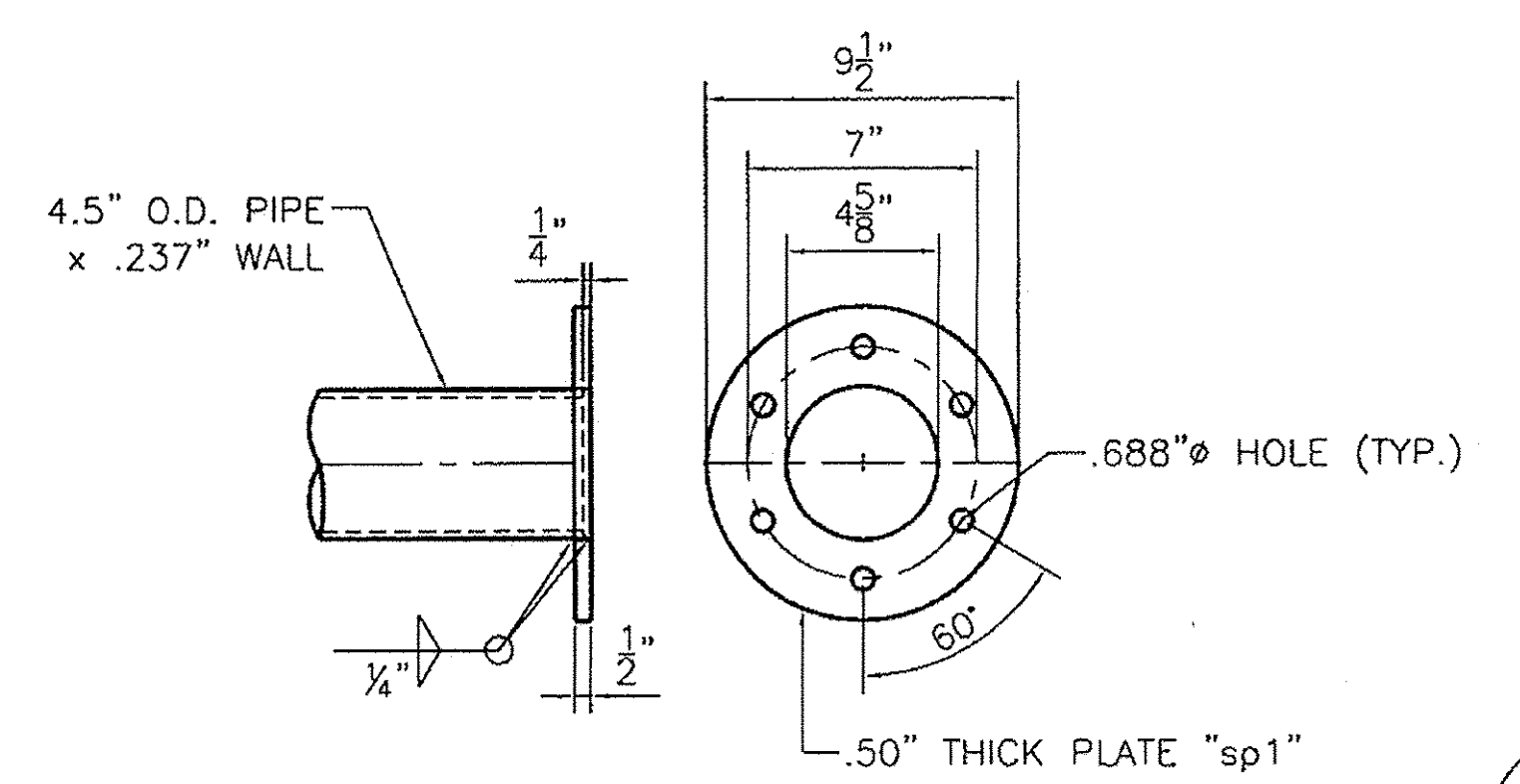
DETAIL "A"



DETAIL "B"



DETAIL "C"



SPLICE DETAIL



HIGHWAY SAFETY CORP.
GLASTONBURY, CT

TRI CHORD OVERHEAD SIGN STRUCTURE		DATE	12/22/09
SIGN 0.138 OH INTERCHANGE #6		SCALE	NTS
PROJECT NUMBER IMG SIGN(19)		HSC REFERENCE NO.	1729a
ROYALTON - MIDDLESEX		SIZE	D
VERMONT AGENCY OF TRANSPORTATION		REVISION	0
GENERAL CONTRACTOR		SHEET NO.	2 of 6
SUB CONTRACTOR	CCS Constructors LLC		

REVISIONS		
No.	Remarks	Date
0	Initial submittal	