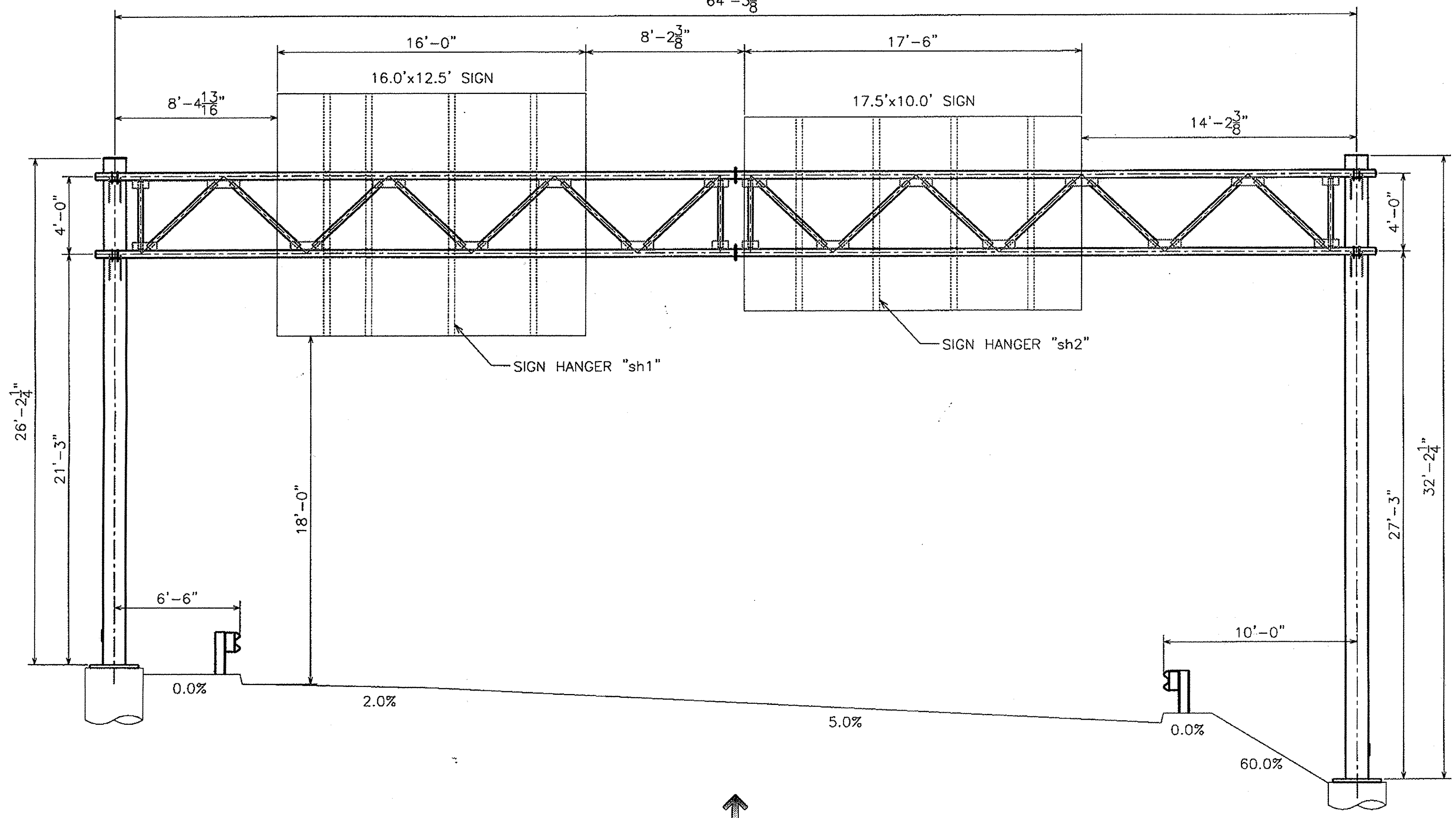
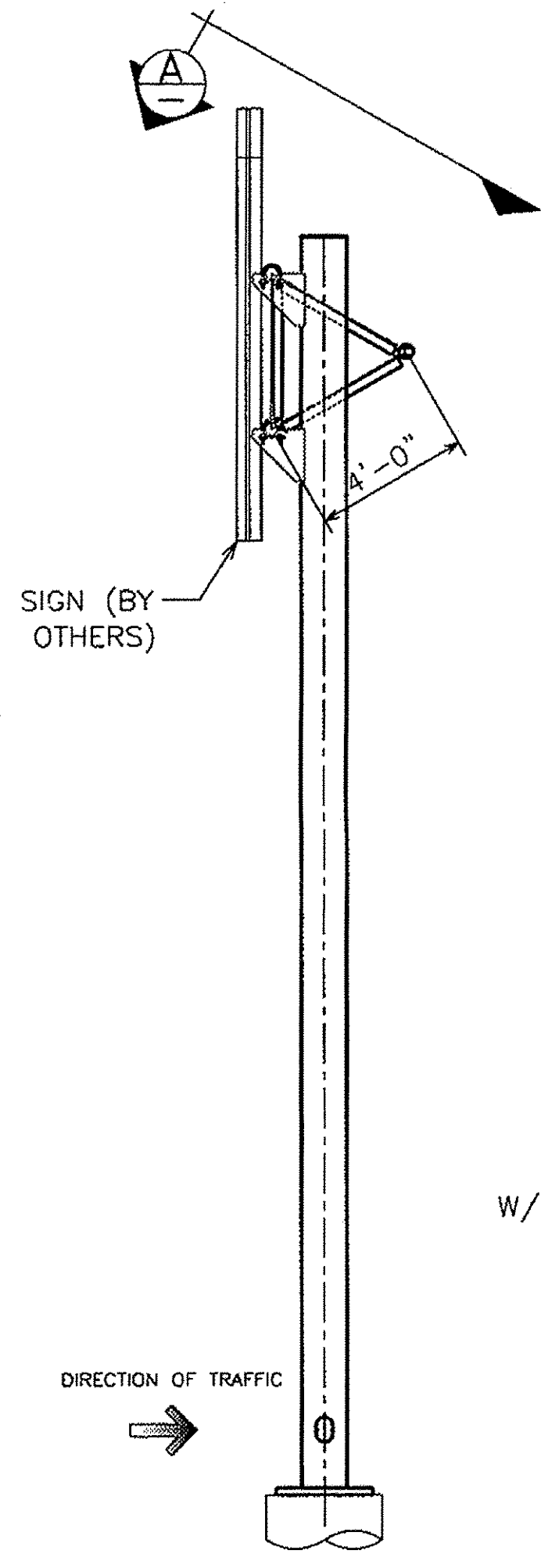


(A) VIEW
64'-3 5/8"

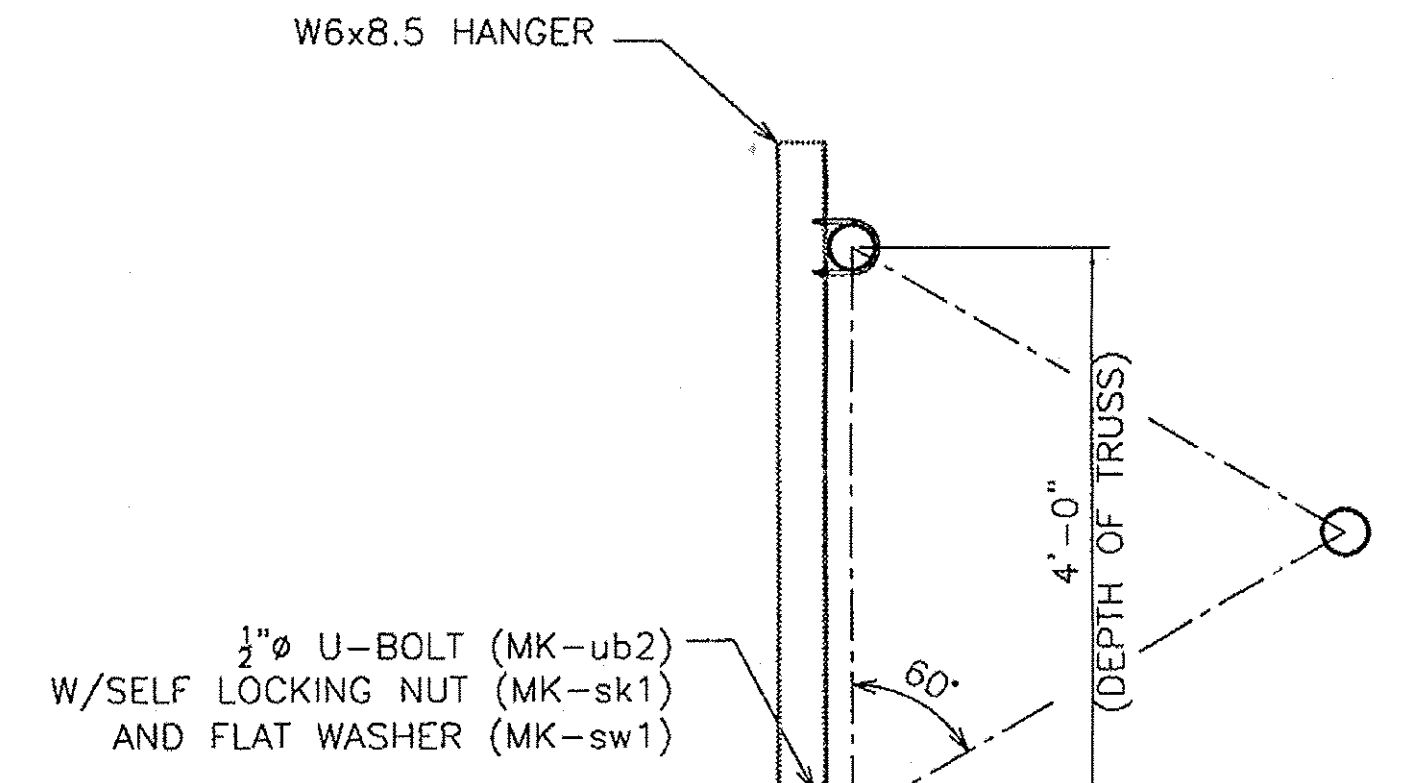


ELEVATION

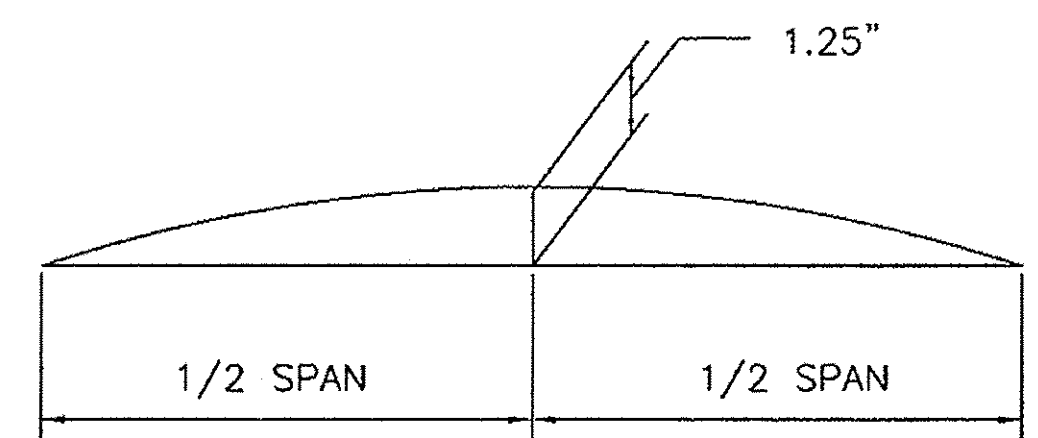
INTERCHANGE 6
LOOKING AT FACE OF SIGN
(OUT OF PLANE CHORDS NOT SHOWN FOR CLARITY)
So. BAITE



SIDE ELEVATION



SIGN MOUNTING DETAIL
VERTICAL HANGER BEAMS & U-BOLTS INCLUDED



CAMBER DIAGRAM

NOTE:
CAMBER WILL BE ACHIEVED BY SHORTENING LOWER CHORD PIPES BY AN AMOUNT SUCH THAT POSITIVE UPWARD DEFLECTION IS PRODUCED WHEN TRUSSES ARE BROUGHT TOGETHER AT SPLICES.

NOTE:
POST HEIGHT WAS SCALED OF THE CONTRACT DRAWINGS, CONTRACTOR TO VERIFY POST HEIGHT PRIOR TO FABRICATION.

REVISIONS		
No.	Remarks	Date
0	Initial submittal	



HIGHWAY SAFETY CORP.
GLASTONBURY, CT

DRAWN	MHM
CHECKED	
DATE	12/22/09
SCALE	N.T.S.
HSC REFERENCE NO.	1729a
GENERAL CONTRACTOR	
SIZE	D
REVISION	0
SUB CONTRACTOR	CCS Constructors LLC
SHEET NO.	1 of 6