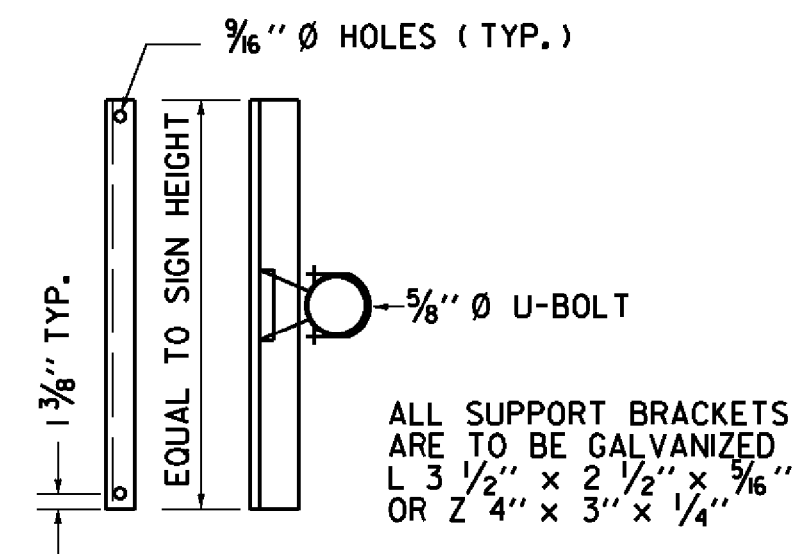


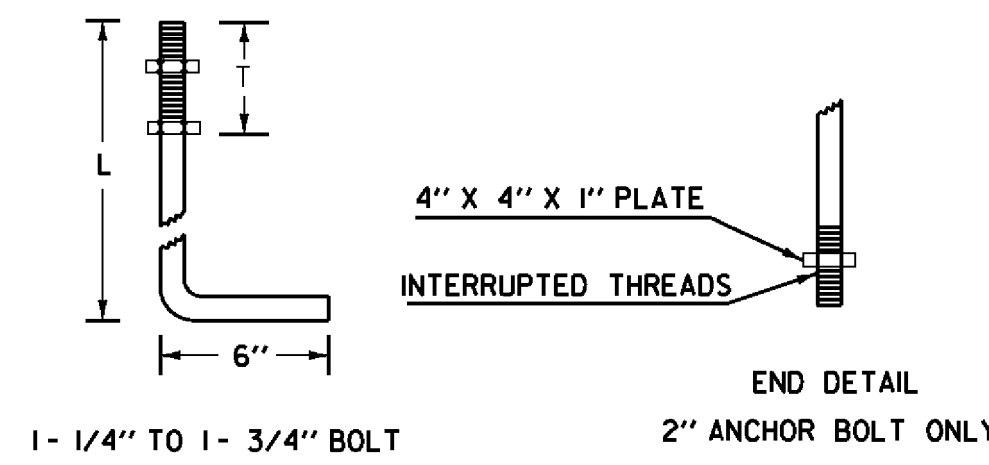
DETAIL A



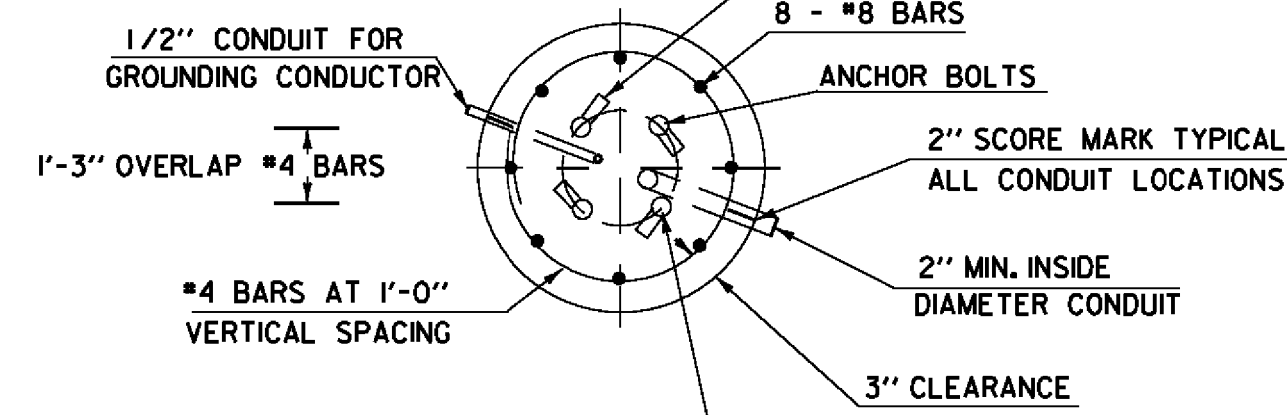
SIGN ON SINGLE MAST ARM

SIGN BRACKET DETAILS

ANCHOR BOLT DETAIL		
SIZE	L (IN)	T (IN)
1- 1/4" X 48"	42	8
1- 1/2" X 60"	54	9
1- 3/4" X 90"	84	9
2" X 96"	96	9



ANCHOR BOLT DETAIL



POSITION ANCHOR BOLTS TO ALLOW MINIMUM CLEARANCE OF 1-1/2" TO NEAREST REINFORCING STEEL.

SECTION

OVERHEAD TRAFFIC SIGN BRIDGE FOOTING DETAIL

(SPREAD FOOTINGS OR PILES ARE OPTIONAL)

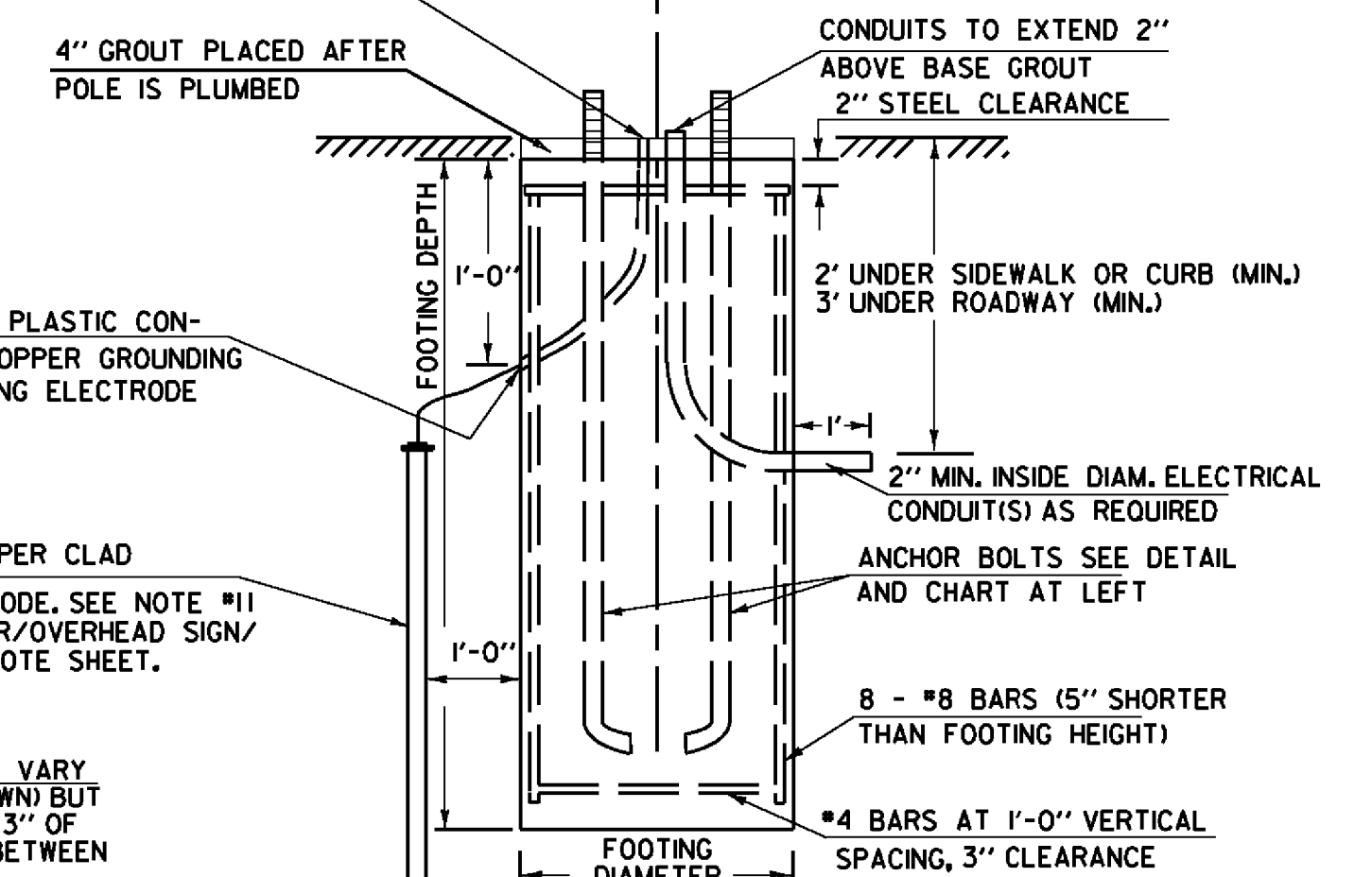
#6 SOFT DRAWN COPPER GROUNDING CONDUCTOR CONNECT TO GROUNDING LUG IN POLE

4" GROUT PLACED AFTER POLE IS PLUMBED

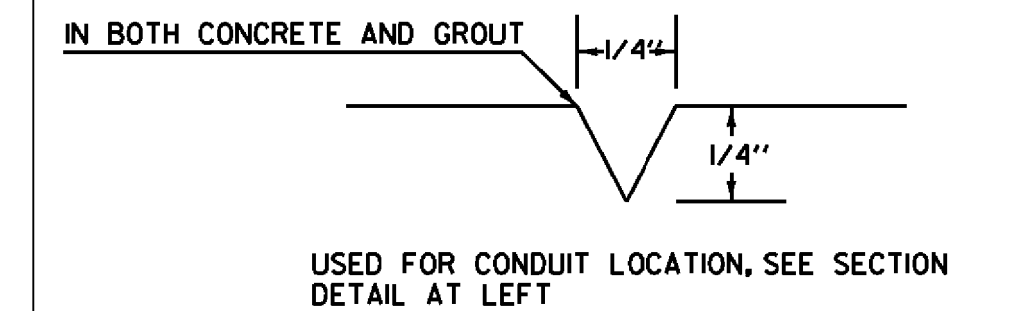
WEEP HOLE. INSTALL 1/2" FLEXIBLE PLASTIC CONDUIT FOR #6 AWG SOFT DRAWN COPPER GROUNDING CONDUCTOR. CONNECT TO GROUNDING ELECTRODE USING AN EXOTHERMIC WELD.

5/8" X 8" MIN. COPPER CLAD GROUNDING ELECTRODE. SEE NOTE #11 ON THE CANTILEVER/OVERHEAD SIGN/SIGNAL SUPPORT NOTE SHEET.

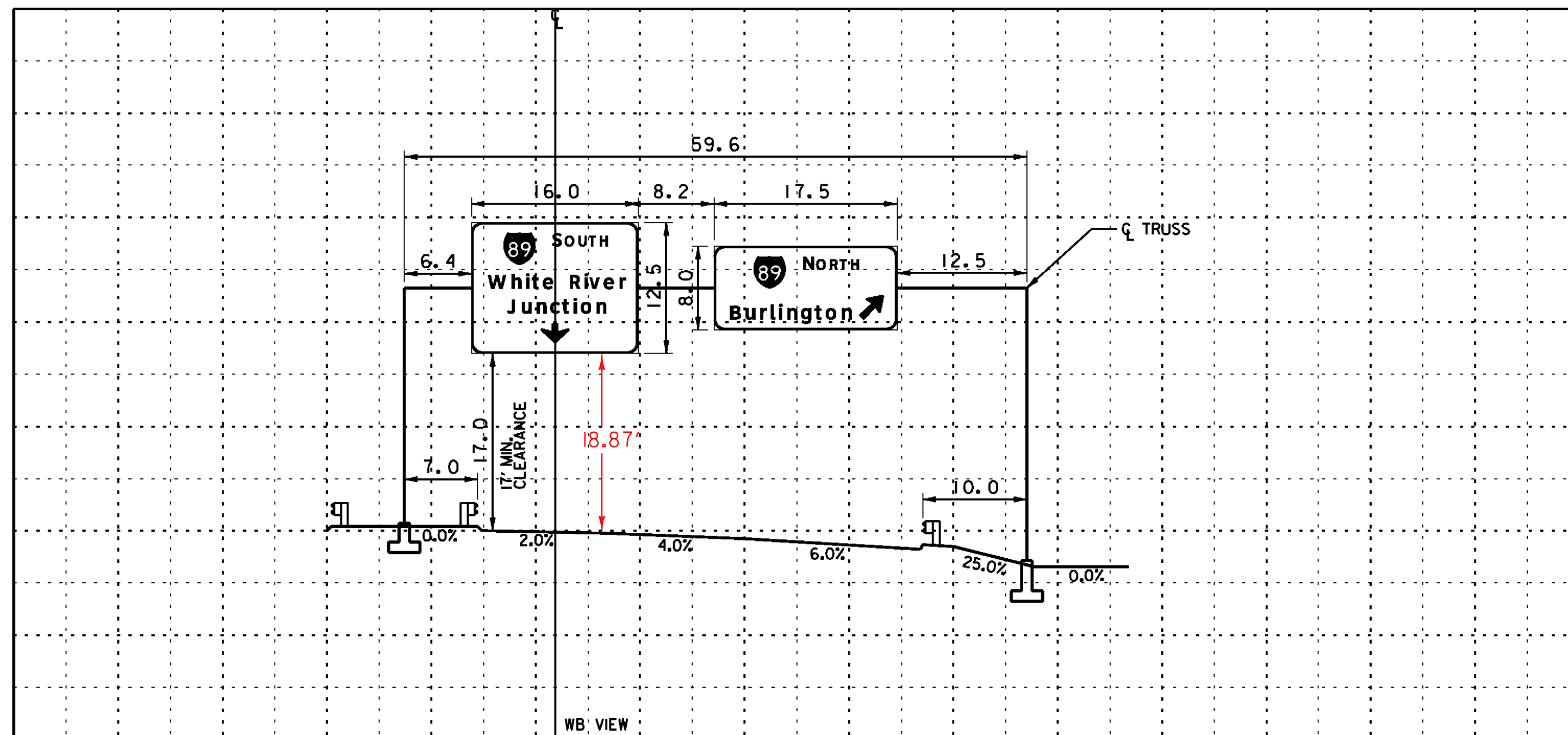
ANCHOR BOLT ORIENTATION MAY VARY (TOED-IN, TOED-OUT OR AS SHOWN) BUT THERE MUST BE A MINIMUM OF 3" OF COVER AND 3" OF CLEARANCE BETWEEN BOLTS.



ELEVATION



2" SCORE MARK DETAIL



OVERHEAD SIGN BRIDGE CROSS SECTION

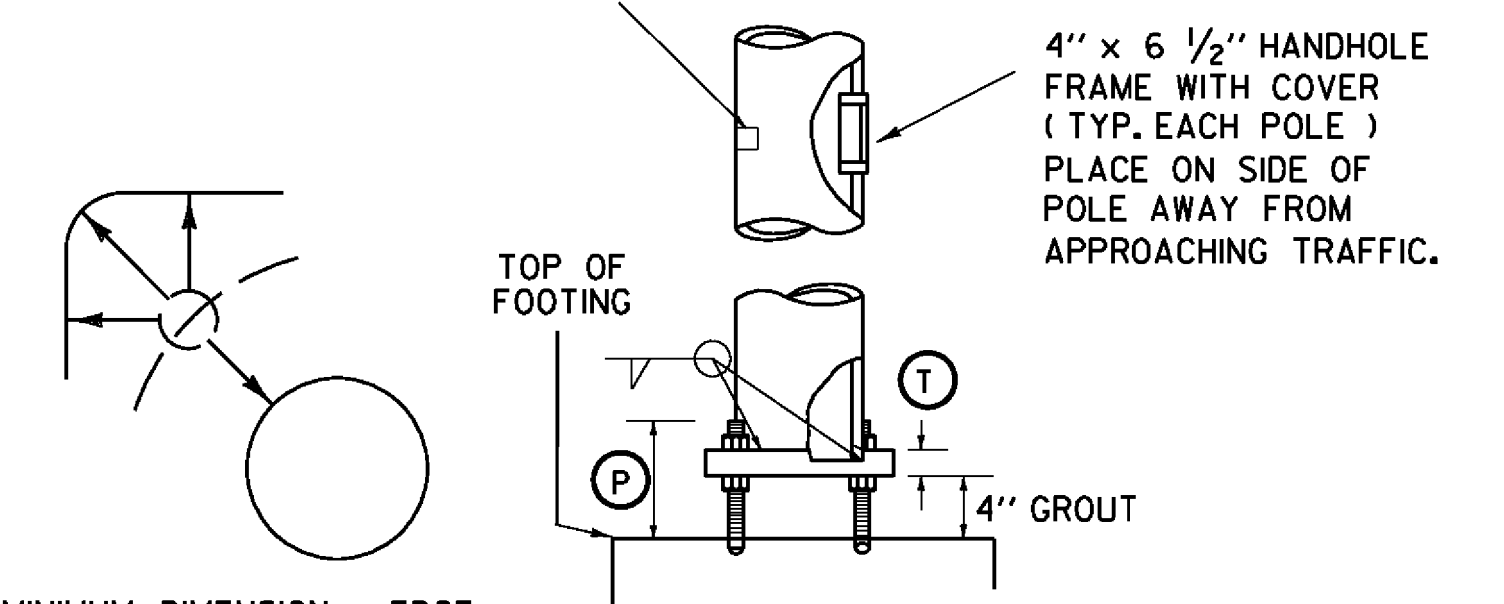
(SEE SHEET 41 FOR LOCATION PLAN)

SCALE 1" = 10'

NOTES:

- SEE OVERHEAD SIGN SUPPORT NOTES SHEET FOR ADDITIONAL INFORMATION.
- MANUFACTURER TO DETERMINE TYPE OF STRUCTURE REQUIRED.
- MONOTUBES SHALL NOT BE USED FOR SIGNS OVER 10' IN HEIGHT.
- MINIMUM CLEARANCE FROM SIGNS TO ROADWAY IS 17'.

GROUND WIRES SHALL BE CONNECTED TO THE GROUNDING LUG INSIDE THE HANDHOLE ACCESS.



MINIMUM DIMENSION - EDGE OF BOLT HOLE TO EDGE OF BASE PLATE OR FACE OF UPRIGHT = ANCHOR BOLT DIA.

SEE DETAIL AT LEFT

ALIGN POLE BASE 90° TO HORIZONTAL MEMBER(S)

POLE BASE AND BASE PLATE DETAIL

NOTE: DETAILS NTS

OVERHEAD TRAFFIC SIGN BRIDGE / FOOTING DETAIL SHEET

LAST REVISED 8/15/95

**INTERCHANGE #8
MONTPELIER S.H.
M.M. 0.102 LT**

PROJECT NAME: ROYALTON-MIDDLESEX

PROJECT NUMBER: IMG SIGN(19)

FILE NAME: z09a020overhead.dgn

PROJECT LEADER: CRB

DESIGNED BY: JBJ

CLD REF. NO.: 09-0106

PLOT DATE: 8/12/2009

DRAWN BY: JBJ

CHECKED BY: BDB

SHEET 157 OF 163