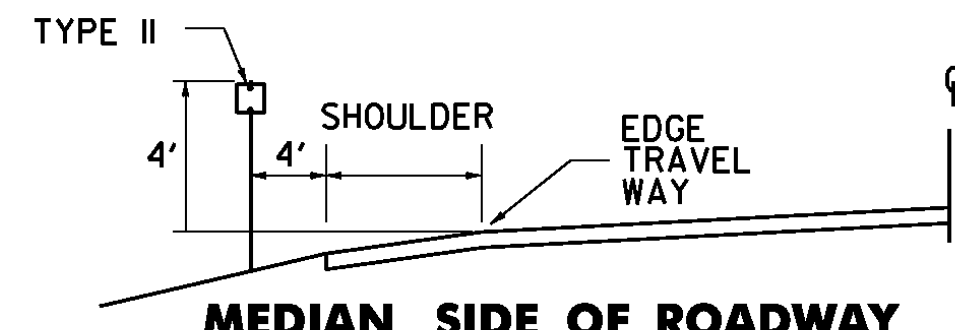
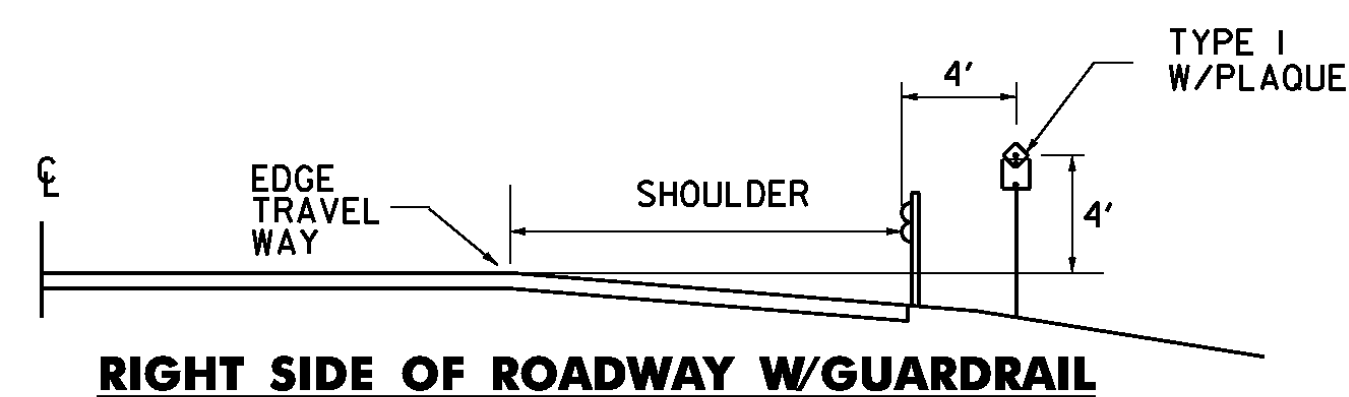


RIGHT SIDE OF ROADWAY



MEDIAN SIDE OF ROADWAY



RIGHT SIDE OF ROADWAY W/GUARDRAIL

TYPICAL PLACEMENT OF DELINEATORS AND MILEPOSTS ON DIVIDED HIGHWAY

TYPE I DELINEATORS WITH WHITE REFLECTOR UNITS AND APPROPRIATE MILEPOST PLAQUES SHALL BE ERECTED CONTINUOUSLY ALONG THE RIGHT SIDE IN THE DIRECTION OF TRAVEL OF THE DIVIDED HIGHWAY BETWEEN MILE MARKERS AT 0.05 MILE INTERVALS.

TYPE I DELINEATORS WITH OR WITHOUT MILEPOST PLAQUES SHALL BE OMITTED ALONG DECELERATION AND ACCELERATION LANES, BUT THE SUCCEEDING SPACING SHALL BE AS IF THE DELINEATORS HAD BEEN ERECTED CONTINUOUSLY.

THE LOCATION OF TYPE I DELINEATORS AND MILEPOSTS ARE TO BE COMPUTED AND MARKED IN THE FIELD BY THE ENGINEER IN ACCORDANCE WITH THE LATEST REVISION OF THE AGENCY'S "POLICY ON LOCATION MARKING FOR VERMONT DIVIDED HIGHWAYS."

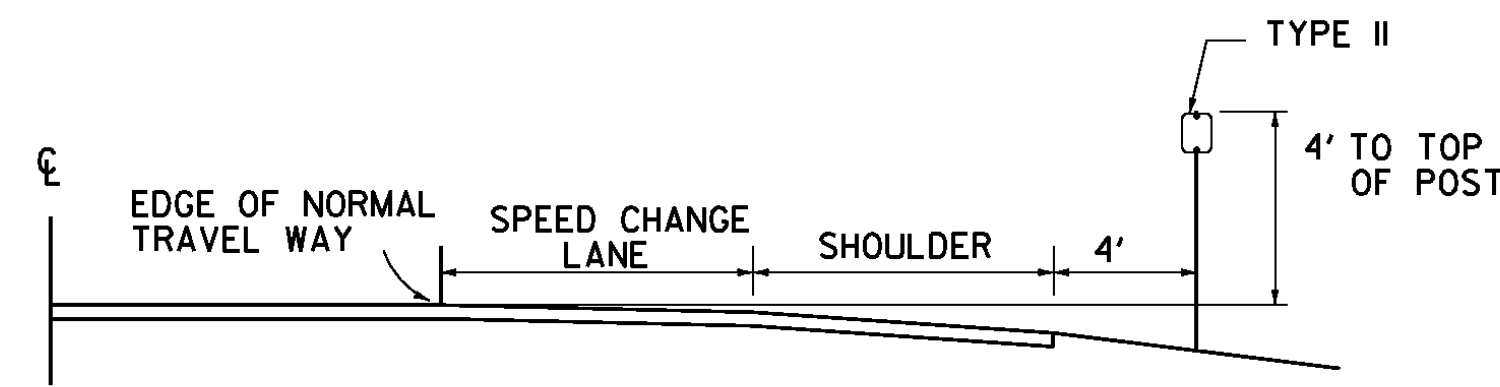
YELLOW TYPE II DELINEATORS SHALL BE ERECTED CONTINUOUSLY ALONG THE LEFT (MEDIAN) SIDE OF THE DIVIDED HIGHWAY AT 0.10 MILE INTERVALS AND CONTINUED AT APPROXIMATELY THE SAME SPACING THROUGH INTERCHANGES AND REST AREAS WHERE THERE MAY NOT BE ANY TYPE I DELINEATORS ON THE RIGHT SIDE. PLACEMENT OF TYPE II DELINEATORS SHALL BE FOLLOWED ON THE LEFT AS ON THE RIGHT.

TYPE I DELINEATORS WITHOUT PLAQUE SHALL BE ERECTED AT THE BEGINNING (BLUE) AND AT THE END (GREEN) OF EACH GUARDRAIL RUN.

TYPE III DELINEATORS

TYPE III DELINEATORS WILL BE TYPE I DELINEATORS WITH AN ADDITIONAL RED REFLECTIVE UNIT MOUNTED ON THE REVERSE SIDE. THEY SHALL BE ERECTED ON THE RIGHT AND LEFT SIDE OF THE RAMP AS SHOWN ON THE PLANS.

TYPE III DELINEATORS SHALL BEGIN 50'-0" FROM THE WRONG WAY SIGNS AND EXTEND EVERY 50'-0" TO A POINT NOT LESS THAN 25'-0" FROM THE INTERSECTING ROAD. SEE STANDARD E-197.

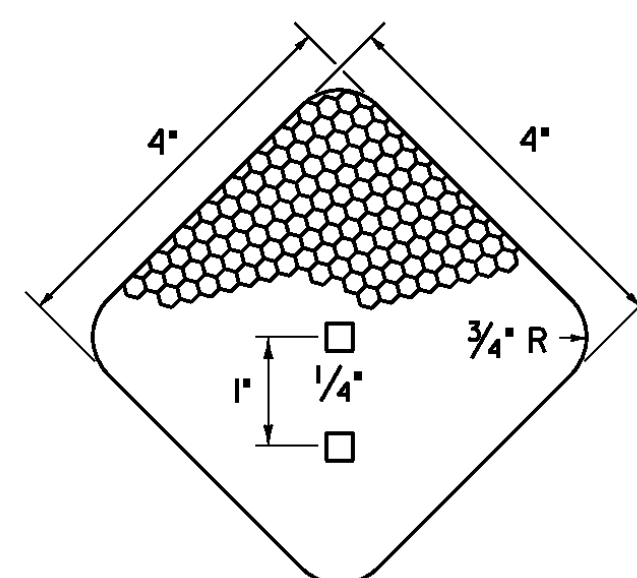


TYPICAL PLACEMENT OF TYPE II DELINEATORS ON SPEED CHANGE LANES

TYPE II DELINEATORS SHALL BE ERECTED CONTINUOUSLY ALONG THE RIGHT SIDE OF THE DECELERATION AND ACCELERATION LANES AT 100' INTERVALS INCLUDING GUARDRAIL SECTIONS. THE DELINEATORS SHALL START AT THE BEGINNING OF THE TAPER AND END AT THE NOSE OF THE EXIT OR ENTRANCE GORE. THEY SHALL HAVE WHITE REFLECTOR UNITS.

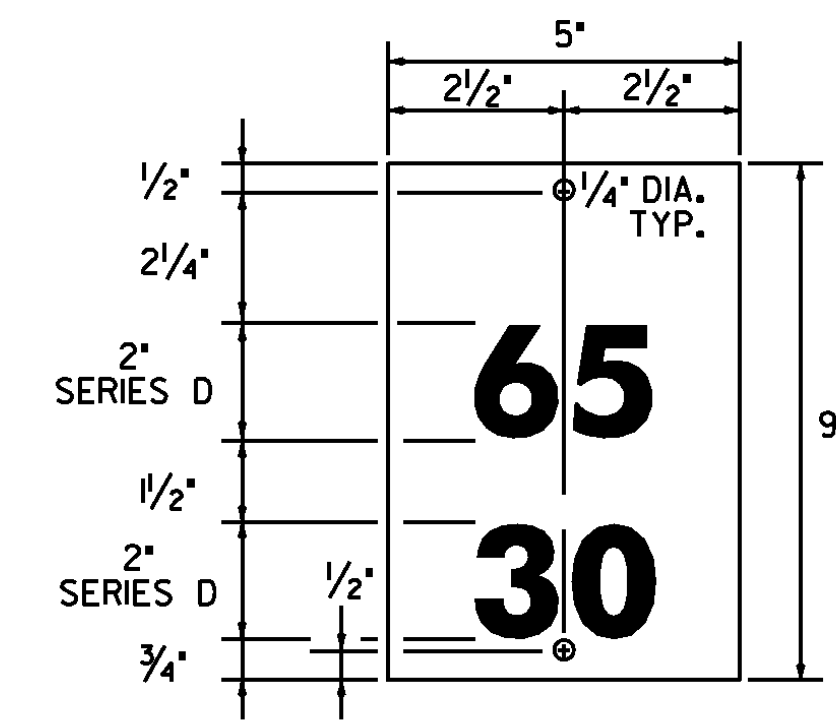
NOTES

1. REFER TO STANDARD E-197 FOR DELINEATOR PLACEMENT DETAILS. WHERE DISCREPANCIES EXIST BETWEEN E-197 AND THIS SHEET, THE DETAILS ON THIS SHEET SHALL GOVERN.
2. FOR MOUNTING DELINEATORS AND MILEPOSTS ON BRIDGES, SEE STANDARD E-199
3. DELINEATOR POSTS SHALL BE 1.75" X 1.88 LB/FT SQUARE STEEL, AND A MINIMUM OF 8 FEET LONG.
4. DELINEATOR POSTS SHALL HAVE A MINIMUM EMBEDMENT OF 2'-6" IN THE GROUND.
5. WHEN USING DELINEATORS AND MILEPOSTS ON STEEP SLOPES (1 ON 2 OR STEEPER) OR ERODED SOILS ADD ONE FOOT FOR GREATER STABILITY.



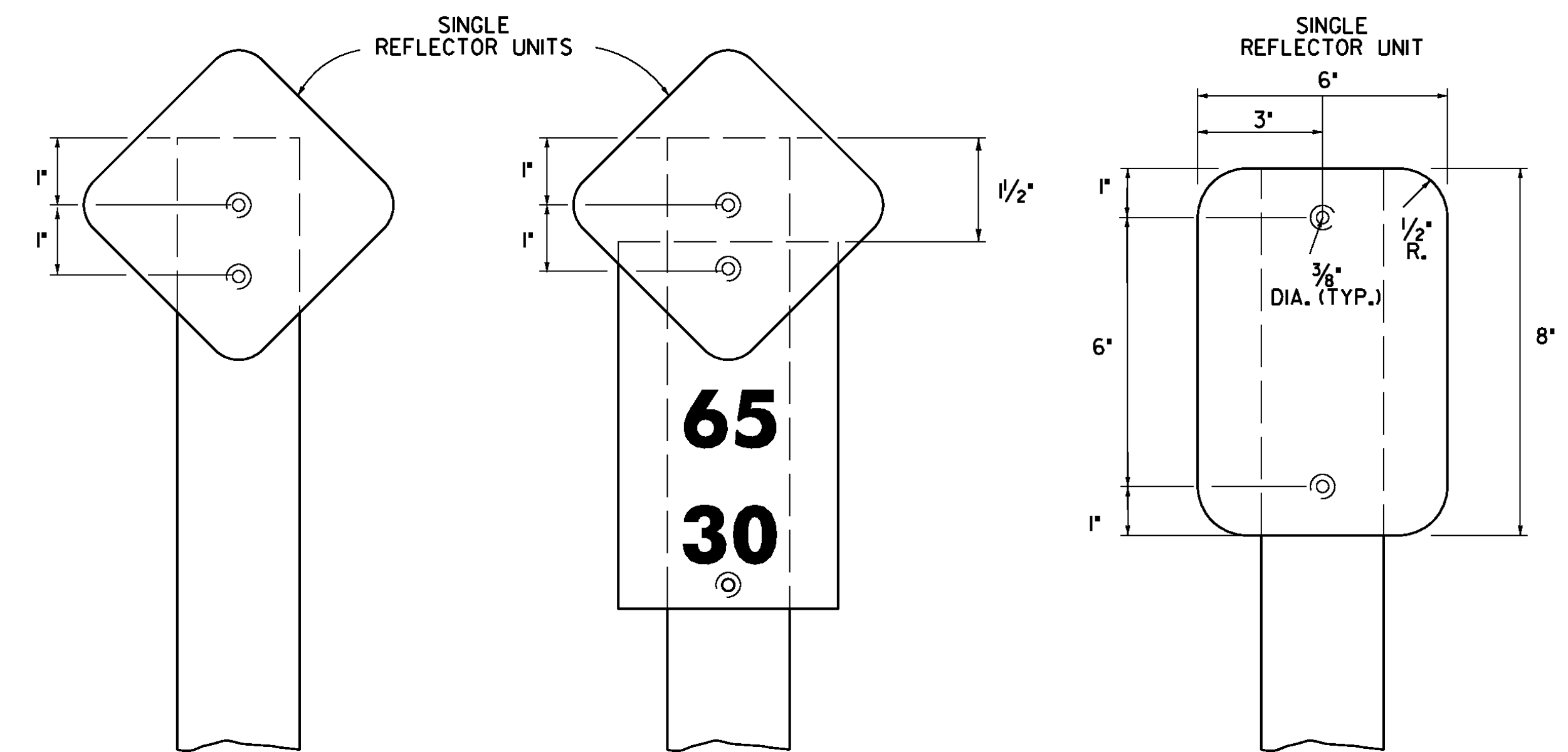
DELINEATOR REFLECTIVE SHEETING UNIT

- MATERIAL FOR DELINEATORS:
- 1/16" ALUMINUM BACKING.
 - WHITE/BLUE/GREEN: ASTM TYPE III RETROREFLECTIVE SHEETING.
 - RED/YELLOW: ASTM TYPE VII, VIII, OR IX RETROREFLECTIVE SHEETING.



MILEPOST PLAQUE

MATERIAL FOR RETROREFLECTIVE SHEETING FOR DELINEATORS SHALL BE A 0.063" ALUMINUM BACKING WITH ASTM TYPE III RETROREFLECTIVE SHEETING GREEN LEGEND ON A WHITE BACKGROUND.



TYPE I WITHOUT PLAQUE

TO BE USED ALONG RAMP

TYPE I WITH PLAQUE

TO BE USED ALONG MAINLINE

TYPE II

TO BE USED ALONG MAINLINE

DELINEATORS WITH RETROREFLECTIVE SHEETING

DELINEATOR AND MILEPOST DETAILS

PROJECT NAME: ROYALTON-MIDDLESEX

PROJECT NUMBER: IMG SIGN(19)

FILE NAME: z09a020miscdet.dgn

PROJECT LEADER: CRB

DESIGNED BY: BDB

CLD REF. NO.: 09-0106

PLOT DATE: 8/12/2009

DRAWN BY: JBZ

CHECKED BY: DAM

SHEET 4 OF 163