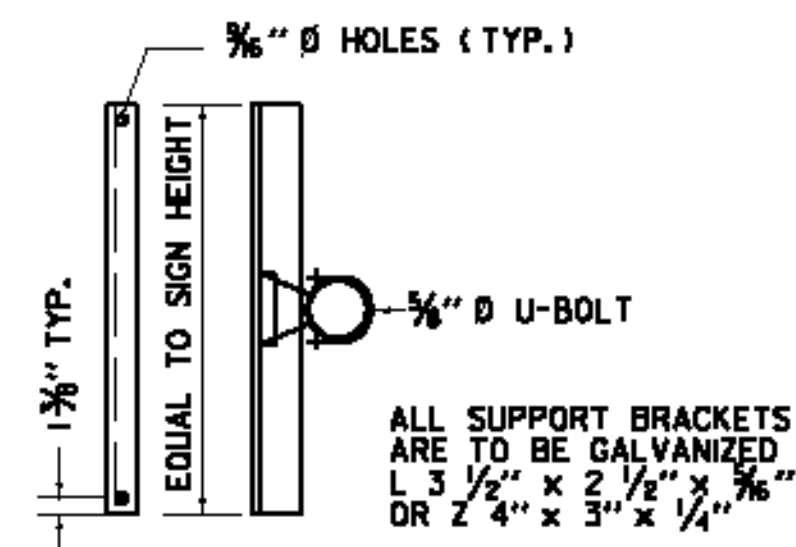


DETAIL A

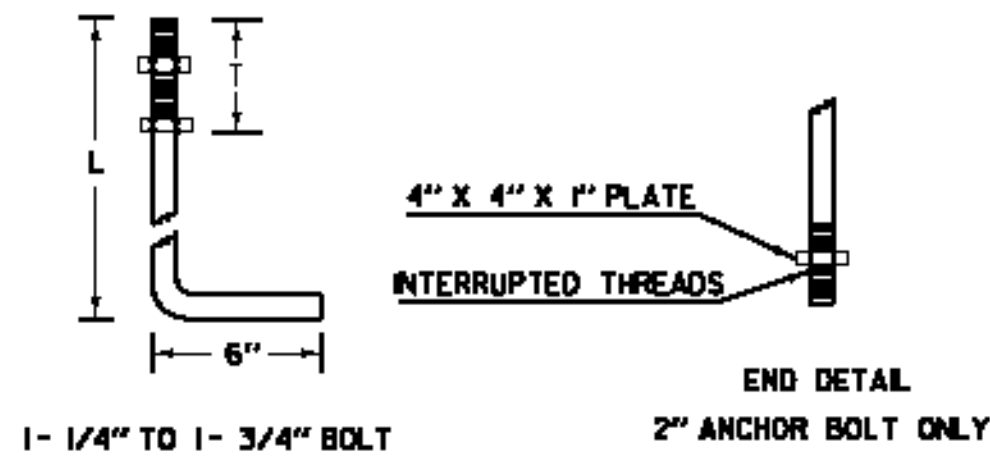


SIGN ON SINGLE MAST ARM

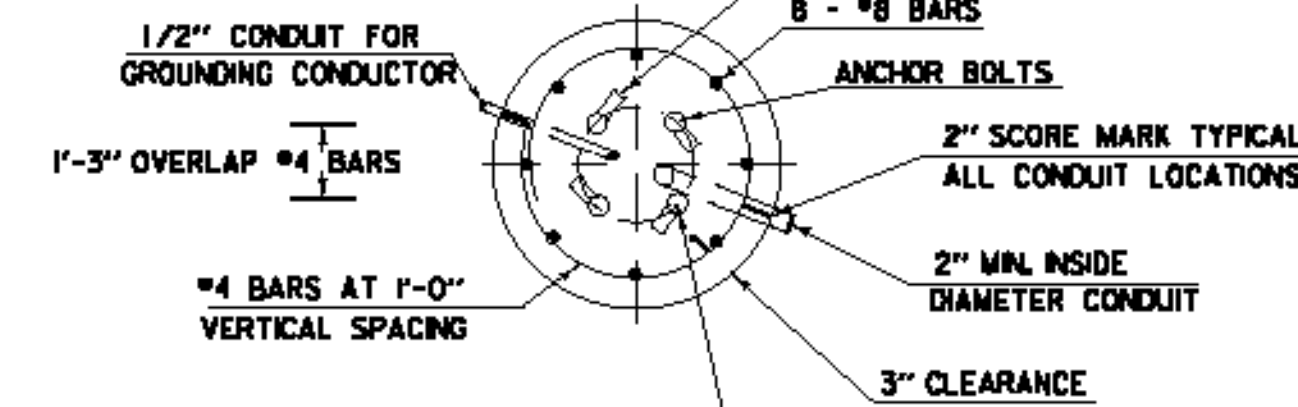
SIGN BRACKET DETAILS

ANCHOR BOLT DETAIL

SIZE	L(IN)	T(IN)
1- 1/4" X 48"	42	8
1- 1/2" X 60"	54	9
1- 3/4" X 90"	84	9
2" X 96"	96	9



ANCHOR BOLT DETAIL



POSITION ANCHOR BOLTS TO ALLOW MINIMUM CLEARANCE OF 1-1/2" TO NEAREST REINFORCING STEEL.

SECTION

OVERHEAD TRAFFIC SIGN BRIDGE FOOTING DETAIL

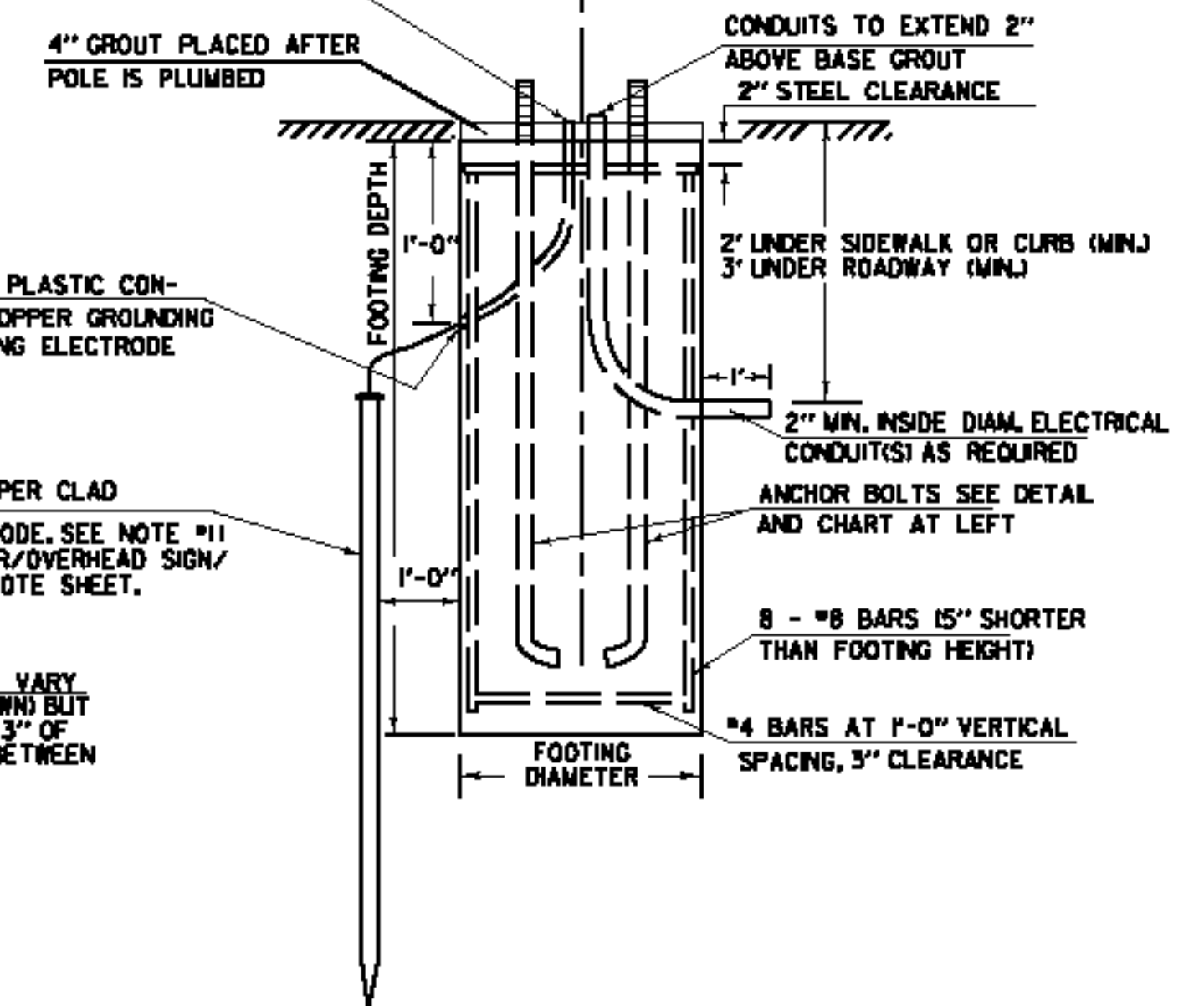
(SPREAD FOOTINGS OR PILES ARE OPTIONAL)

#6 SOFT DRAWN COPPER GROUNDING CONDUCTOR CONNECT TO GROUNDING LUG IN POLE

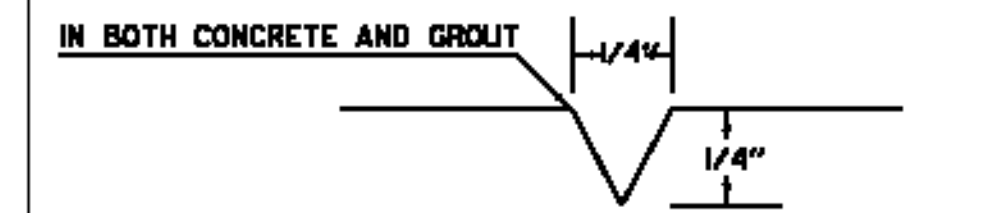
WEEP HOLE. INSTALL 1/2" FLEXIBLE PLASTIC CONDUIT FOR #6 AWG SOFT DRAWN COPPER GROUNDING CONDUCTOR. CONNECT TO GROUNDING ELECTRODE USING AN EXOTHERMIC WELD.

5/8" X 8" MIN COPPER CLAD GROUNDING ELECTRODE. SEE NOTE #11 ON THE CANTILEVER/OVERHEAD SIGN/SIGNAL SUPPORT NOTE SHEET.

ANCHOR BOLT ORIENTATION MAY VARY (TOED-IN, TOED-OUT OR AS SHOWN) BUT THERE MUST BE A MINIMUM OF 3" OF COVER AND 3" OF CLEARANCE BETWEEN BOLTS.



ELEVATION



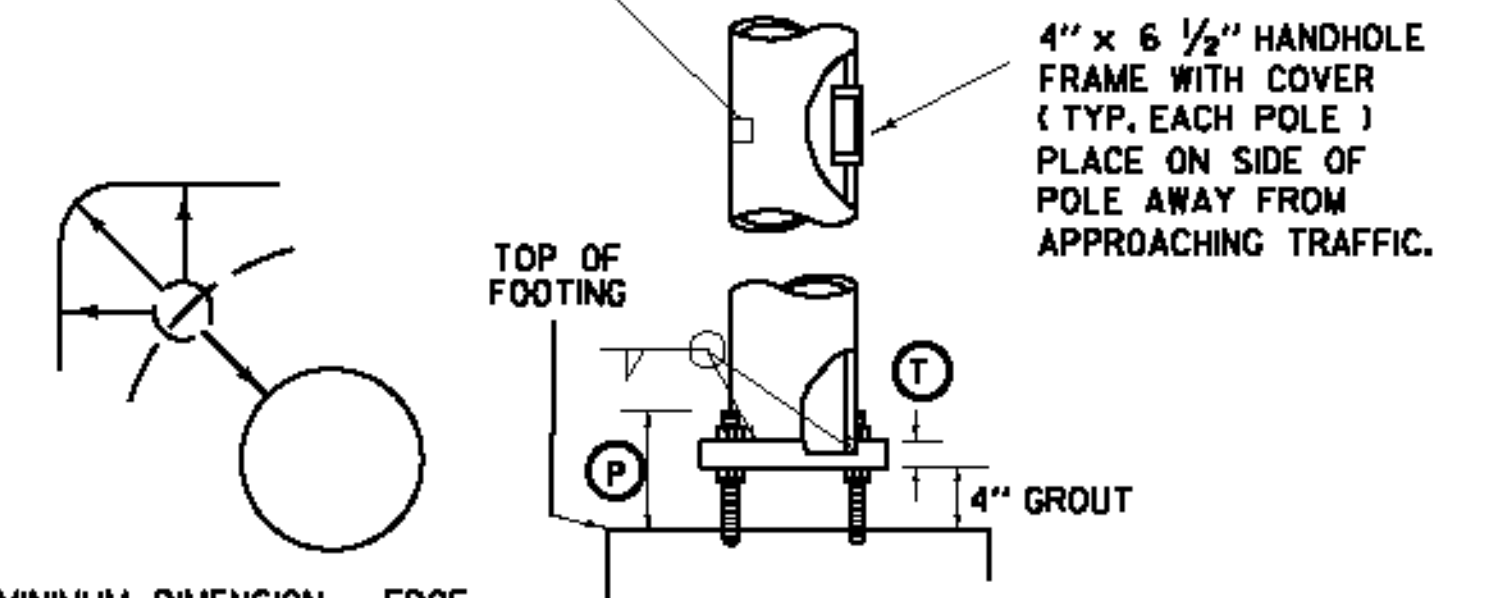
USED FOR CONDUIT LOCATION, SEE SECTION DETAIL AT LEFT

2" SCORE MARK DETAIL

NOTES:

- SEE OVERHEAD SIGN SUPPORT NOTES SHEET FOR ADDITIONAL INFORMATION.
- CONTRACTOR TO SALVAGE AND RELOCATE THIS OVERHEAD STRUCTURE FROM EXIT 12 RAMP C TO THE PROPOSED LOCATION.
- CONTRACTOR TO SUBMIT THE FOUNDATION DESIGN TO THE VTRANS STRUCTURES DIVISION FOR APPROVAL.
- CONTRACTOR TO ENSURE THE RELOCATED STRUCTURE PROVIDES A MINIMUM CLEARANCE FROM SIGNS TO ROADWAY OF 17'.

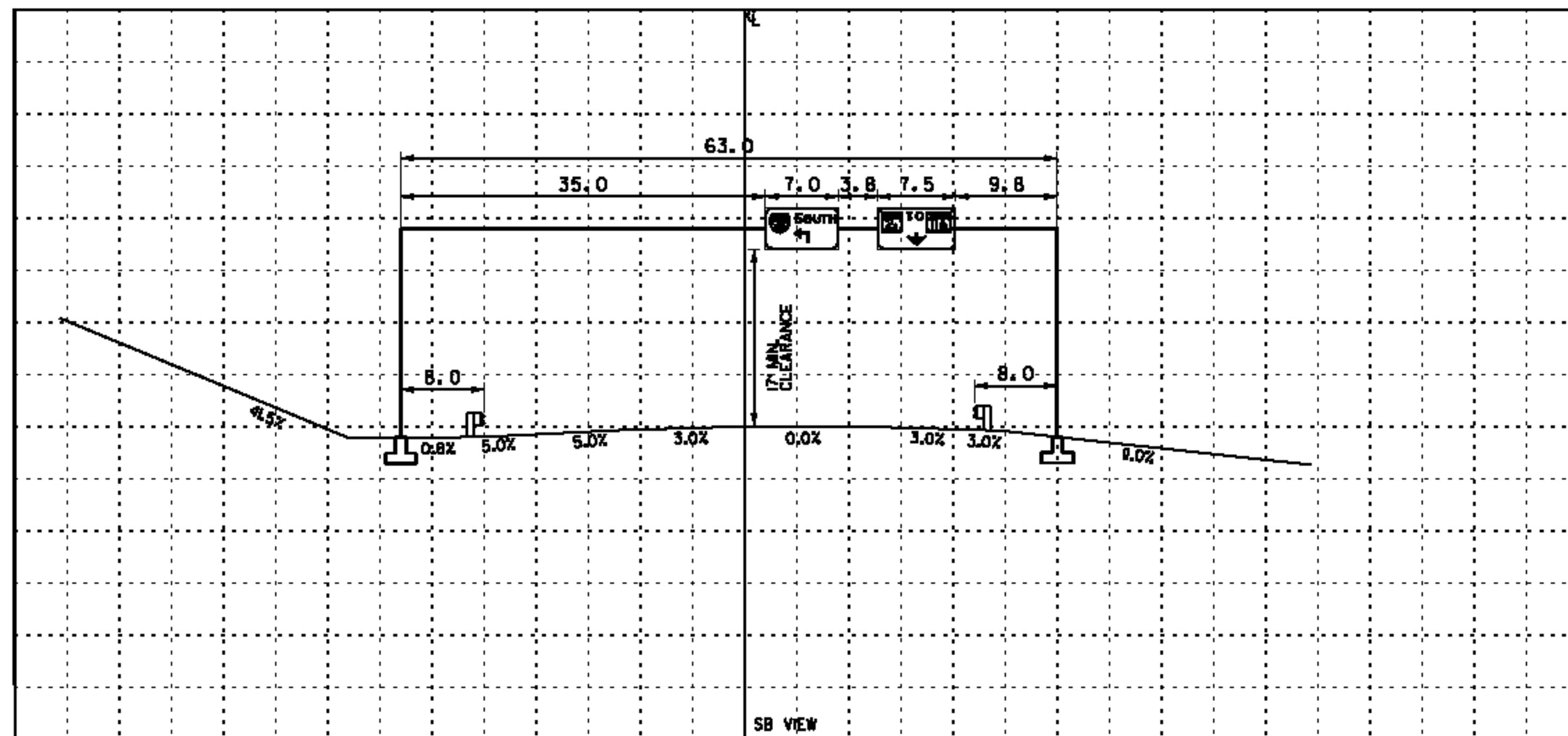
GROUND WIRES SHALL BE CONNECTED TO THE GROUNDING LUG INSIDE THE HANDHOLE ACCESS.



SEE DETAIL AT LEFT

ALIGN POLE BASE 90° TO HORIZONTAL MEMBER(S)

POLE BASE AND BASE PLATE DETAIL



(SEE SHEET 41 FOR LOCATION PLAN)

OVERHEAD SIGN BRIDGE CROSS SECTION

SCALE 1" = 10'

NOTE:
DETAILS
NTS

OVERHEAD TRAFFIC SIGN BRIDGE / FOOTING DETAIL SHEET

LAST REVISED 8/16/95

INTERCHANGE #12
VT 2A
M.M. 2.975

PROJECT NAME: WATERBURY - WINOOSKI

PROJECT NUMBER: IMG SIGN(18)

FILE NAME: z09a018overhead.dgn

PROJECT LEADER: CRB

DESIGNED BY: JBZ

CLD REF. NO.: 09-0124

PLOT DATE: 10/27/2009

DRAWN BY: JBZ

CHECKED BY: BDB

SHEET 168 OF 174