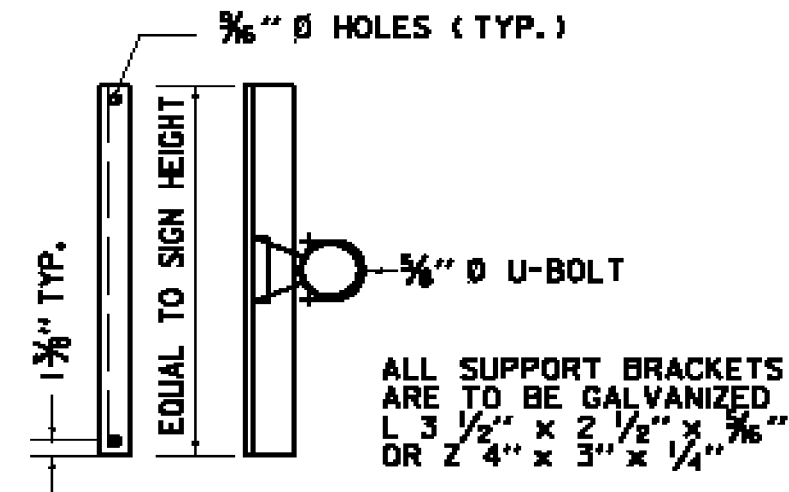


DETAIL A



SIGN BRACKET DETAILS

SIGN ON SINGLE MAST ARM

ANCHOR BOLT DETAIL		
SIZE	L (IN)	T (IN)
1 - 1/4" X 48"	42	8
1 - 1/2" X 60"	54	9
1 - 3/4" X 90"	84	9
2" X 96"	96	9

4" X 4" X 1" PLATE

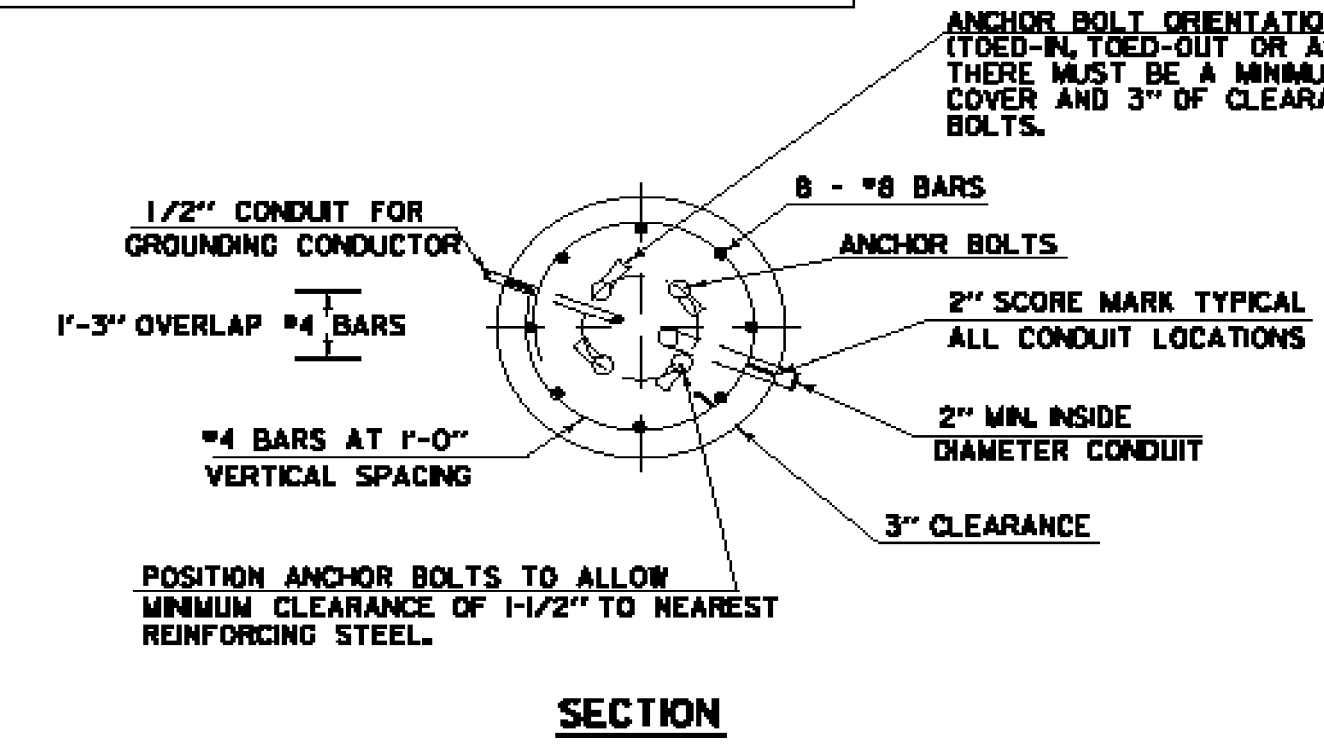
INTERRUPTED THREADS

1- 1/4" TO 1- 3/4" BOLT

END DETAIL

2" ANCHOR BOLT ONLY

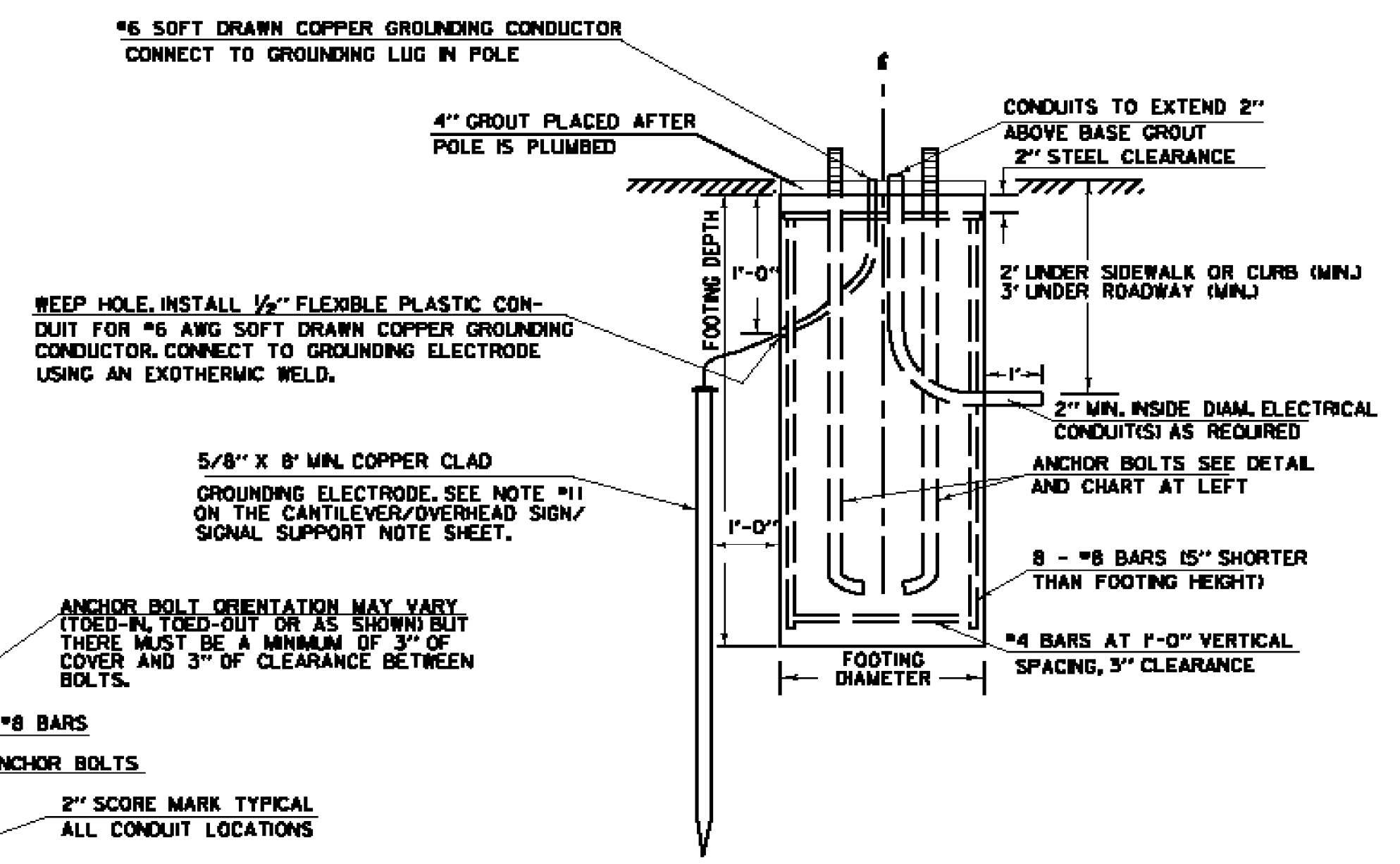
ANCHOR BOLT DETAIL



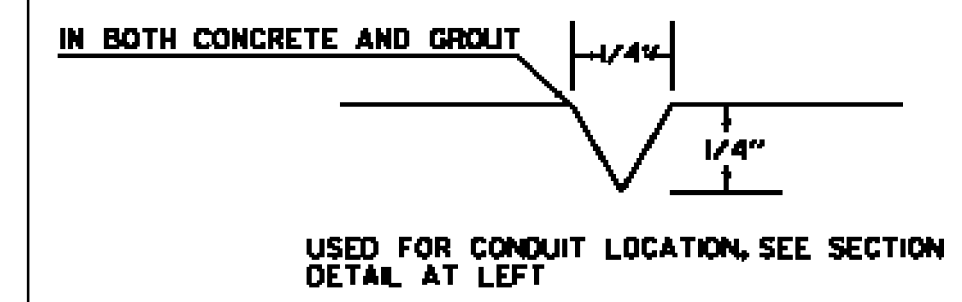
SECTION

OVERHEAD TRAFFIC SIGN BRIDGE FOOTING DETAIL

(SPREAD FOOTINGS OR PILES ARE OPTIONAL)



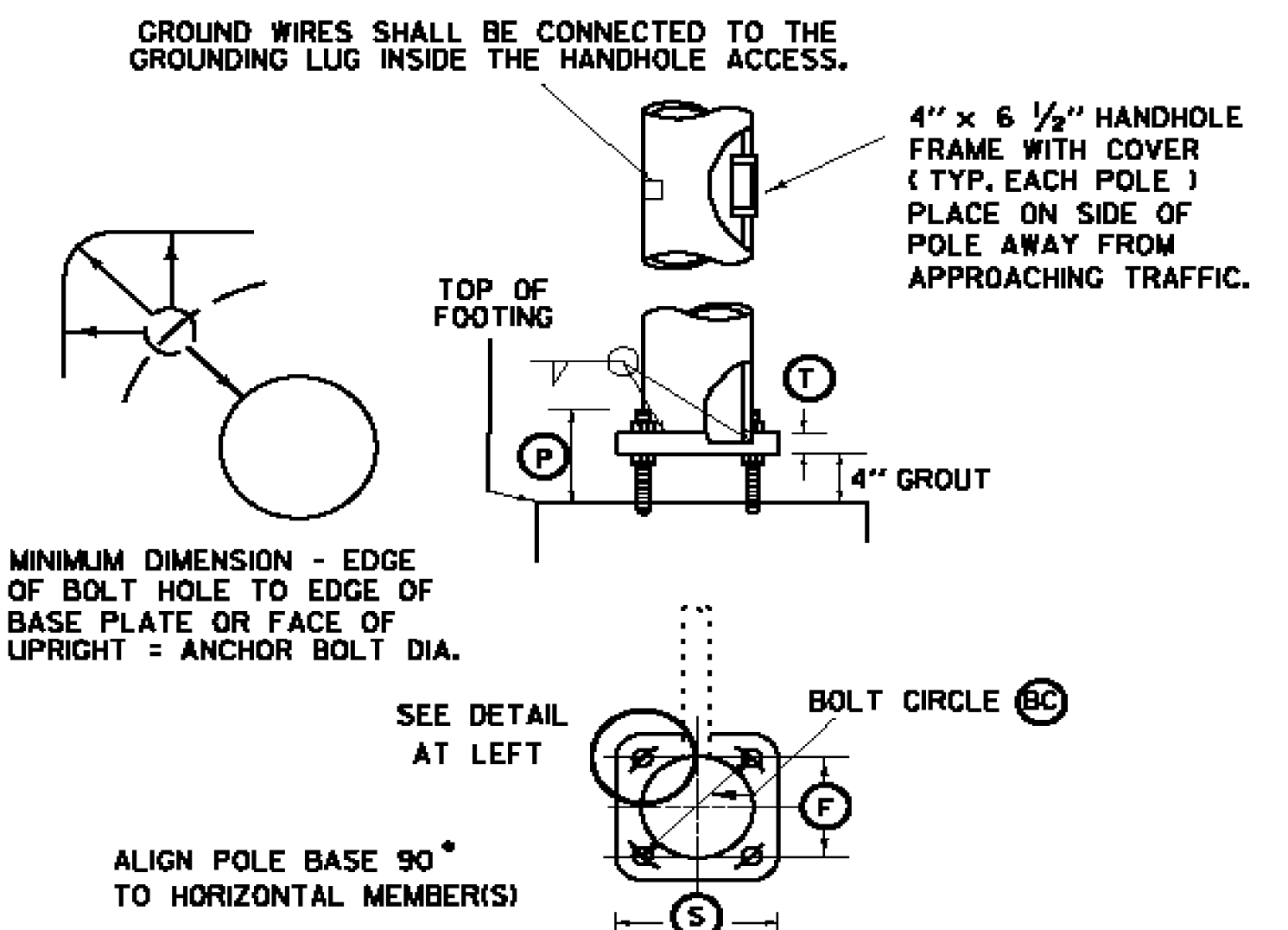
ELEVATION



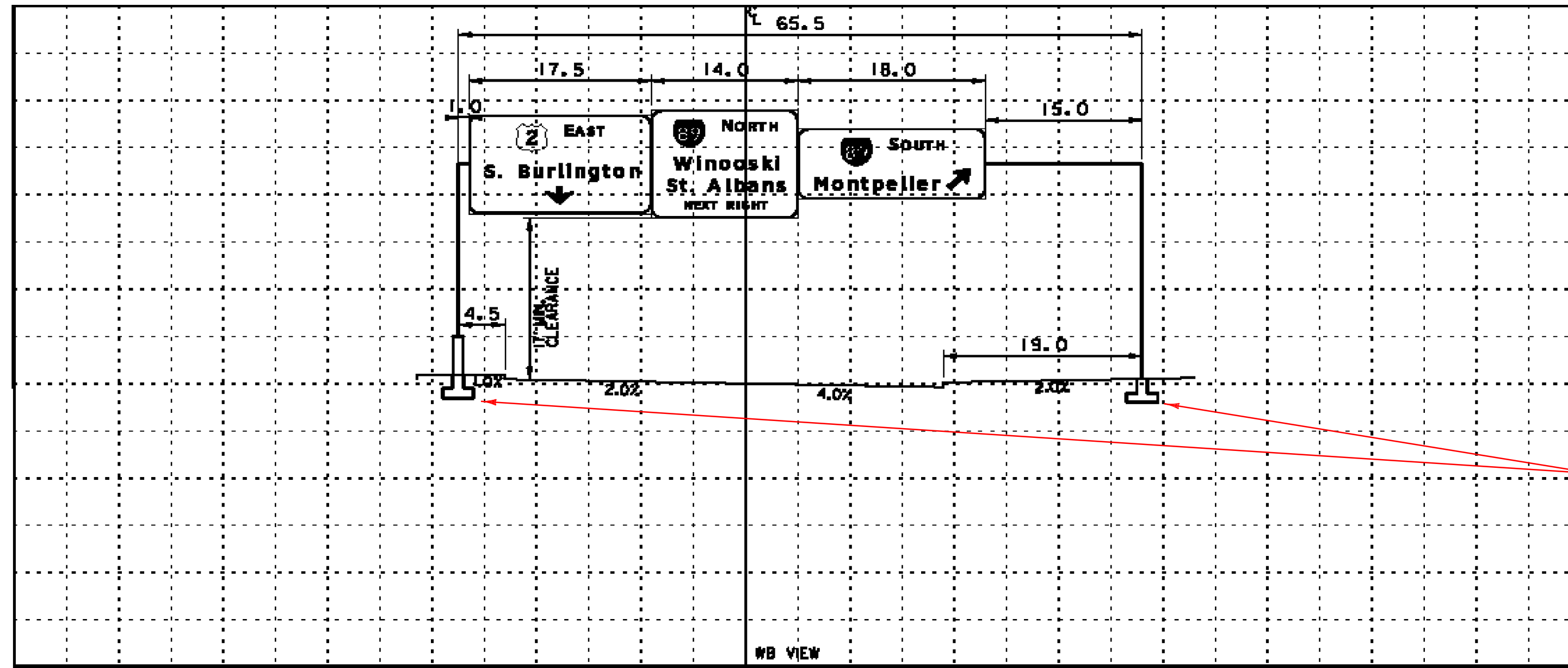
2" SCORE MARK DETAIL

NOTES:

1. SEE OVERHEAD SIGN SUPPORT NOTES SHEET FOR ADDITIONAL INFORMATION.
2. MANUFACTURER TO DETERMINE TYPE OF STRUCTURE REQUIRED.
3. MONOTUBES SHALL NOT BE USED FOR SIGNS OVER 10' IN HEIGHT.
4. MINIMUM CLEARANCE FROM SIGNS TO ROADWAY IS 17'.



POLE BASE AND BASE PLATE DETAIL



OVERHEAD SIGN BRIDGE CROSS SECTION

SCALE 1" = 10'

USED EXISTING FOOTINGS

NOTE: DETAILS NTS

OVERHEAD TRAFFIC SIGN BRIDGE / FOOTING DETAIL SHEET

INTERCHANGE #14
M.M. 0.010 RAMP A

PROJECT NAME:	WATERBURY - WINOOSKI	PLOT DATE:	10/27/2009
PROJECT NUMBER:	IMG SIGN(18)	DRAWN BY:	JBZ
FILE NAME:	z09a018overhead.dgn	CHECKED BY:	BBB
PROJECT LEADER:	CRB	CLD REF. NO.:	09-0124
DESIGNED BY:	JBZ		
			SHEET 166 OF 174

MODEL:det-01g

LAST REVISED 8/15/95