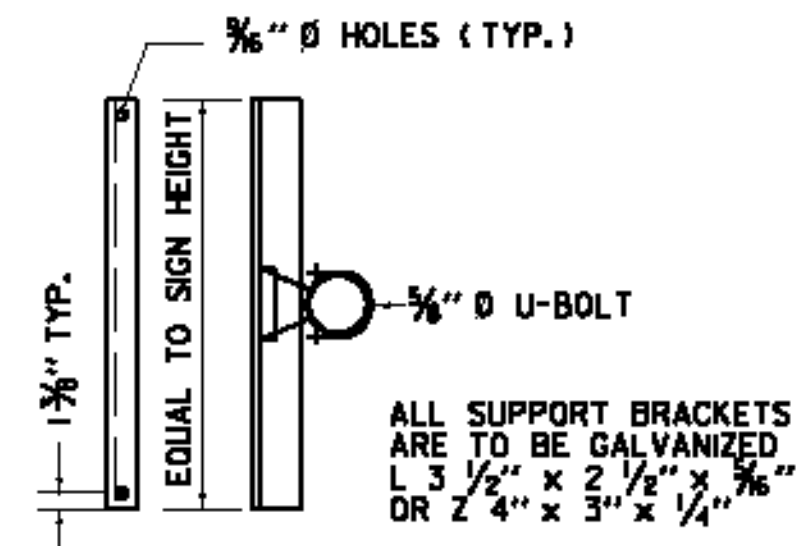


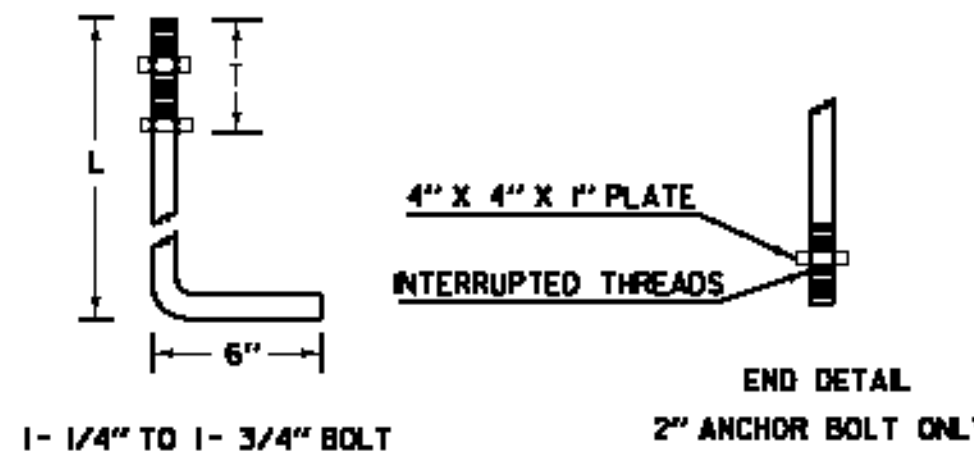
DETAIL A



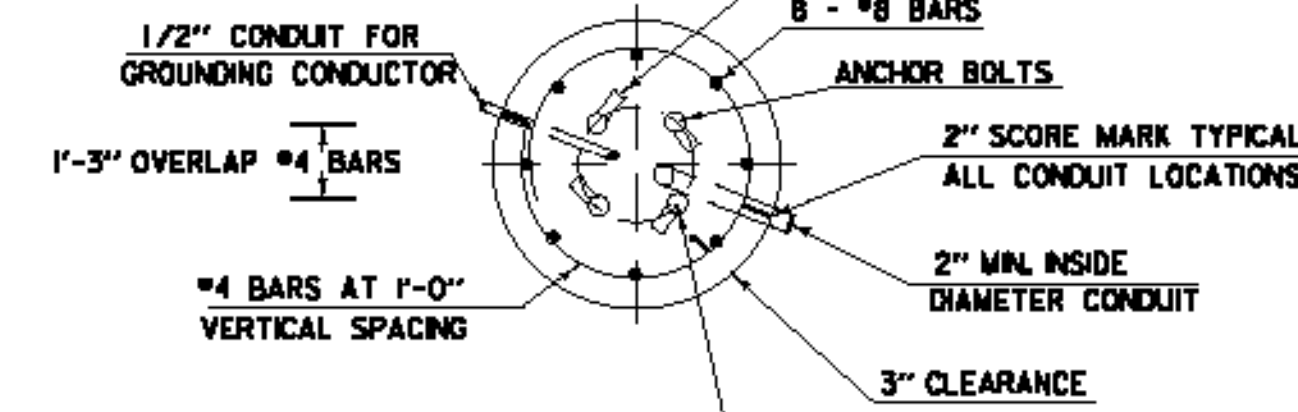
SIGN ON SINGLE MAST ARM

SIGN BRACKET DETAILS

ANCHOR BOLT DETAIL		
SIZE	L(IN)	T(IN)
1- 1/4" X 48"	42	8
1- 1/2" X 60"	54	9
1- 3/4" X 90"	84	9
2" X 96"	96	9



ANCHOR BOLT DETAIL



POSITION ANCHOR BOLTS TO ALLOW MINIMUM CLEARANCE OF 1-1/2" TO NEAREST REINFORCING STEEL.

SECTION

OVERHEAD TRAFFIC SIGN BRIDGE FOOTING DETAIL

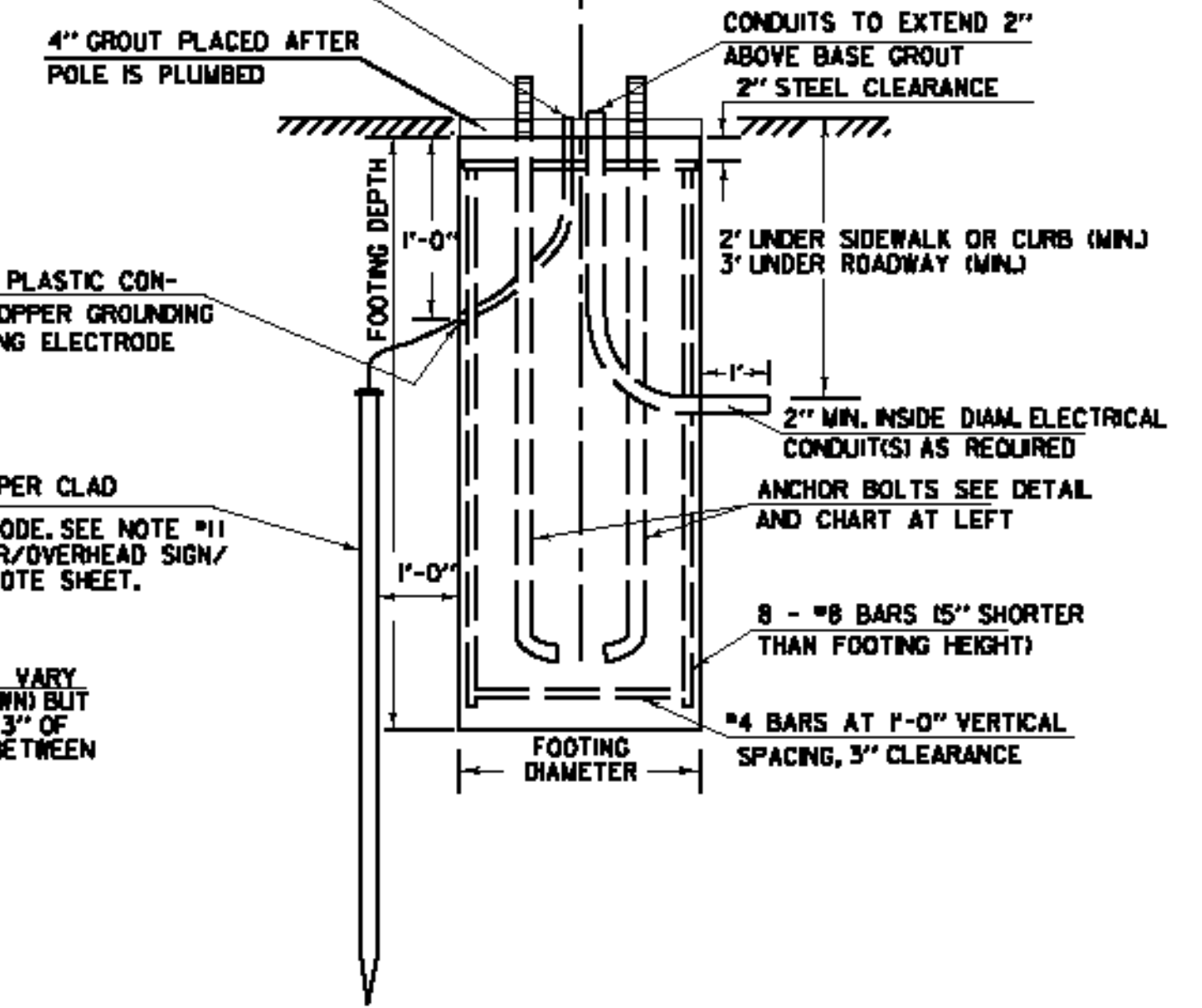
(SPREAD FOOTINGS OR PILES ARE OPTIONAL)

#6 SOFT DRAWN COPPER GROUNDING CONDUCTOR CONNECT TO GROUNDING LUG IN POLE

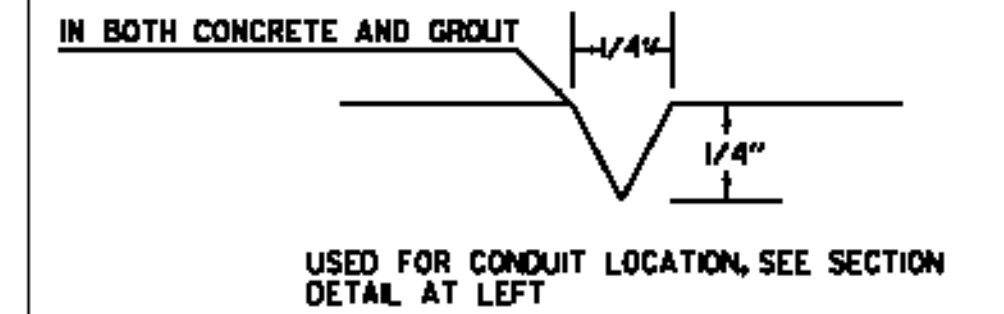
WEEP HOLE. INSTALL 1/2" FLEXIBLE PLASTIC CONDUIT FOR #6 AWG SOFT DRAWN COPPER GROUNDING CONDUCTOR. CONNECT TO GROUNDING ELECTRODE USING AN EXOTHERMIC WELD.

5/8" X 8" MIN. COPPER CLAD GROUNDING ELECTRODE. SEE NOTE #11 ON THE CANTILEVER/OVERHEAD SIGN/SIGNAL SUPPORT NOTE SHEET.

ANCHOR BOLT ORIENTATION MAY VARY (TOED-IN, TOED-OUT OR AS SHOWN) BUT THERE MUST BE A MINIMUM OF 3" OF COVER AND 3" OF CLEARANCE BETWEEN BOLTS.



ELEVATION

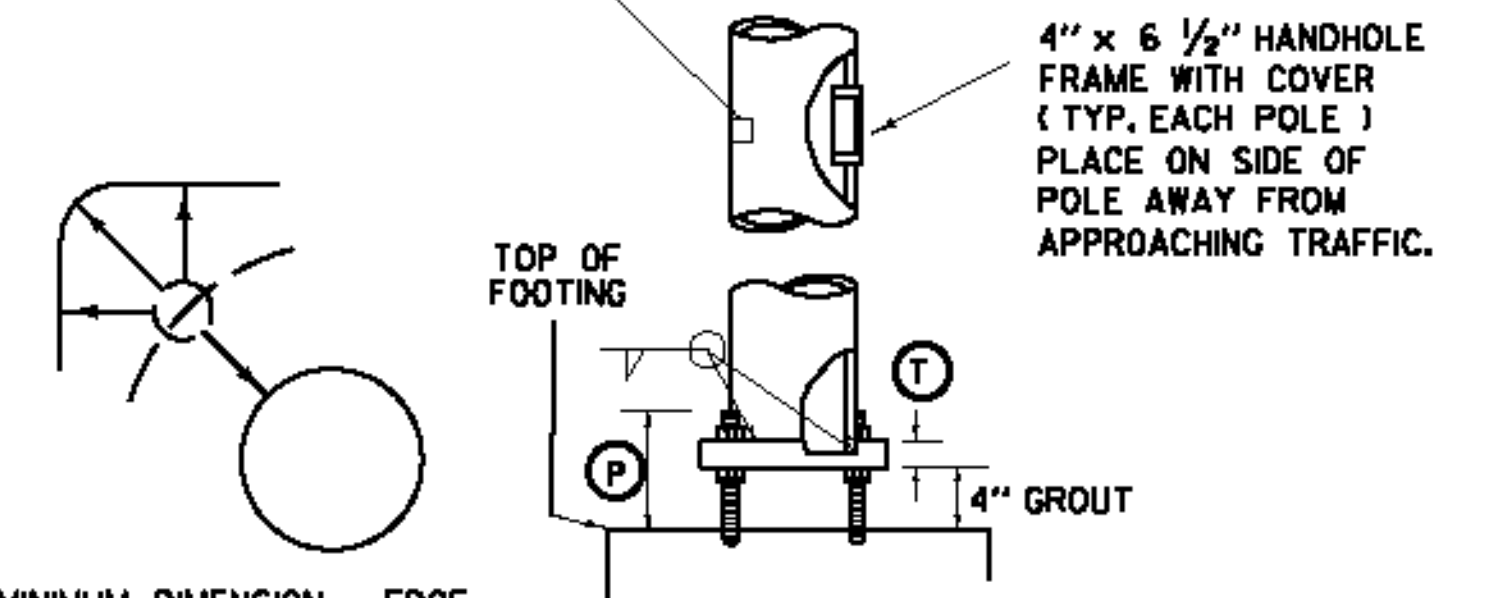


2" SCORE MARK DETAIL

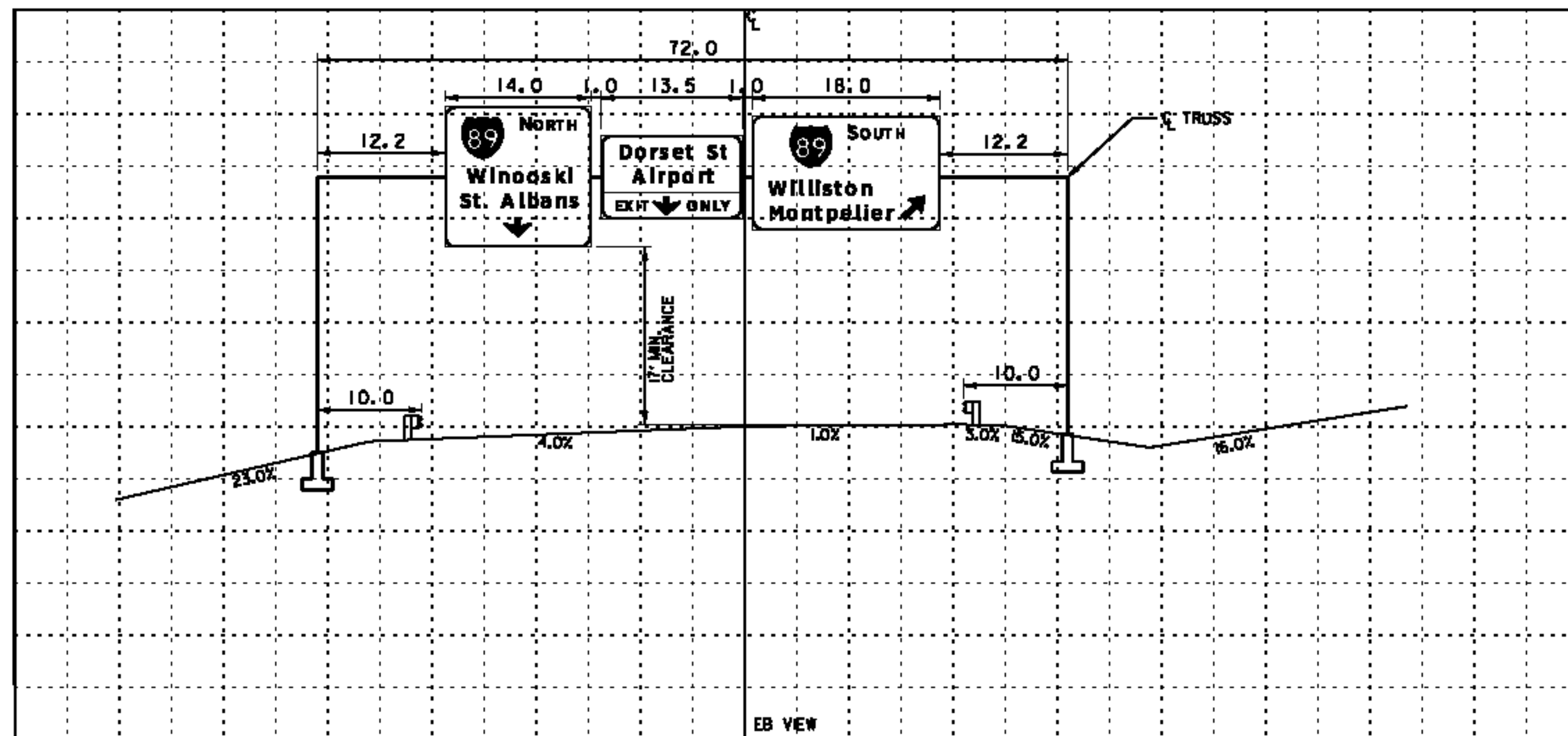
NOTES:

1. SEE OVERHEAD SIGN SUPPORT NOTES SHEET FOR ADDITIONAL INFORMATION.
2. MANUFACTURER TO DETERMINE TYPE OF STRUCTURE REQUIRED.
3. MONOTUBES SHALL NOT BE USED FOR SIGNS OVER 10' IN HEIGHT.
4. MINIMUM CLEARANCE FROM SIGNS TO ROADWAY IS 17'.

GROUND WIRES SHALL BE CONNECTED TO THE GROUNDING LUG INSIDE THE HANDHOLE ACCESS.



POLE BASE AND BASE PLATE DETAIL



(SEE SHEET 42 FOR LOCATION PLAN)

OVERHEAD SIGN BRIDGE CROSS SECTION

SCALE 1"=10'

NOTE: DETAILS NTS

OVERHEAD TRAFFIC SIGN BRIDGE / FOOTING DETAIL SHEET

LAST REVISED 8/16/95

L-189  
M.M. 1.288 EB

PROJECT NAME: WATERBURY - WINOOSKI

PROJECT NUMBER: IMG SIGN(18)

FILE NAME: z09a018overhead.dgn

PROJECT LEADER: CRB

DESIGNED BY: JBZ

CLD REF. NO.: 09-0124

PLOT DATE: 10/27/2009

DRAWN BY: JBZ

CHECKED BY: BDB

SHEET 164 OF 174