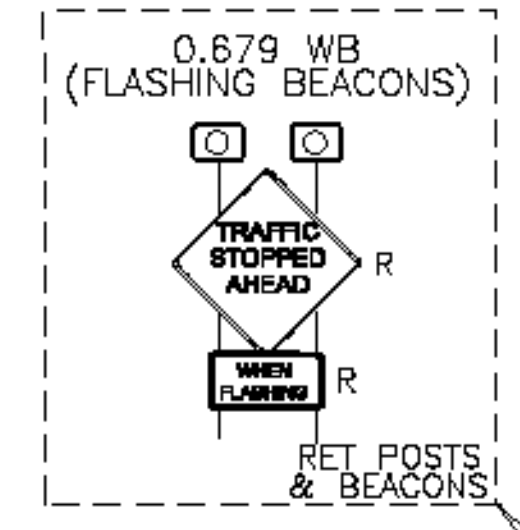
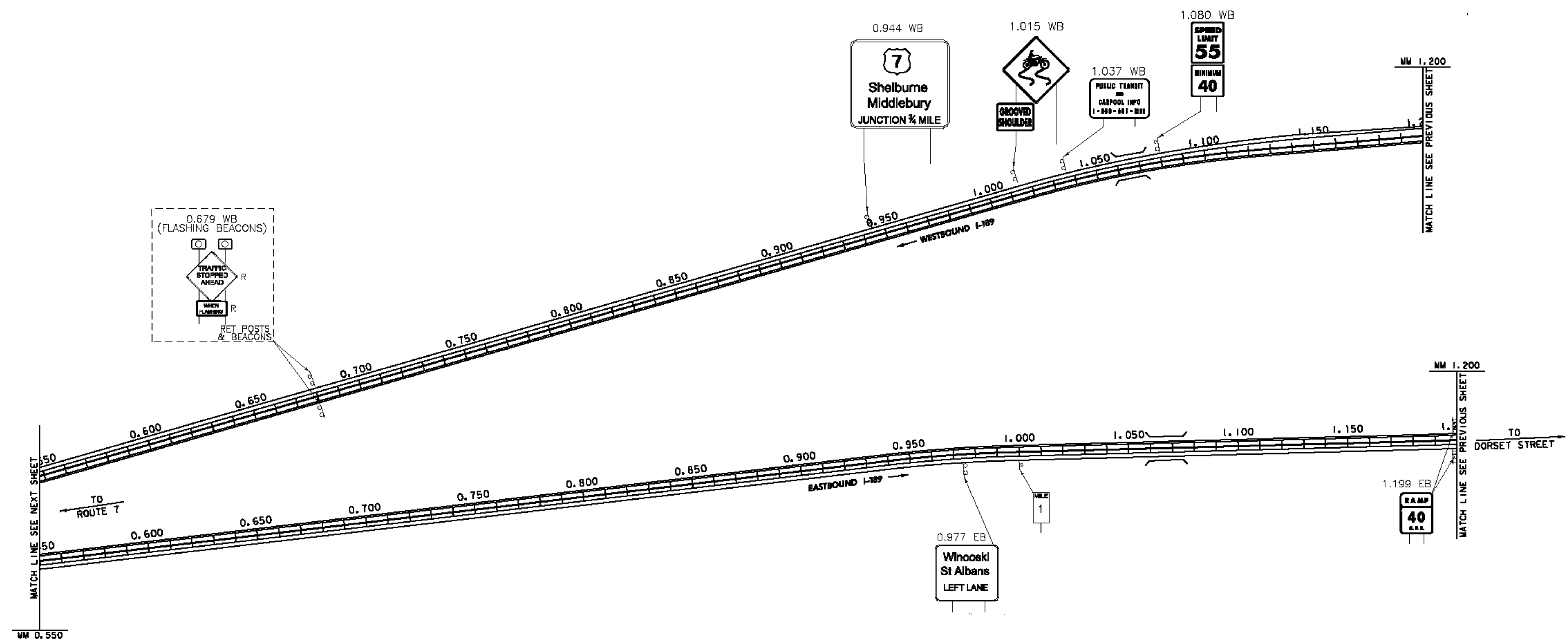


REMOVING SIGNS
 TYPE A: 11
 TYPE B: 3
 BRIDGE PLAQUE: 0



LEGEND
 [RET] - RETAIN
 [R&S] - REMOVE AND SALVAGE

ALL SIGNS AND POSTS WILL BE REMOVED UNLESS OTHERWISE NOTED

| | |
|--|------------------------------------|
| INTERSTATE 189 EXISTING SIGNS | PROJECT NAME: WATERBURY - WINOOSKI |
| | PROJECT NUMBER: IMG SIGN(18) |
| | FILE NAME: z09a018Int13.dgn |
| | PROJECT LEADER: CRB |
| DESIGNED BY: BDB | CLD REF. NO.: 09-0124 |
| PLOT DATE: 10/27/2009 | DRAWN BY: JBZ |
| CHECKED BY: DAM | SHEET 23 OF 174 |

MODEL: EX18T-2