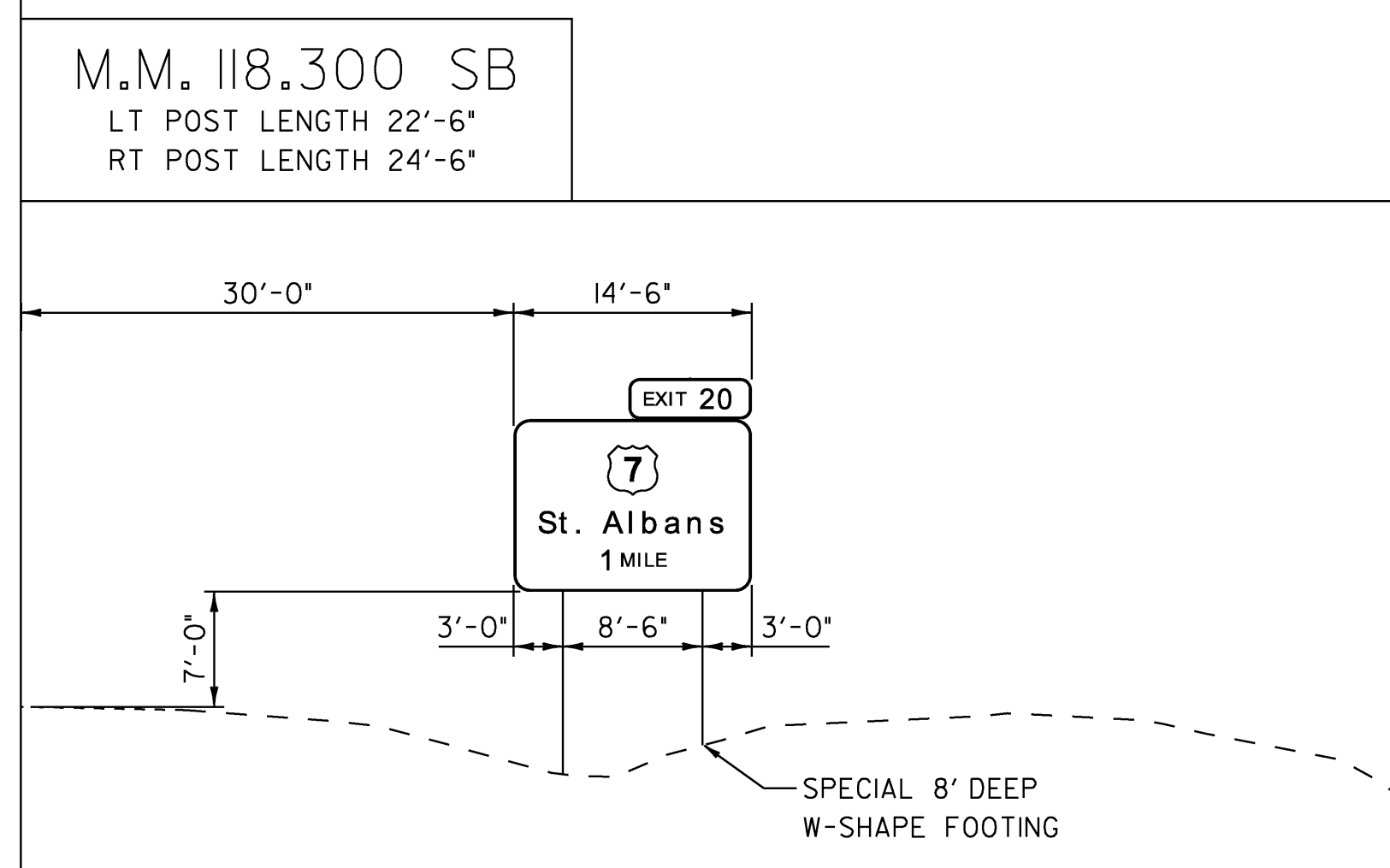
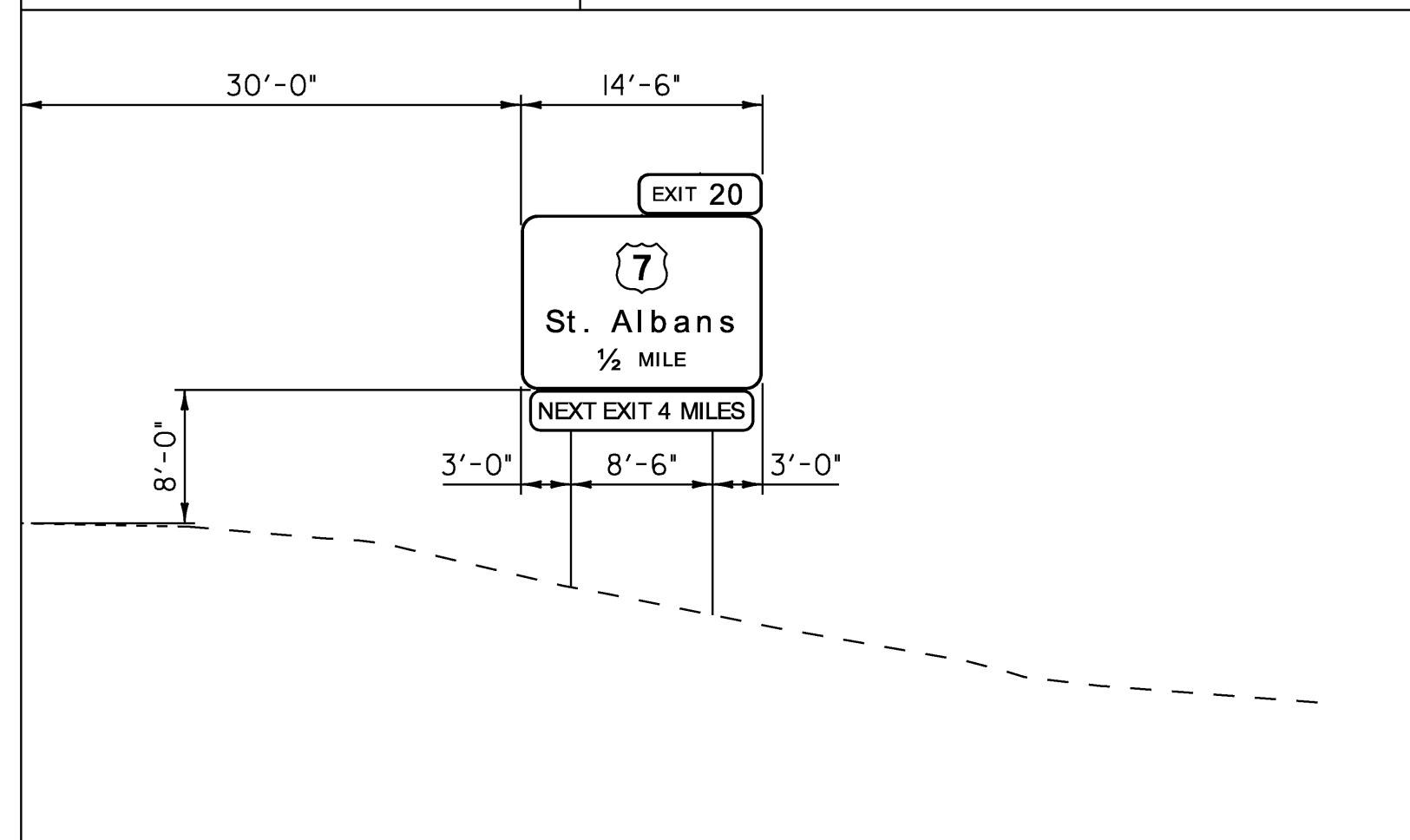
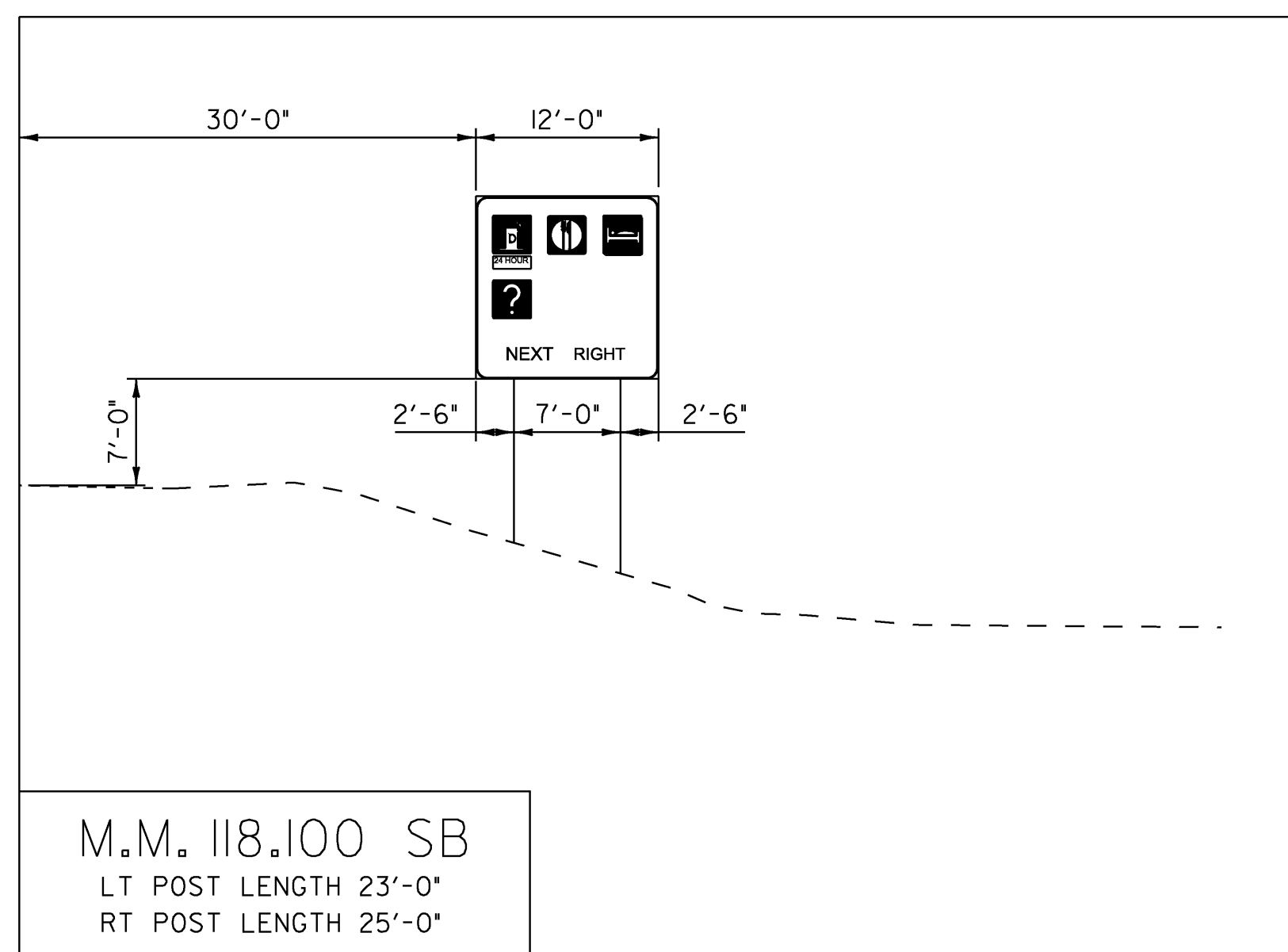
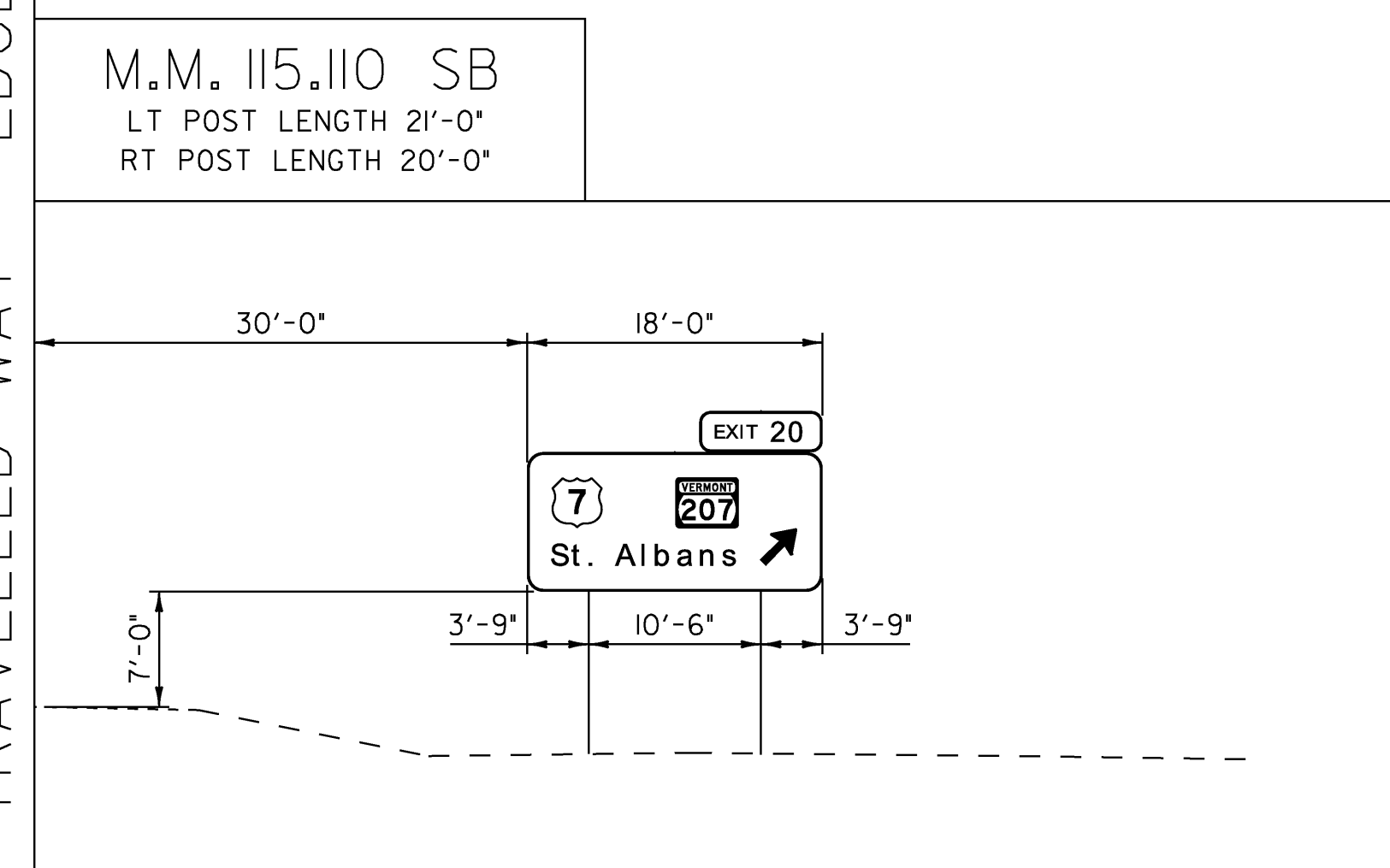
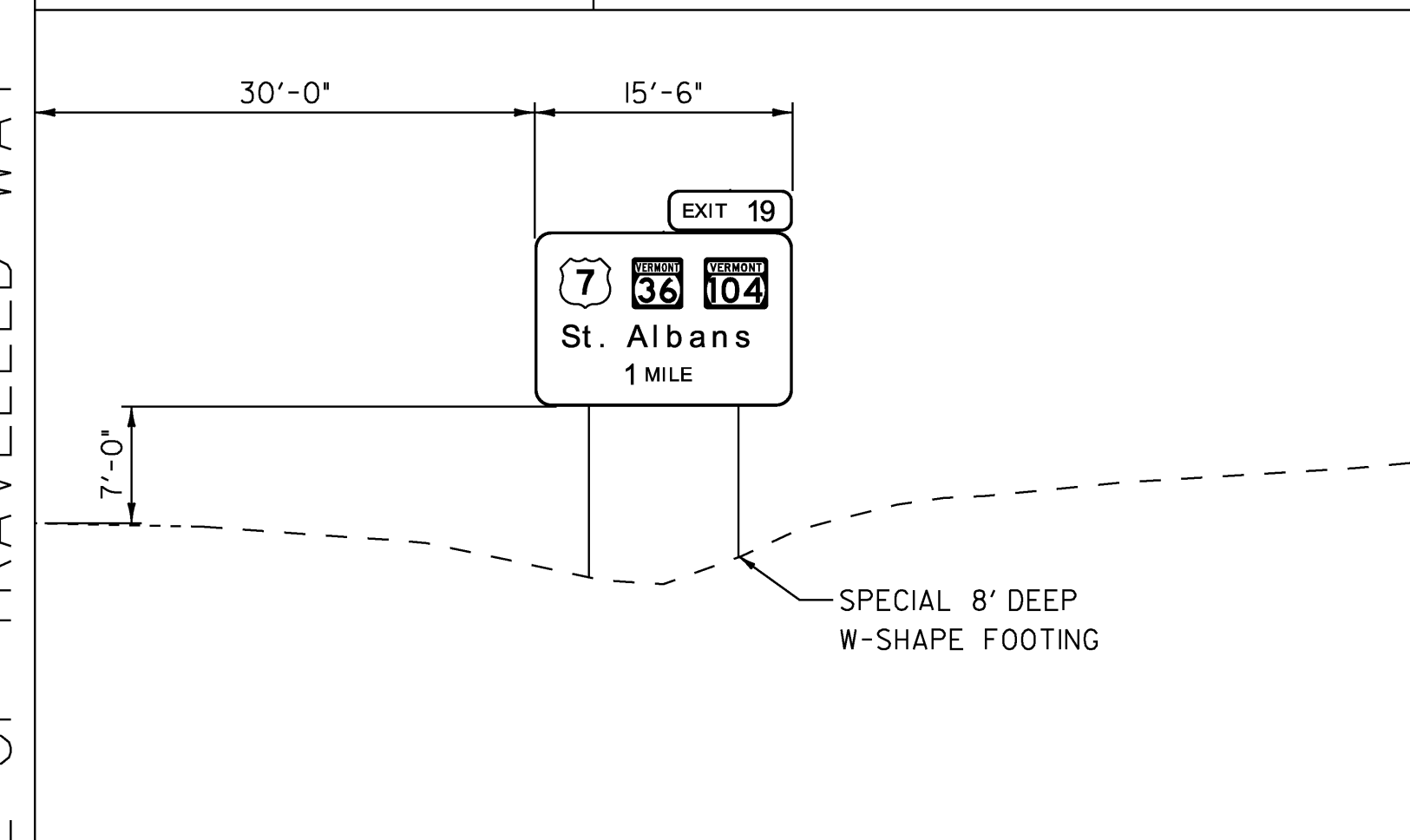
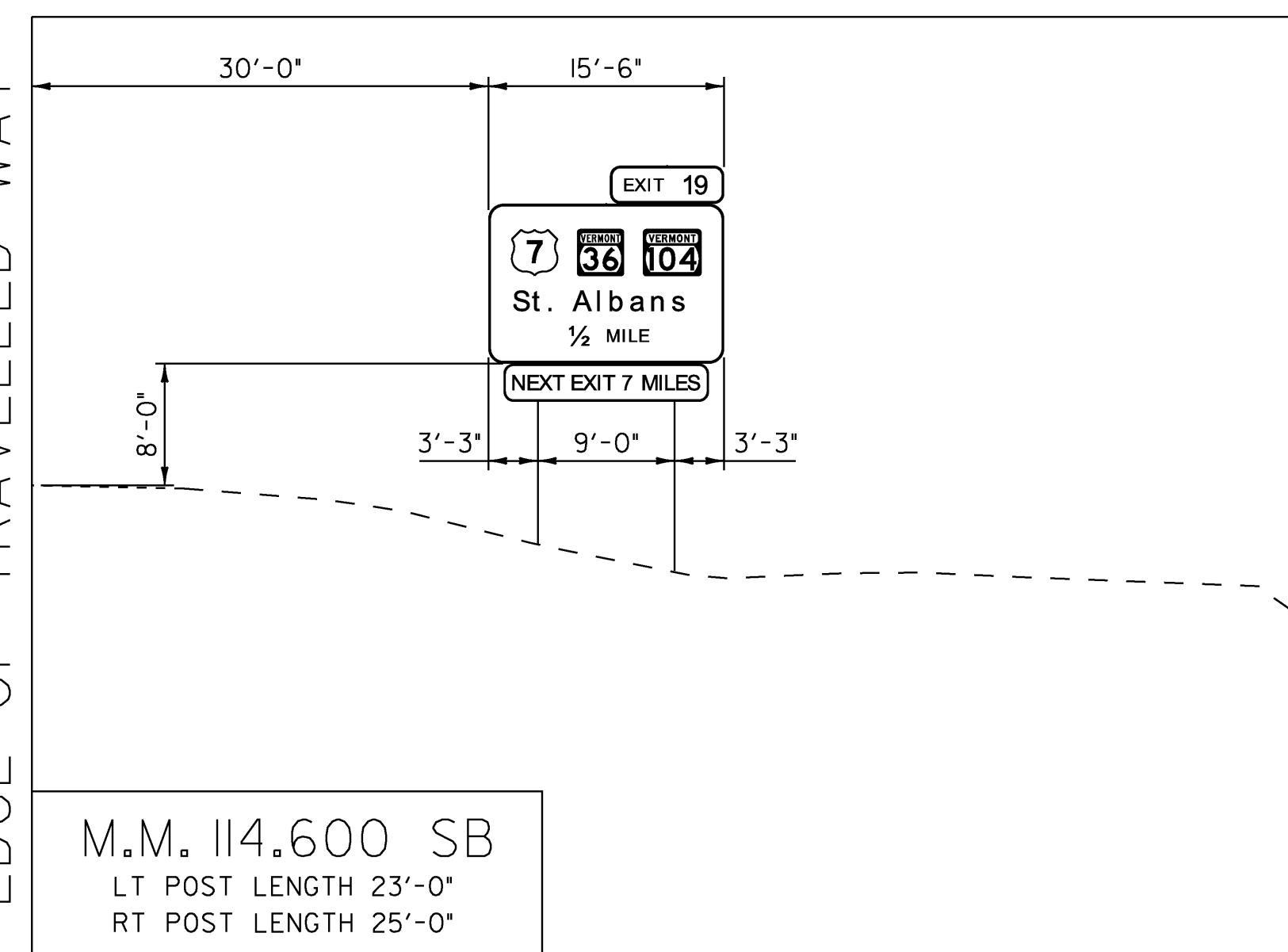


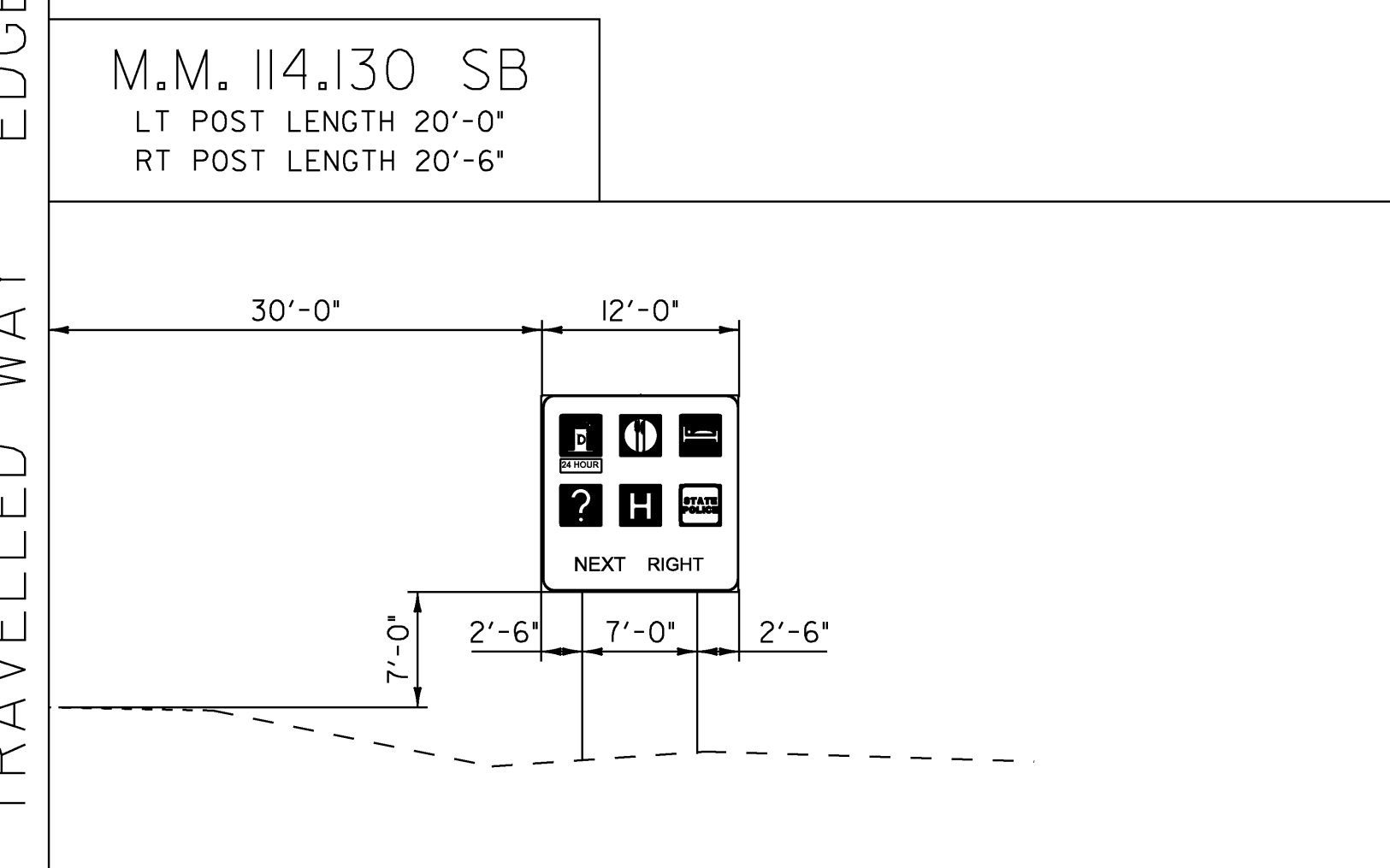
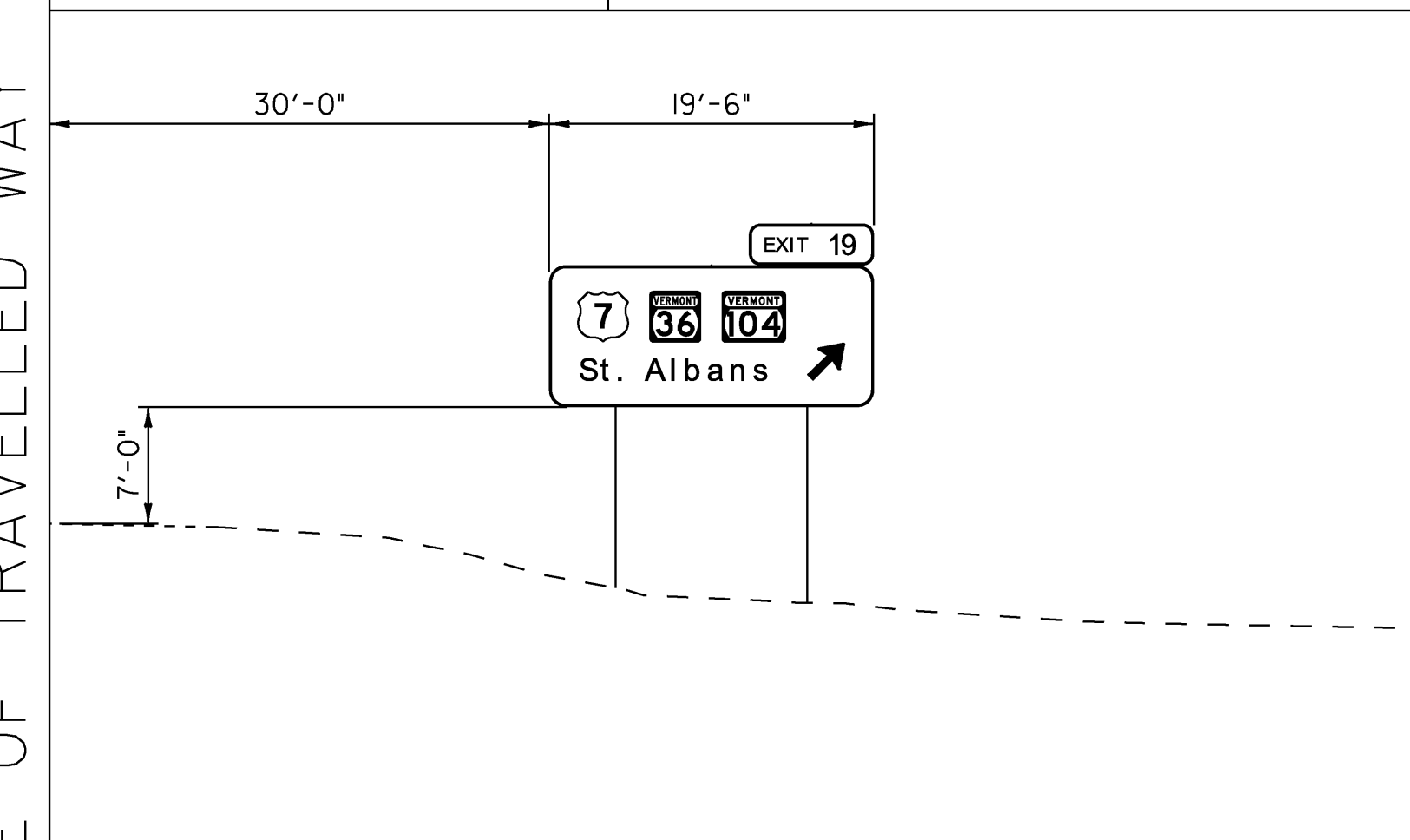
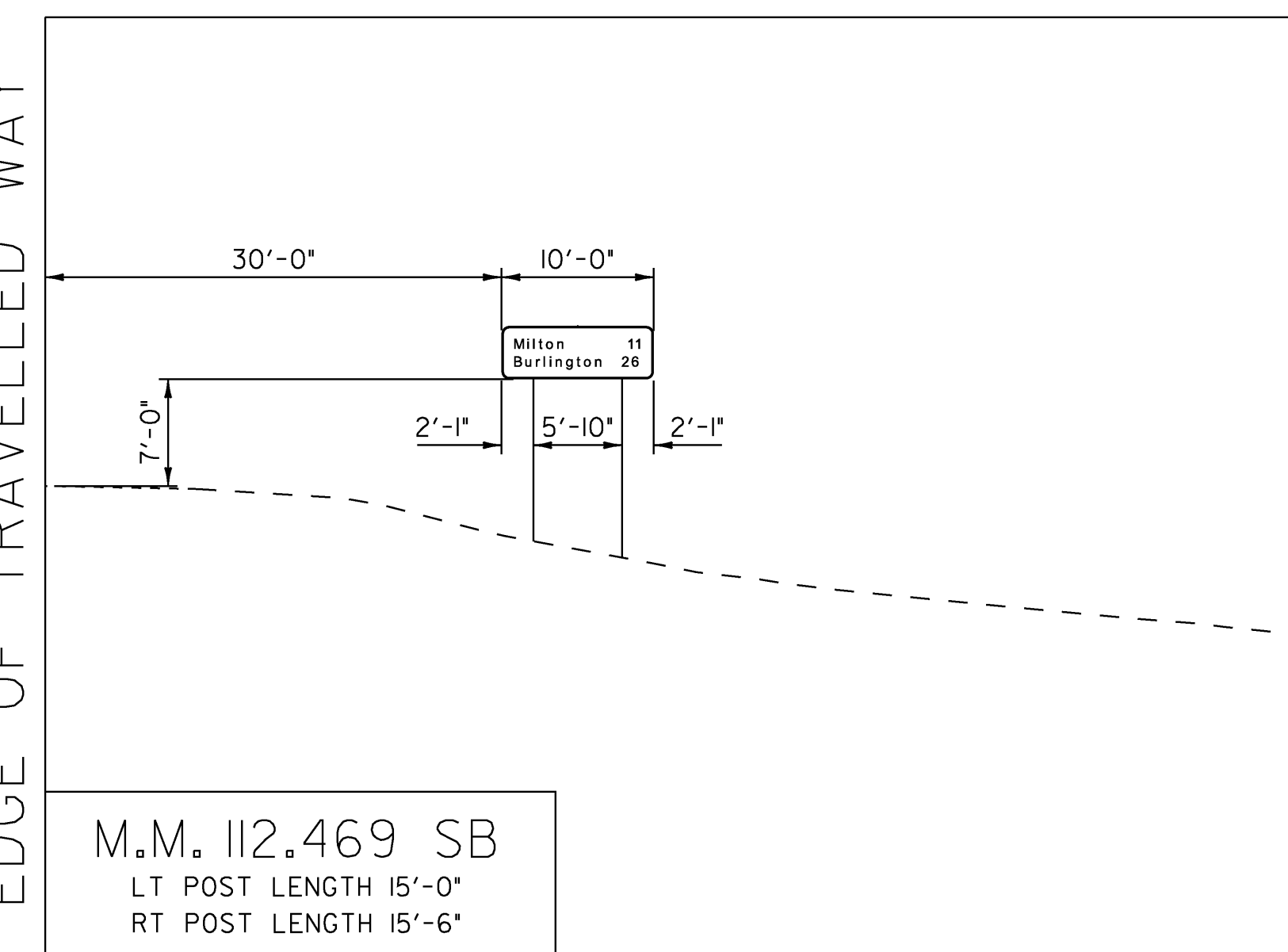
EDGE OF TRAVELLED WAY



EDGE OF TRAVELLED WAY



EDGE OF TRAVELLED WAY



SCALE 1" = 10'-0"
10 0 10

- NOTES:**
1. TYPICAL FOOTING BASE DEPTH IS PER STANDARD E-161, UNLESS SPECIFIED WITH THE NOTE: "SPECIAL 8' DEEP W-SHAPE FOOTING".
 2. THE SPECIAL W-SHAPE FOOTING DETAIL IS LOCATED ON THE INDEX OF SHEETS & GENERAL NOTES, SHEET 2.

**SOUTHBOUND
CROSS SECTIONS
2**

PROJECT NAME: COLCHESTER-HIGHGATE
PROJECT NUMBER: IMG SIGN (17)
FILE NAME: 09A016.DGN
PROJECT LEADER: EPD
DESIGNED BY: JDG
PLOT FILE: 09A016CS7.1
PLOT DATE: 8/21/2009
DRAWN BY: JDG
CHECKED BY: EPD
SHEET 56 OF 221