

33.00"
GAS / DIESEL

13.20"
FOOD

17.00"
PHONE

10.00"
GAS

24"
GAS 24 HRS

17.80"
DIESEL

34.80"
INFORMATION

38.80"
STATE POLICE

TEXT

ALL TEXT WILL BE 'B' SERIES
ALL 24 HRS TEXT WILL BE 3 INCH 'B' SERIES

27.20 "
FOOD 24 HRS

23"
CAMPING

24.80"
SERVICES

25.20"
HOSPITAL

22.20"
LODGING

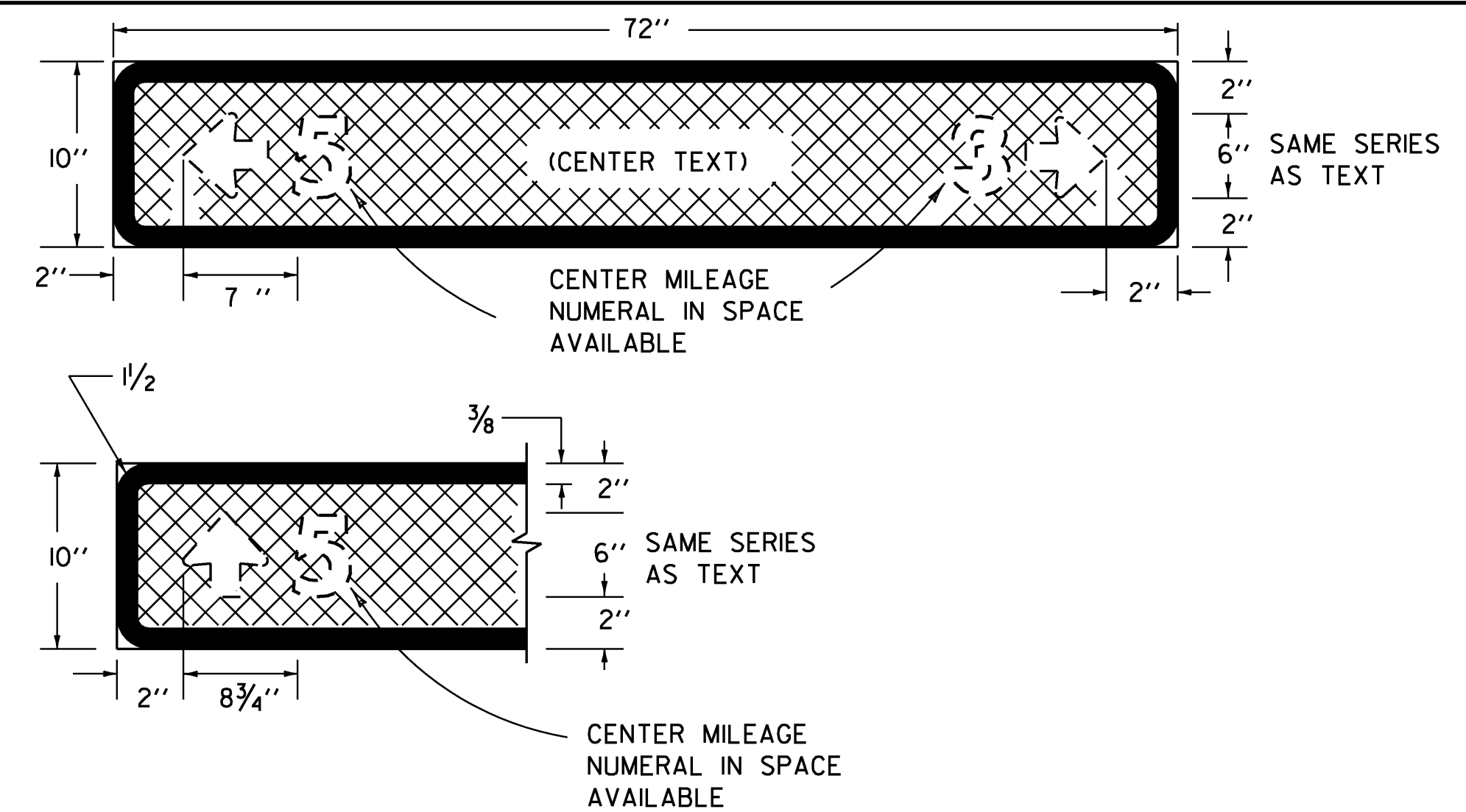
41.00"
GAS / DIESEL 24 HRS

41.00"
BORDER PATROL

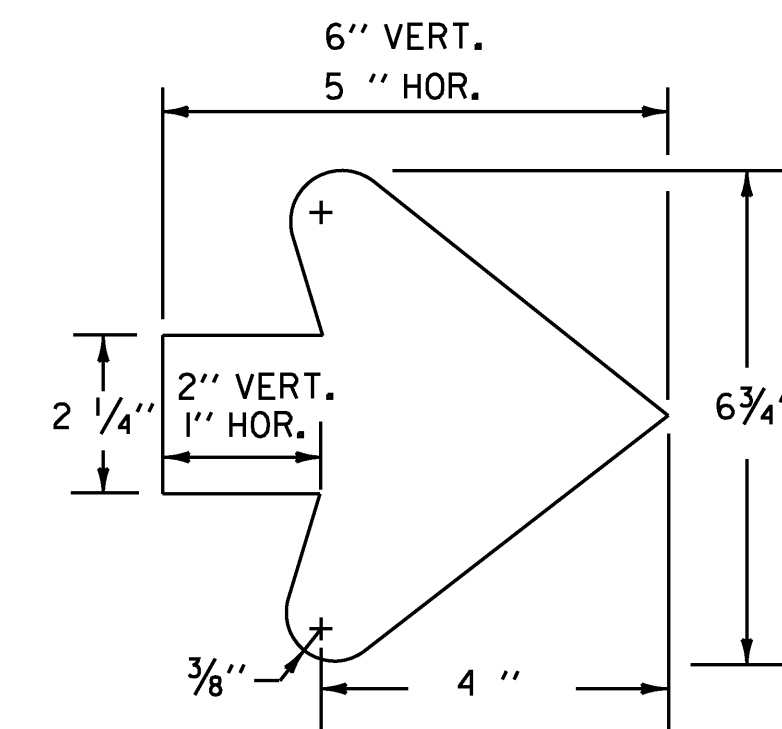
31.40"
AMBULANCE

29.60"
DIESEL 24 HRS

GENERAL MOTORIST
SERVICE SIGN
DETAILS



SIGN & LEGEND LAYOUT DIMENSIONS



ARROW DIMENSIONS

GENERAL:

DOTTED LINES DENOTE VARIABLE TEXT. CROSSHATCHING DENOTES BLUE BACKGROUND. ALL DIMENSIONS ARE IN INCHES UNLESS OTHERWISE SPECIFIED.

MATERIALS:

THE SIGN BASE MATERIAL FOR SERVICES SIGNS SHALL BE HIGH DENSITY OVERLAID PLYWOOD 3/4 INCH THICK OR FLAT SHEET ALUMINUM 0.125 INCH THICK.

COLORS:

THE SERVICE SIGNS SHOWN ON THIS SHEET SHALL HAVE RETROREFLECTIVE WHITE LEGEND ON RETROREFLECTIVE BLUE BACKGROUND, THE COLORS SHALL CONFORM WITH THE COLORS ADOPTED BY THE AMERICAN ASSOCIATION OF STATE HIGHWAY AND TRANSPORTATION OFFICIALS AND APPROVED BY THE DEPARTMENT OF TRANSPORTATION (US DOT), FEDERAL HIGHWAY ADMINISTRATION (FHWA)

SIGNS WILL HAVE RETROREFLECTIVITY EQUAL TO OR EXCEEDING ASTM TYPE III REQUIREMENTS.

LETTERING:

THE LEGEND SHALL CONFORM WITH THE STANDARD ALPHABETS FOR HIGHWAY SIGNS APPROVED BY THE NATIONAL JOINT COMMITTEE ON UNIFORM TRAFFIC CONTROL DEVICES.

SPECIFICATIONS:

ALL SIGNS SHALL BE IN ACCORDANCE WITH THE MANUAL ON UNIFORM TRAFFIC CONTROL DEVICES AND THE STANDARD HIGHWAY SIGNS BOOK (SHS) PUBLISHED BY THE US DOT / FHWA.

**TYPE A
SIGN
DETAIL
SHEET 5**

PROJECT NAME: COLCHESTER-HIGHGATE
PROJECT NUMBER: IMG SIGN (17)

FILE NAME: 09A016.DGN
PROJECT LEADER: EPD
DESIGNED BY: RHB
PLOT FILE: 09A016TYPEA5.1

PLOT DATE: 8/21/2009
DRAWN BY: BMB
CHECKED BY: EPD
SHEET 49 OF 221