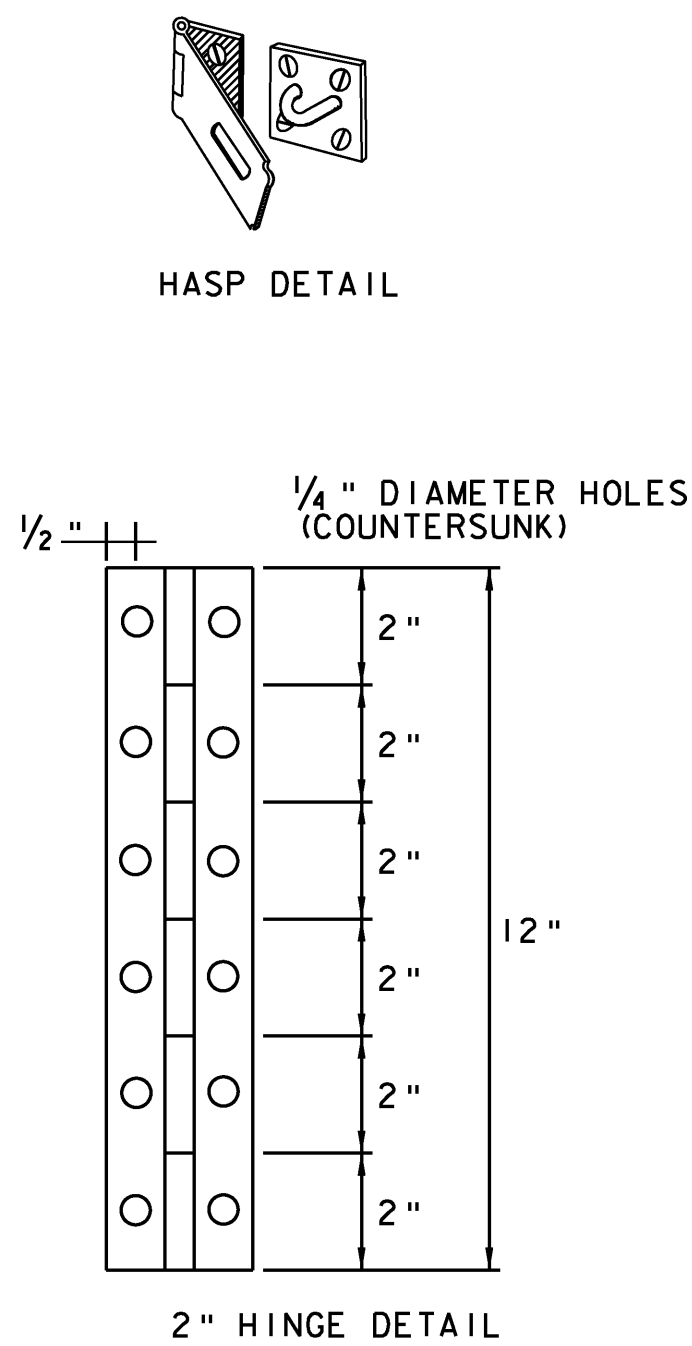
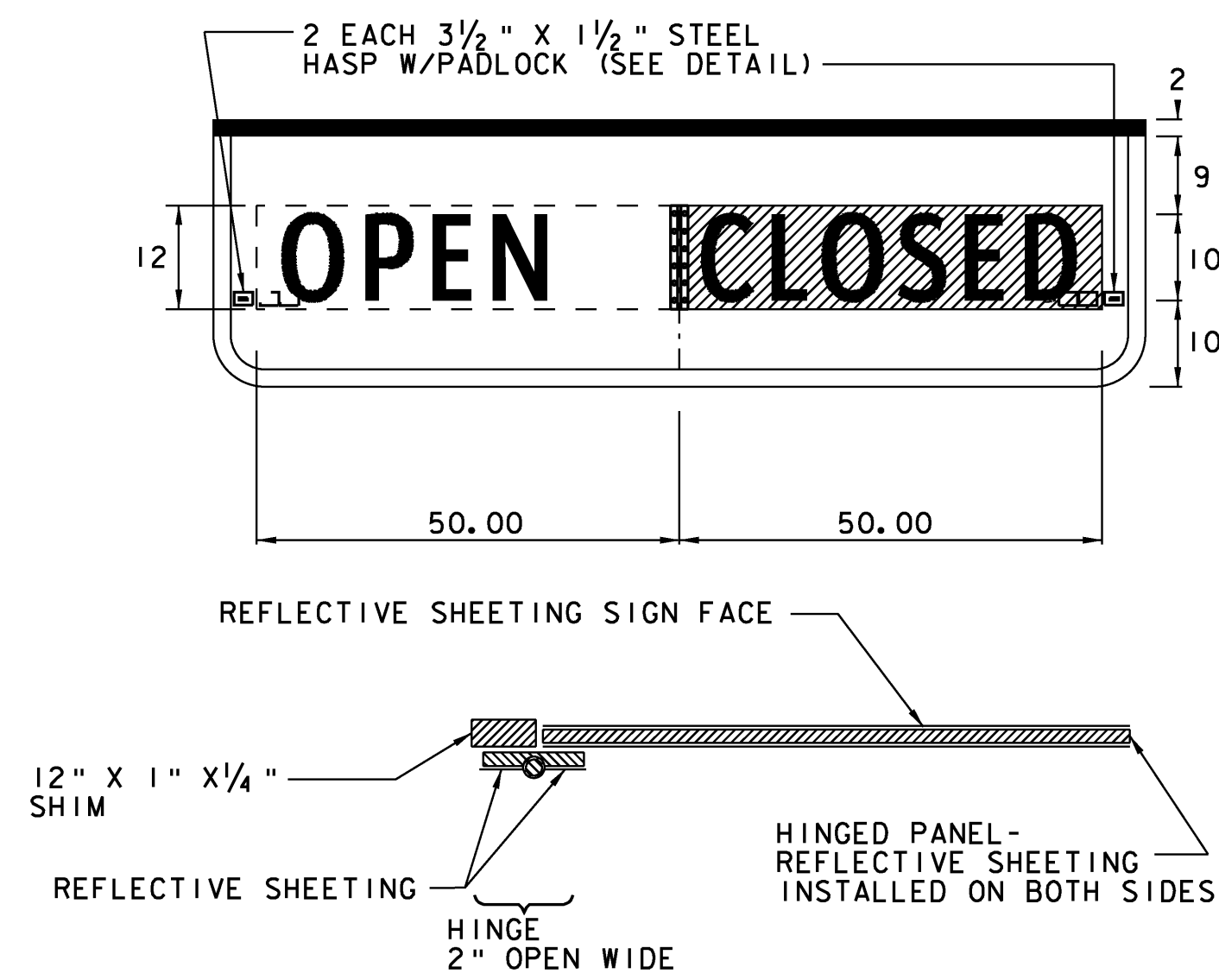


FONT:
 (1) ClearviewHwy-5-W
 (2) ClearviewHwy-2-W
 NORTHBOUND MM 94.680 RT.
 SOUTHBOUND MM 95.700 RT.



THE CENTRALLY HINGED PANEL TO HAVE THE WORD "OPEN" DISPLAYED WHEN SWUNG TO THE RIGHT AND "CLOSED" DISPLAYED WHEN SWUNG TO THE LEFT ON THE PARENT SIGN. FURNISH AND MOUNT STAINLESS STEEL RETAINERS TO SECURE THE PANEL IN EITHER POSITION. PANEL POSITION WILL BE CHANGED FROM THE GROUND WITH A POLE. HINGE TO BE COVERED WITH SAME RETROREFLECTIVE MATERIAL AS MAIN SIGN. ADJUST LETTER TO LETTER SPACING TO CLEAR HINGE IF NECESSARY AND OTHER LETTERS ACCORDINGLY.



BORDER R=2.25" TH=0.75"
 NORTHBOUND MM 108.880 RT.
 SOUTHBOUND MM 127.700 RT.
 SOUTHBOUND MM 95.000 RT.

COLORS: THE SIGN SHALL HAVE RETROREFLECTIVE WHITE TEXT AND BORDER (ASTM TYPE IX) ON A RETROREFLECTIVE BLUE BACKGROUND (ASTM TYPE III).

NOTES:

1. TEXT LAYOUT DIMENSIONS ARE BASED ON THE "LETTER & NUMERAL WIDTHS AND SPACE" TABLES FOUND IN THE "STANDARD HIGHWAY SIGNS" BOOK. MINOR VARIATIONS IN THE TEXT DIMENSIONS ARE ACCEPTABLE BASED ON INDIVIDUAL MANUFACTURER'S LETTER FABRICATION. SIGNIFICANT CHANGES WHICH AFFECTS SIGN APPEARANCE SHALL BE BROUGHT TO THE ATTENTION OF VTRANS PRIOR TO FABRICATION.
2. ALL SIGNS SHALL HAVE A RETROREFLECTIVE WHITE TEXT, SYMBOL AND BORDER, (ASTM TYPE IX) ON A RETROREFLECTIVE GREEN BACKGROUND, (ASTM TYPE III) UNLESS OTHERWISE NOTED.
3. VERMONT STATE ROUTE MARKERS SHALL HAVE GREEN LEGEND AND BORDER WITH A WHITE BACKGROUND.

TYPE B SIGN DETAIL SHEET 16	PROJECT NAME: COLCHESTER-HIGHGATE	
	PROJECT NUMBER: IMG SIGN (17)	
	FILE NAME: 09A016.DGN	PLOT DATE: 8/21/2009
PROJECT LEADER: EPD	DRAWN BY: BMB	
DESIGNED BY: RHB	CHECKED BY: EPD	
PLOT FILE: 09A016TYPEB16.t	SHEET 41	OF 221