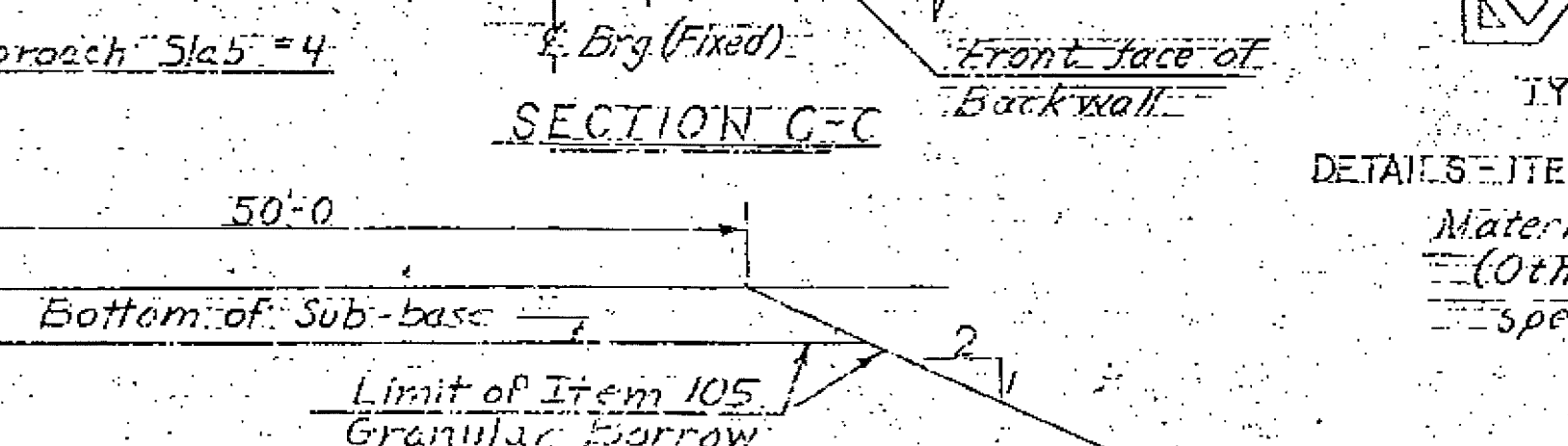
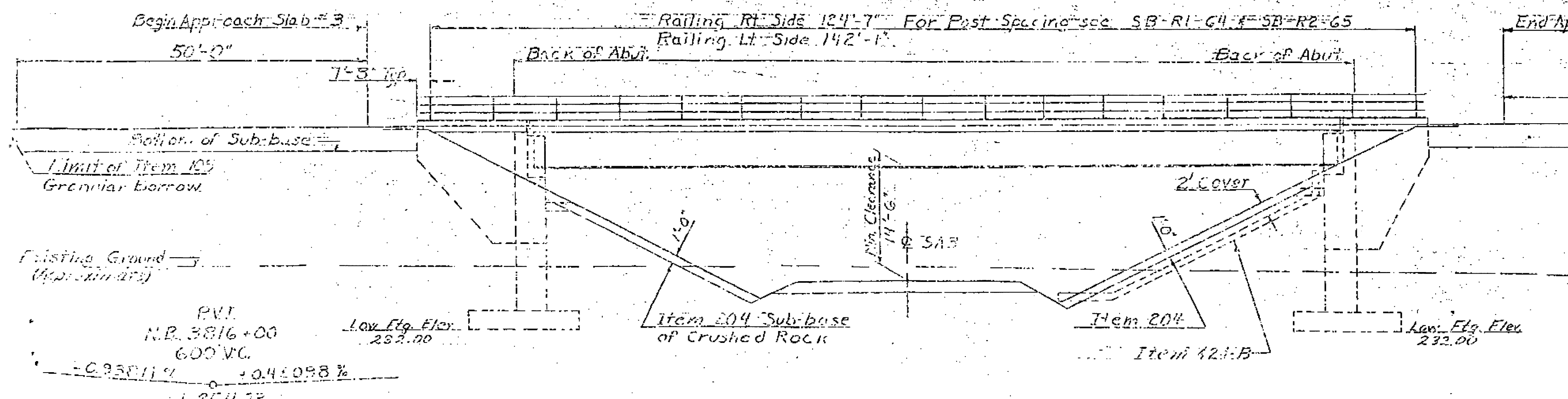
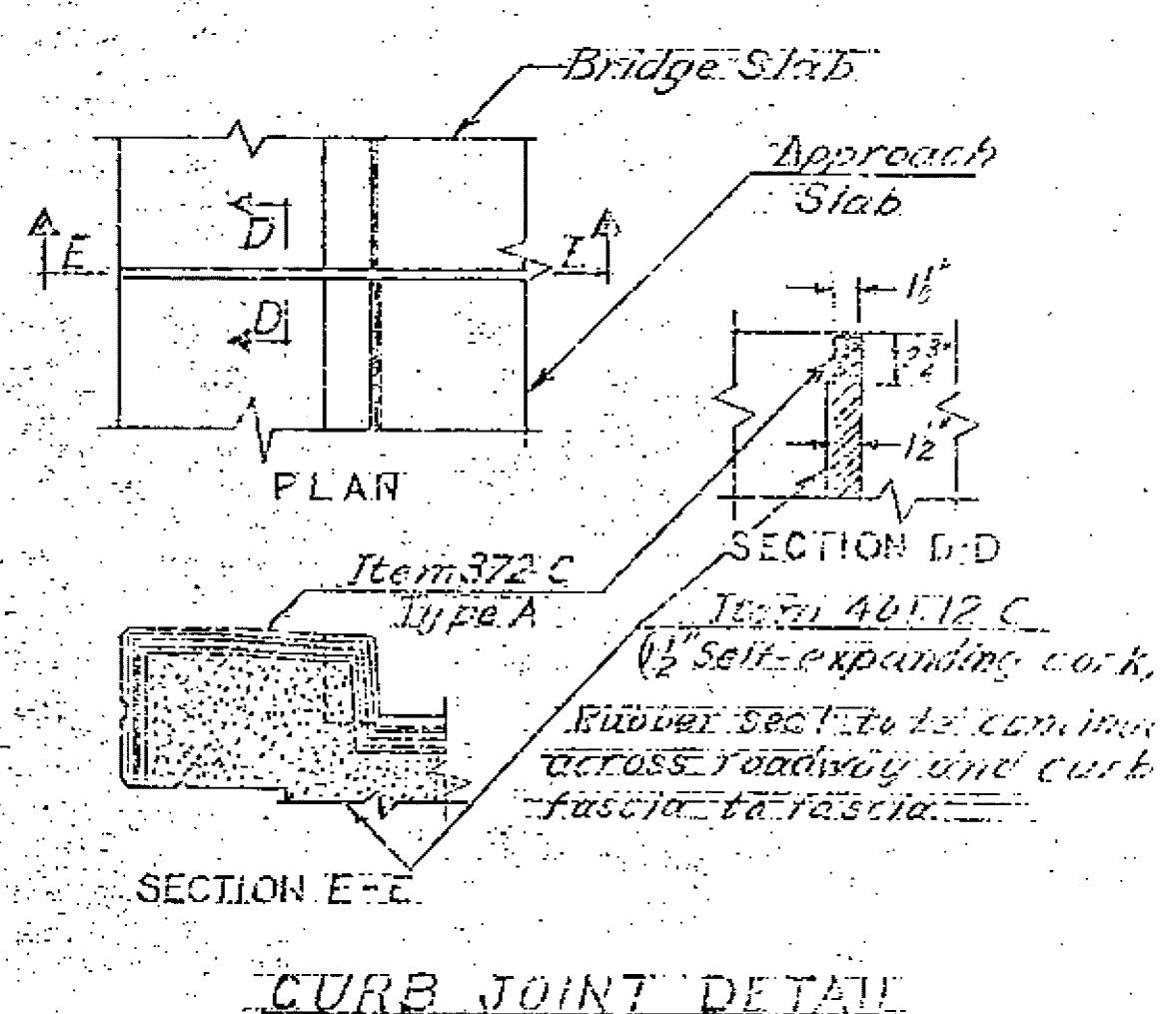
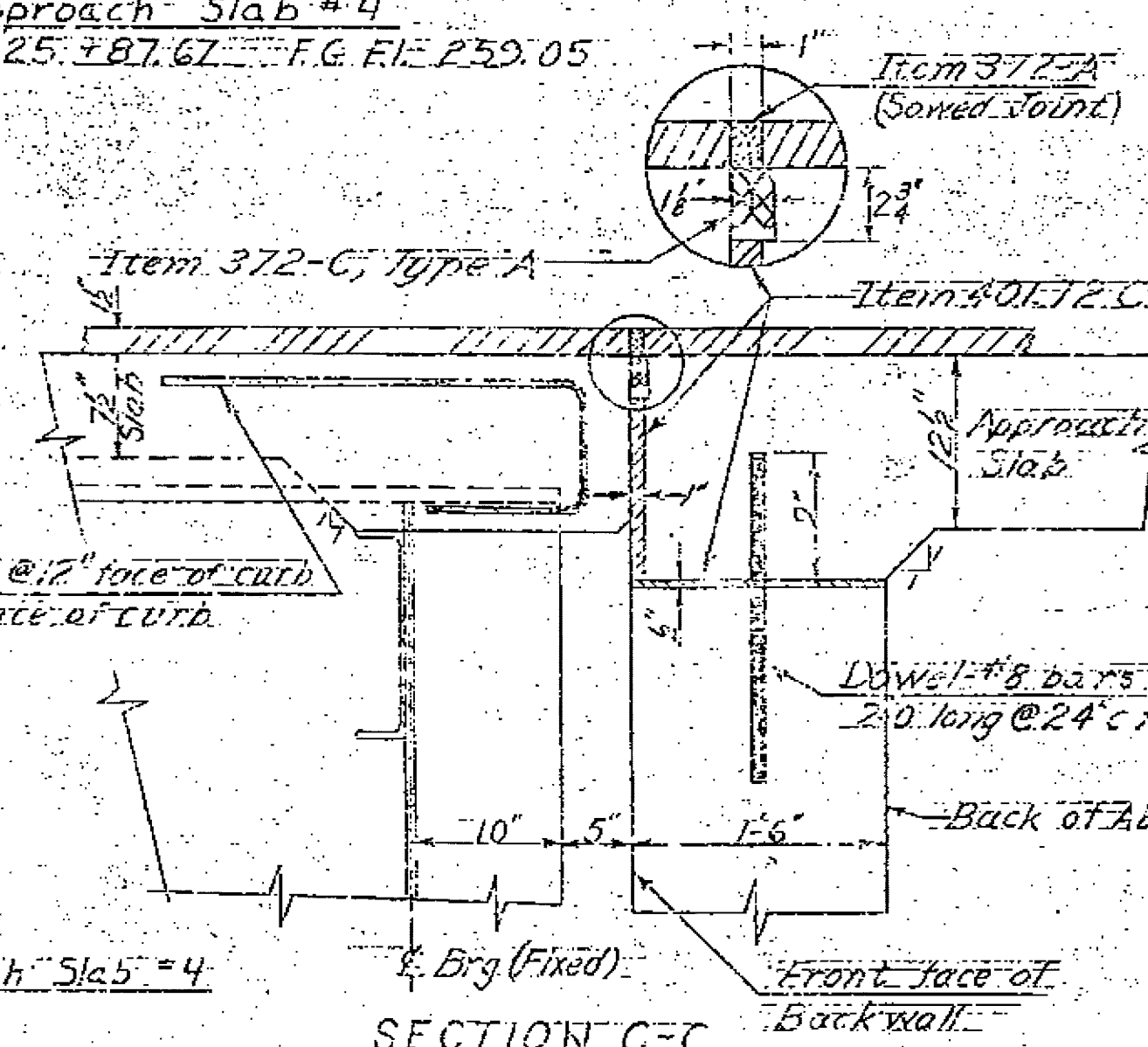
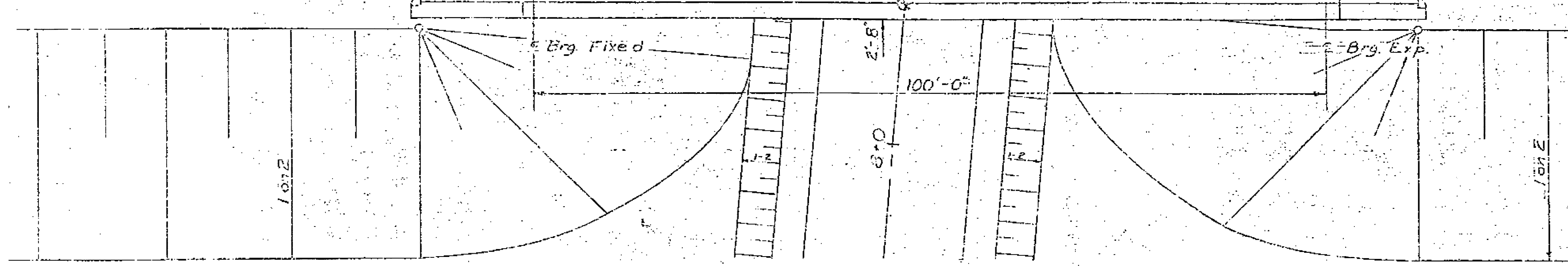
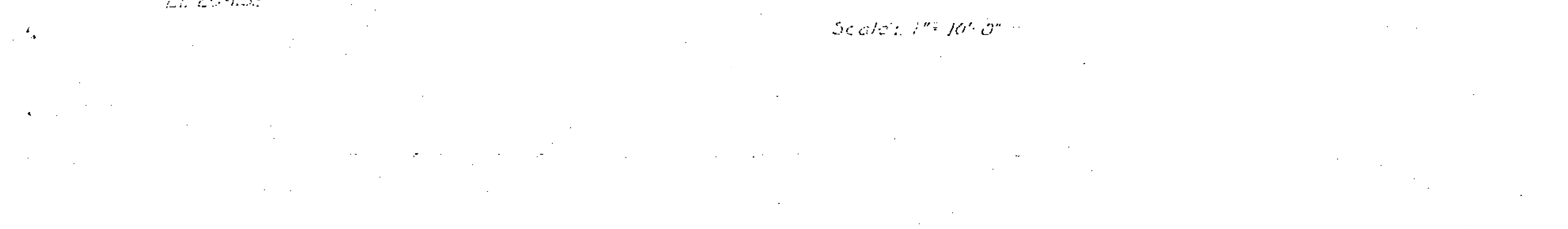


Begin Bridge Sta. 3824+63.25  
 E. Abut. #3 F.G. EL. 258.47  
 E. North Bound Lane  
 3825+0  
 E. Brg. Abut. #3 Sta. 3824+66.0  
 F.G. EL. 258.49  
 E. Brg. Abut. #4 Sta. 3825+66.0  
 F.G. EL. 258.94  
 End Bridge Sta. 3825+69.17  
 Br. Abut. #4 F.G. EL. 258.95  
 To Swanton  
 3826+0  
 Begin Approach Slab #4  
 Sta. 3825+87.67 F.G. EL. 259.05



DETAILS ITEM 372-C JOINT SEALER - PREFORMED  
 Material to be preformed, reference number  
 (Other configurations that satisfy  
 specifications may be used)



ITEM	UNIT	NET	TOTAL	FINAL
CHAS. CONC. OF DEPTH	C.Y.			
CHAS. CONC. OF FACE	C.Y.			
INC. CONC. CHAS. CONC.	C.Y.			
STRUT CONC.	C.Y.			
CONC. CLASS AA BRIDG.	C.Y.			
CONC. CLASS B BRIDG.	C.Y.			
REIN. STEEL	LBS.			
PREPARED ASB. CONC.	S.			
TREATER CONC.	S.			
EMULS. CONC. (10% S)	S.			
EMULS. CONC. (5% S)	S.			
EMULS. CONC. (2% S)	S.			

BR 201 OF 214  
 STATE OF VERMONT  
 DEPARTMENT OF TRANSPORTATION  
 PROJECT NAME: ST. ALBANS-SWANTON  
 TOWN OF SWANTON  
 ROUTE NO. 1-89  
 I-89 OVER S.A. 3 @ MILE STA. 3025+15  
 NB (PLAN VIEW) APPROACH SLAB (PLAN VIEW)  
 BRIDGE 94N&S  
 SHEET 18 OF 32  
 FOR REFERENCE ONLY