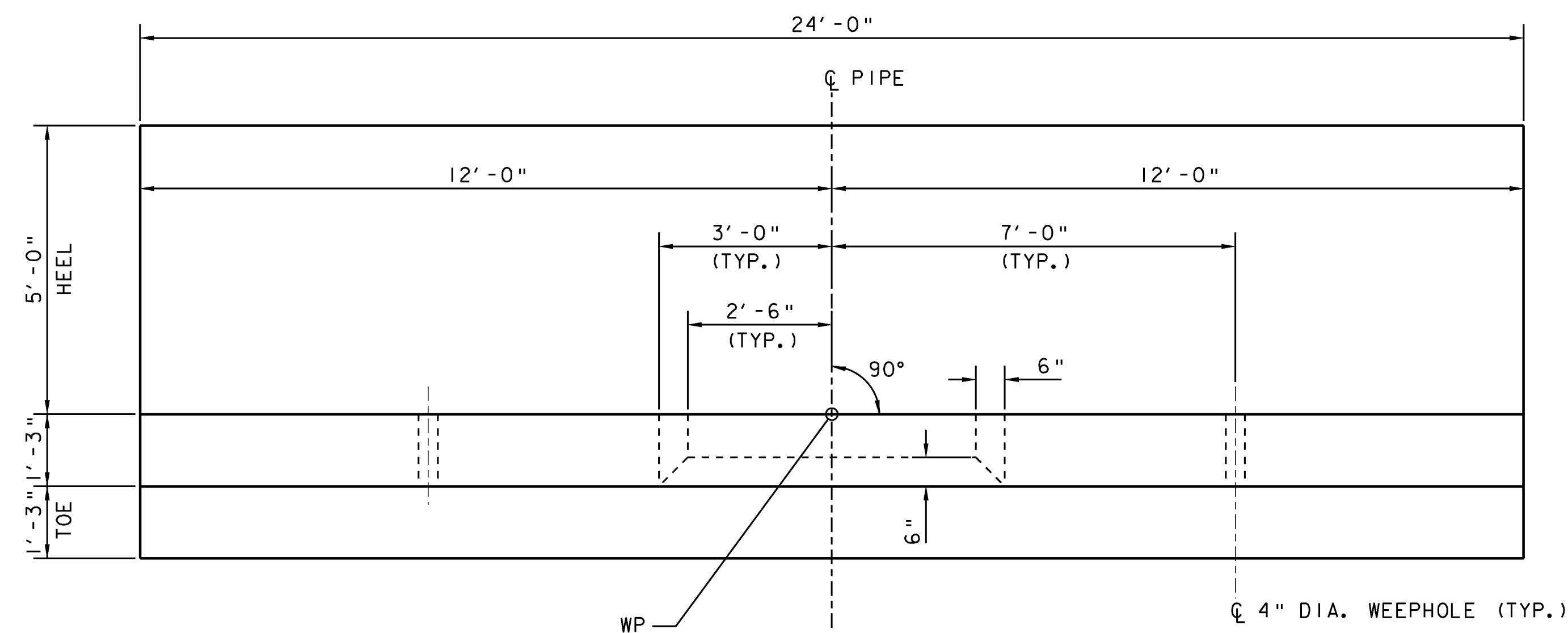


HEADWALL ELEVATION

SCALE 1/2" = 1'-0"  
 1 0 1 2

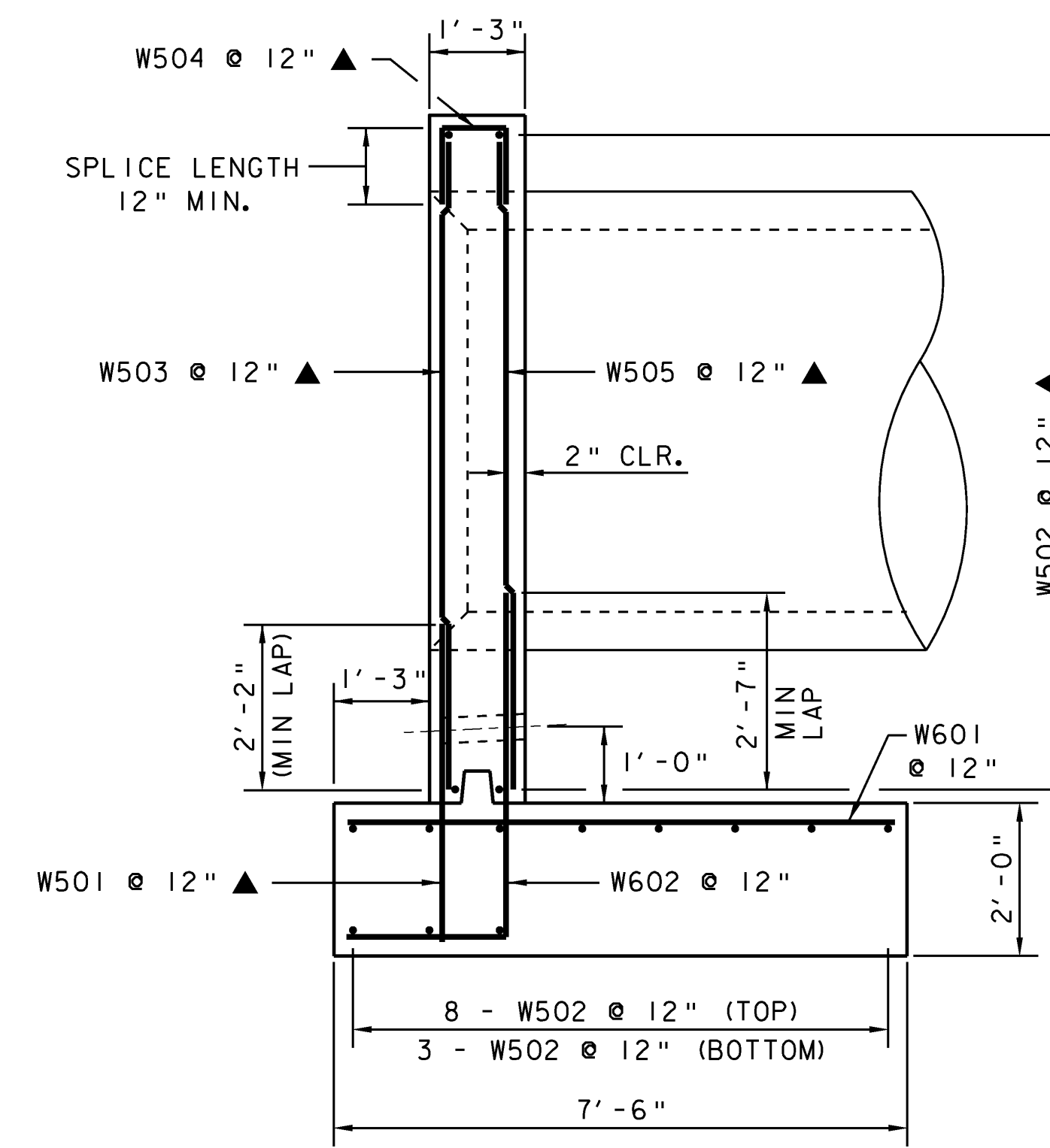


HEADWALL PLAN

SCALE 1/2" = 1'-0"  
 1 0 1 2

**NOTE:**

NF = NEAR FACE  
 FF = FAR FACE  
 EF = EACH FACE  
 ▲ = CUT TO FIT IN FIELD  
 3" CLR. UNLESS OTHERWISE SPECIFIED ON THE PLANS.

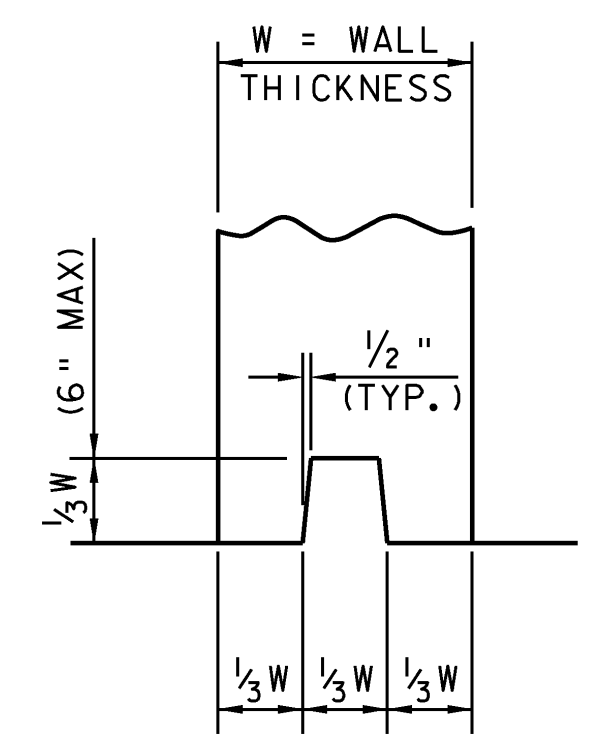


HEADWALL SECTION

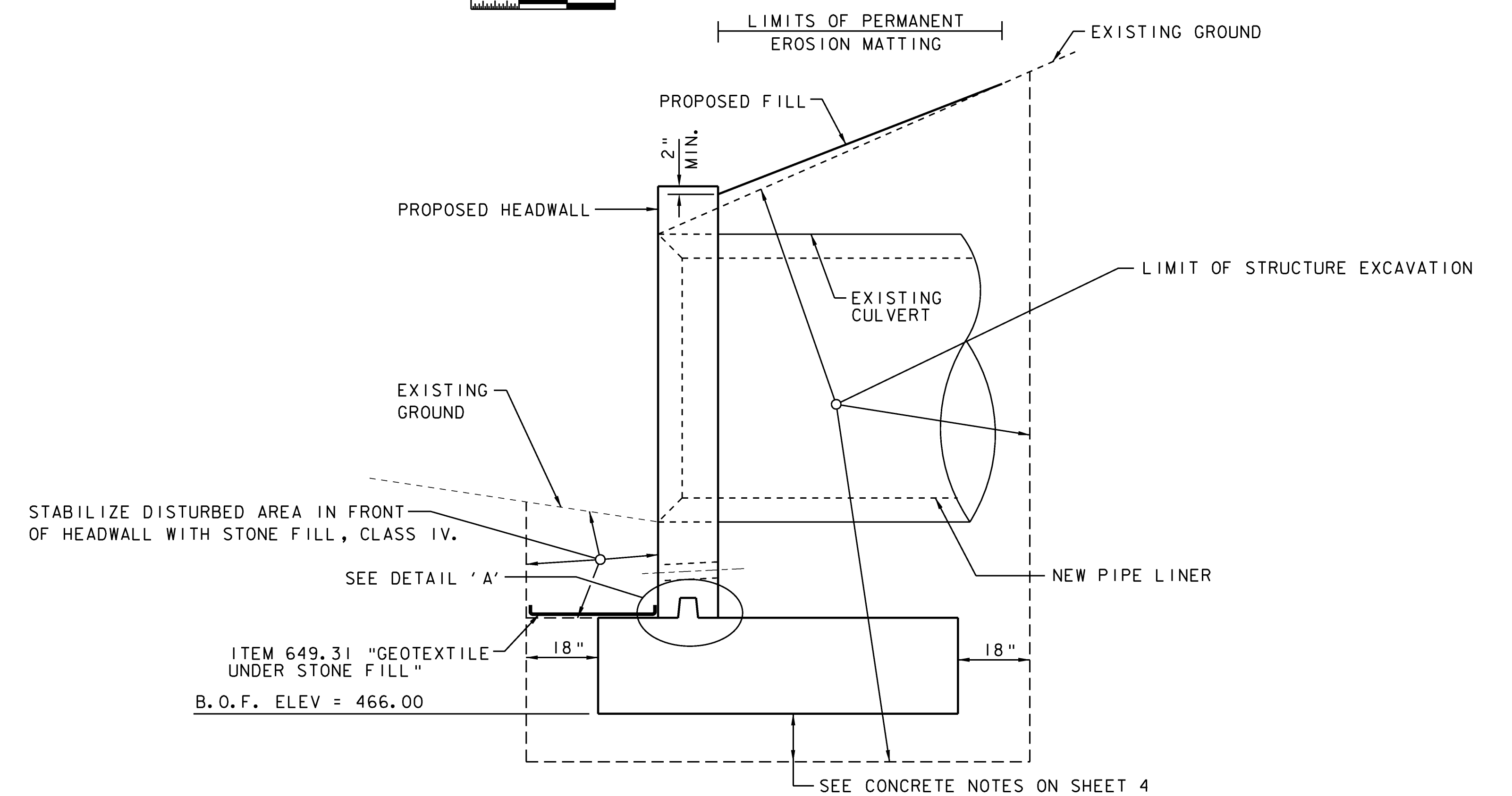
SCALE 1/2" = 1'-0"  
 1 0 1 2

**NOTES:**

1. SEE CONCRETE NOTES ON SHEET 4 FOR SUBFOOTING AND DOWEL DETAILS.



DETAIL 'A'  
 NOT TO SCALE



PROPOSED HEADWALL SECTION

SCALE 1/2" = 1'-0"  
 1 0 1 2



PROJECT NAME: SHARON  
 PROJECT NUMBER: IM CULV (18)

FILE NAME: HEADWALL72SHARON.DGN  
 PROJECT LEADER: DMB  
 DESIGNED BY: LKW  
 HEADWALL DETAILS (13-1)

PLOT DATE: 13-JUL-2009  
 DRAWN BY: SLM  
 CHECKED BY: WLD  
 SHEET 31 OF 36