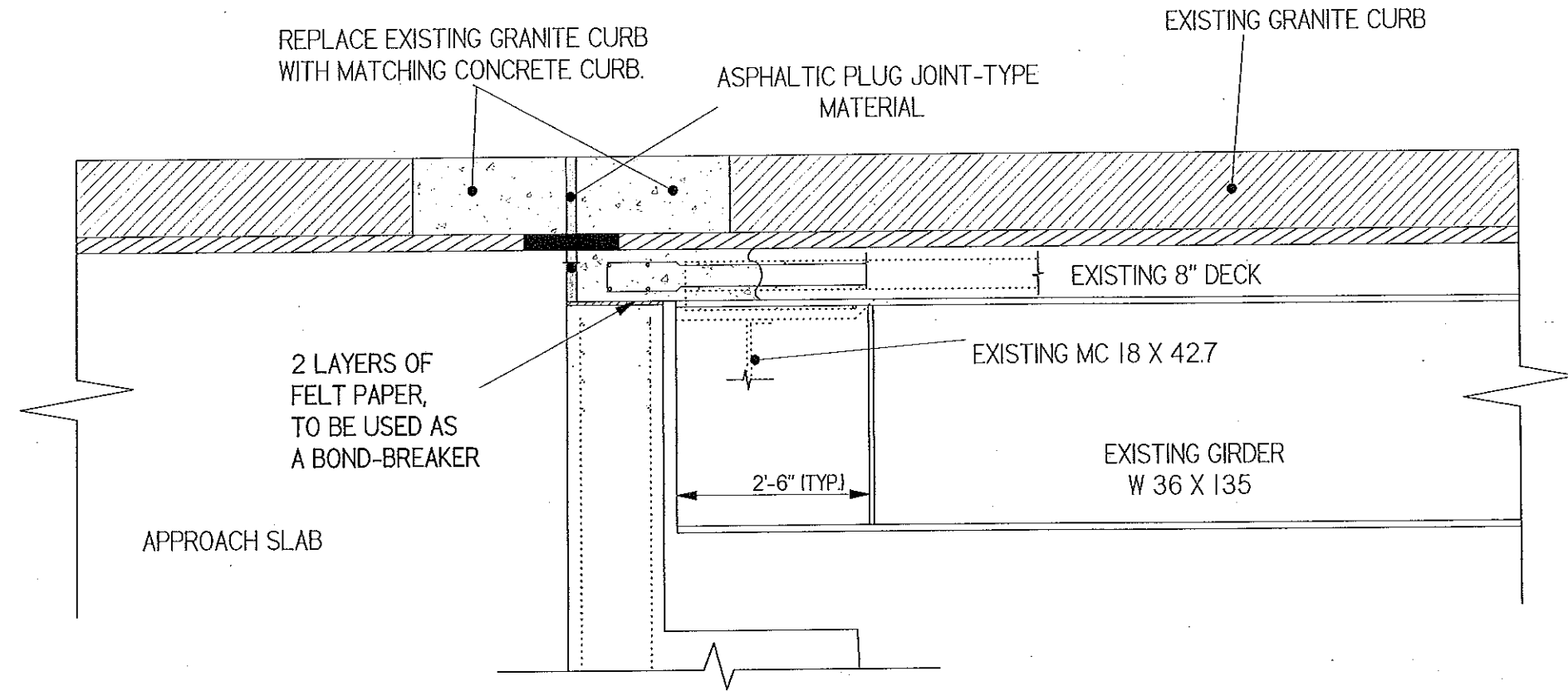


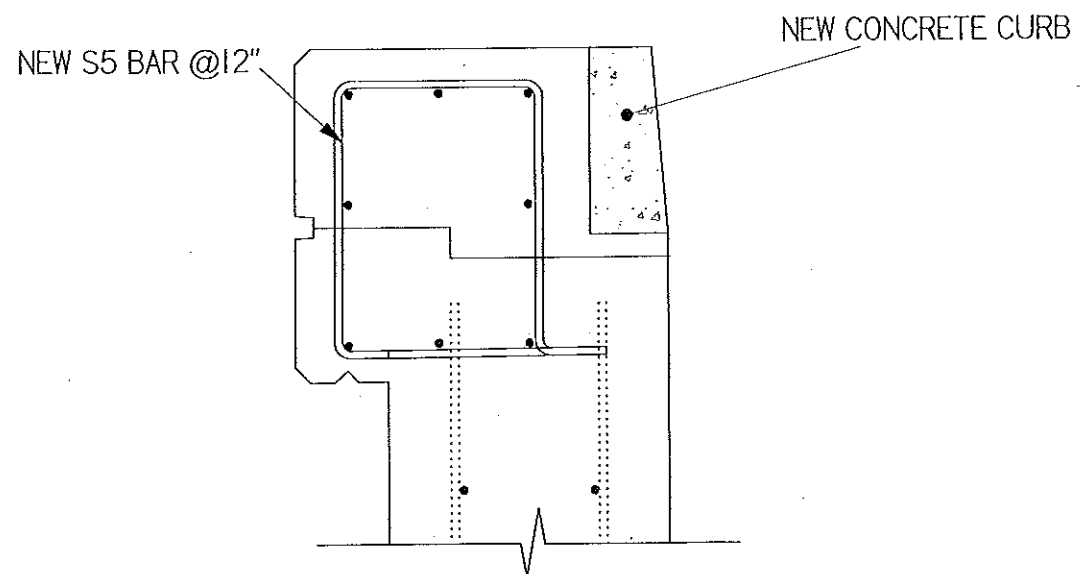
CURB DETAILS

SECTION B-B (FROM SHEET 2 OF 7)



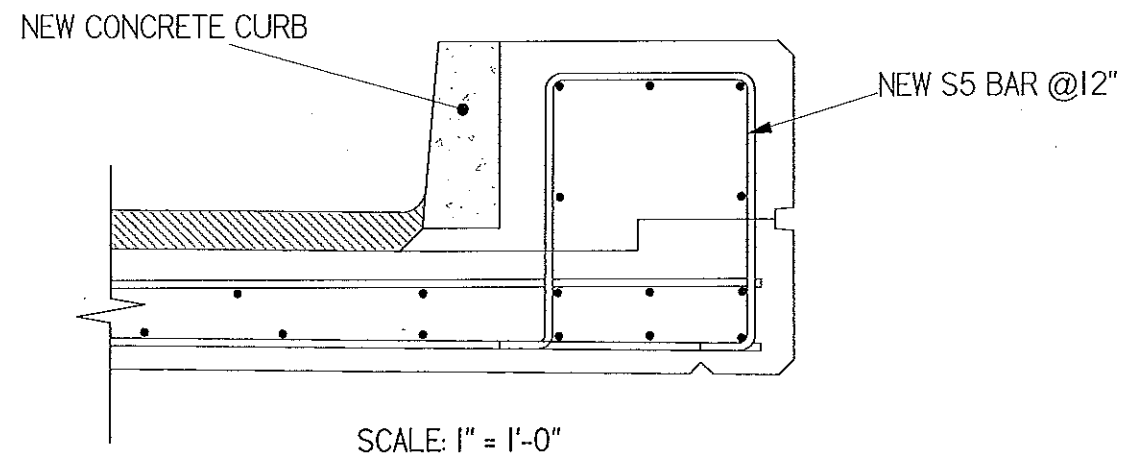
SCALE: 1/2" = 1'-0"

SECTION D-D (FROM SHEET 2 OF 7)



SCALE: 1" = 1'-0"

SECTION C-C (FROM SHEET 2 OF 7)



SCALE: 1" = 1'-0"

BARNET, I-91, BR 74N	
CURB DETAILS	
DESIGNED/DRAWN BY: DWH	SHEET 6 OF 7
CHECKED BY:	