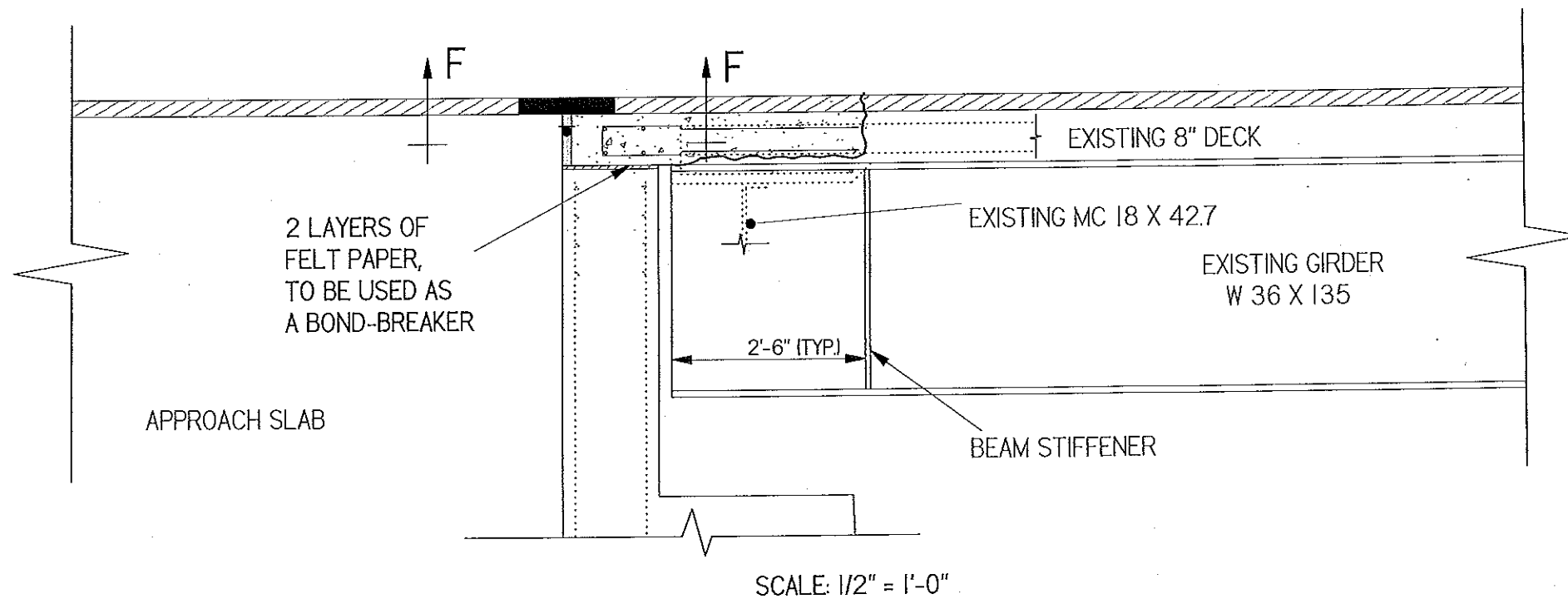
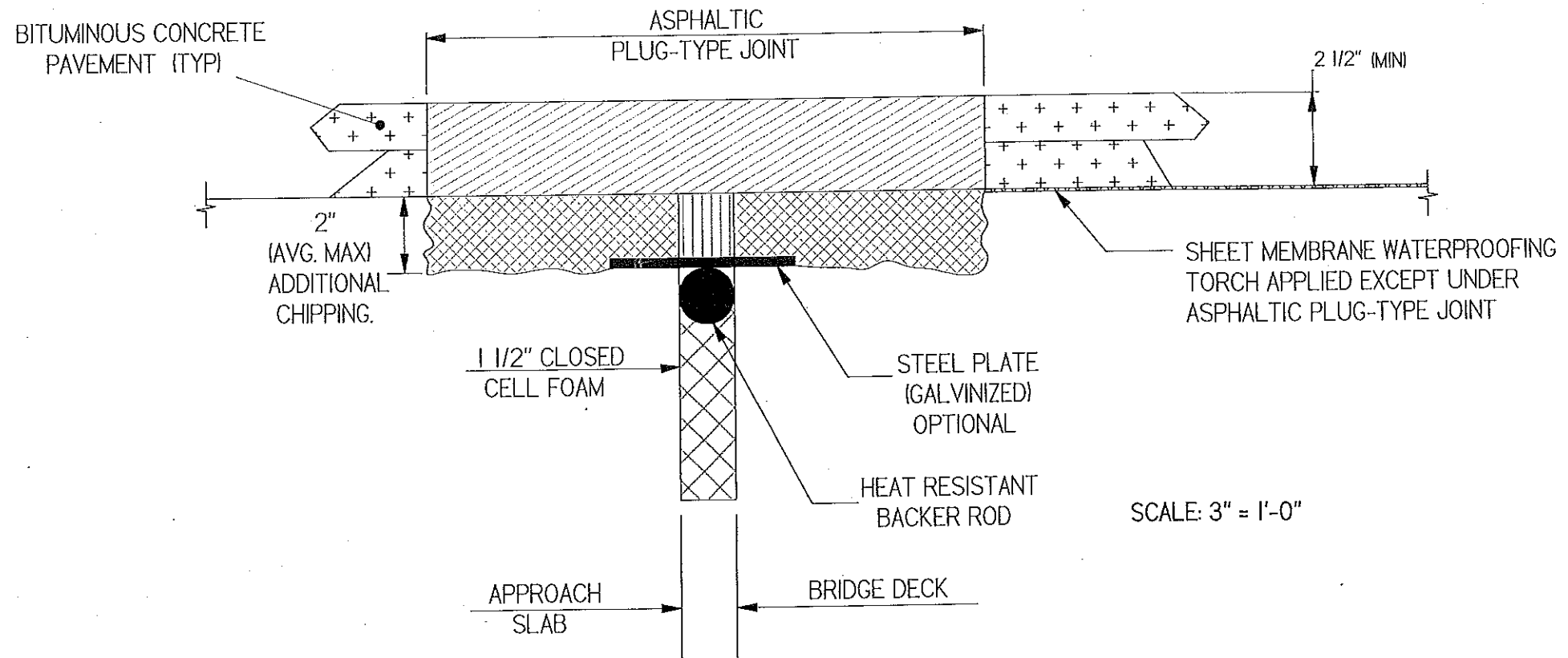


ASPHALTIC PLUG-TYPE JOINT

SECTION F-F



BARNET, I-91, BR 74N

ASPHALTIC PLUG-TYPE JOINT

DESIGNED/DRAWN BY: DWH
CHECKED BY:

SHEET 5 OF 7