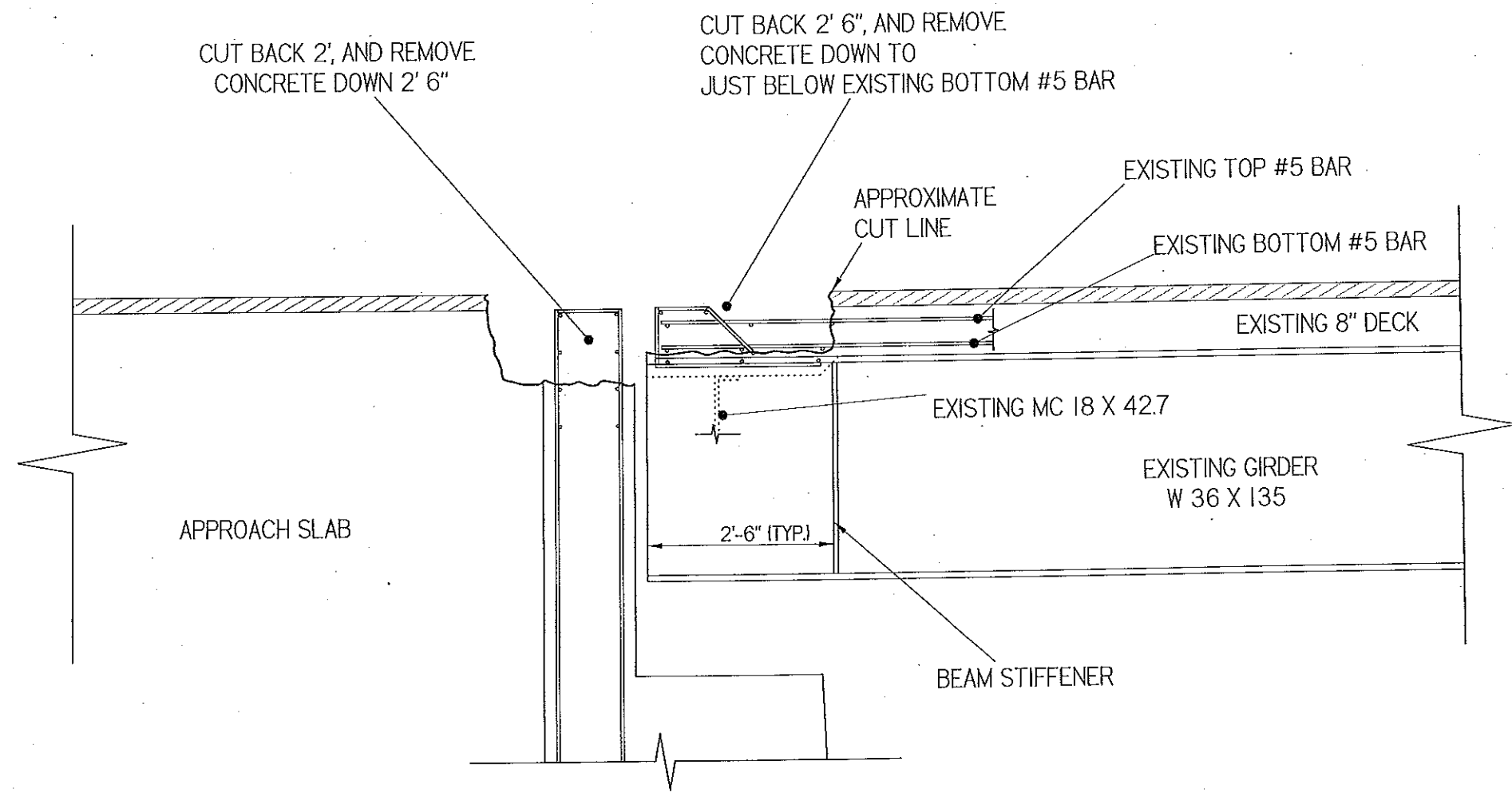


# CONCRETE REMOVAL



SCALE: 1/2" = 1'-0"

BARNET, I-91, BR 74N	
CONCRETE REMOVAL	
DESIGNED/DRAWN BY: DWH	SHEET 3 OF 7
CHECKED BY:	