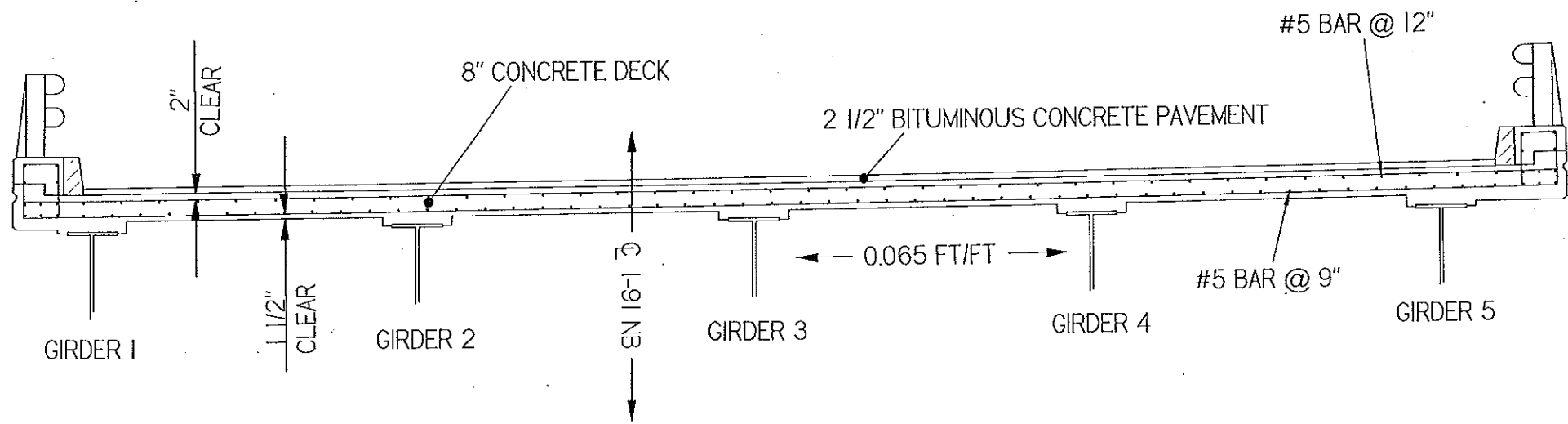


BRIDGE EXPANSION JOINT PLAN

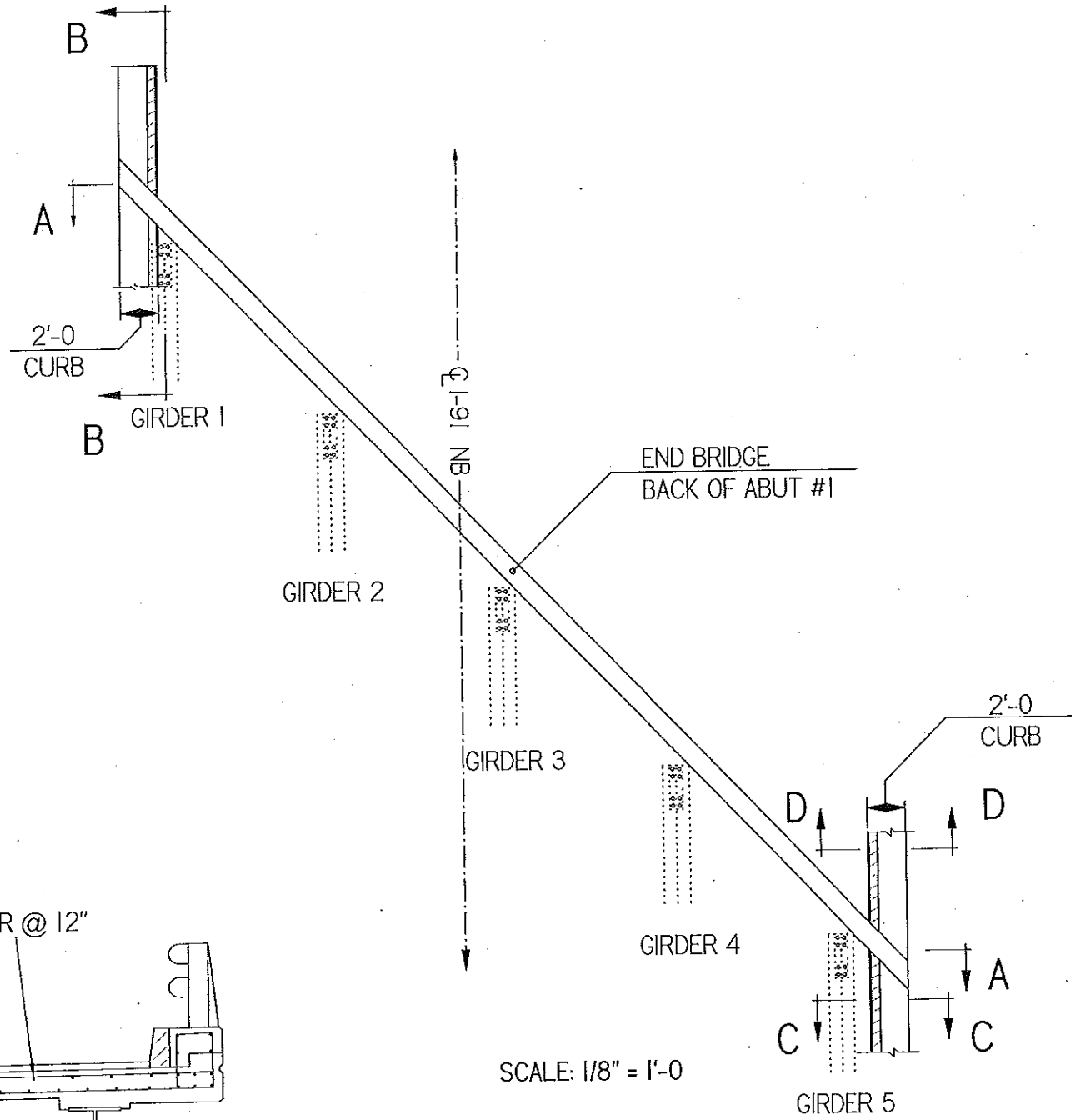
NOTES:

SEE SHEET 6 OF 7 FOR
SECTION B - B, SECTION C - C,
AND SECTION D - D

SECTION A-A C OF JOINT



SCALE: 1/4" = 1'-0



SCALE: 1/8" = 1'-0

BARNET, I-91, BR 74N	
LAYOUT & PROFILE OF EXP. JOINT	
DESIGNED/DRAWN BY: DWH	SHEET 2 OF 7
CHECKED BY:	