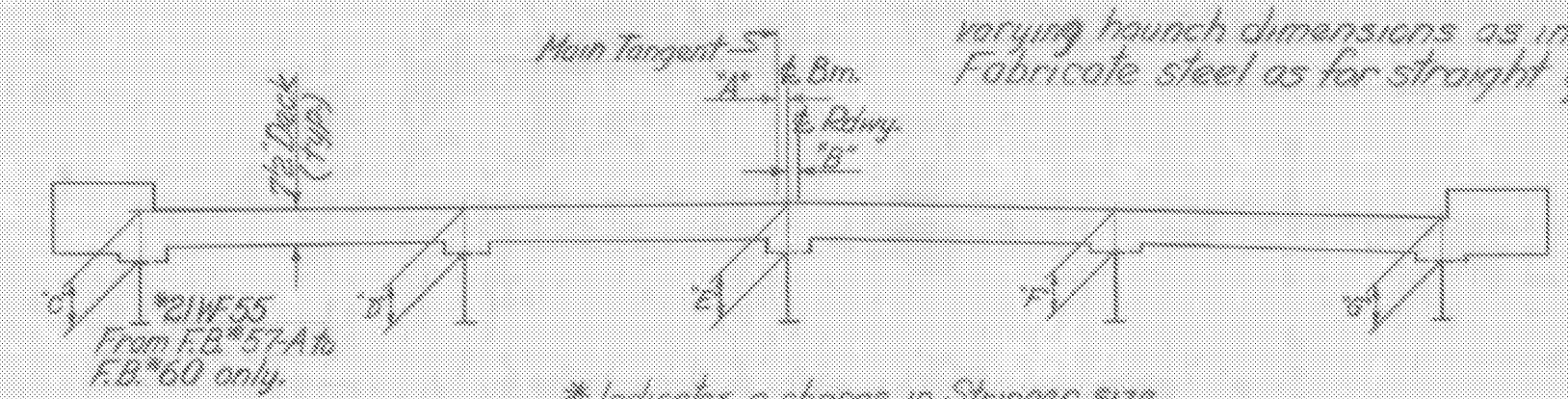


NOTE:
Transition from parabolic crown to straight slope 12:0' either side of L to be made between F.B. #48 & F.B. #54 both NB. & SB. by varying haunch dimensions as indicated. Fabricate steel as for straight grade.



* Indicates a change in Stringer size.

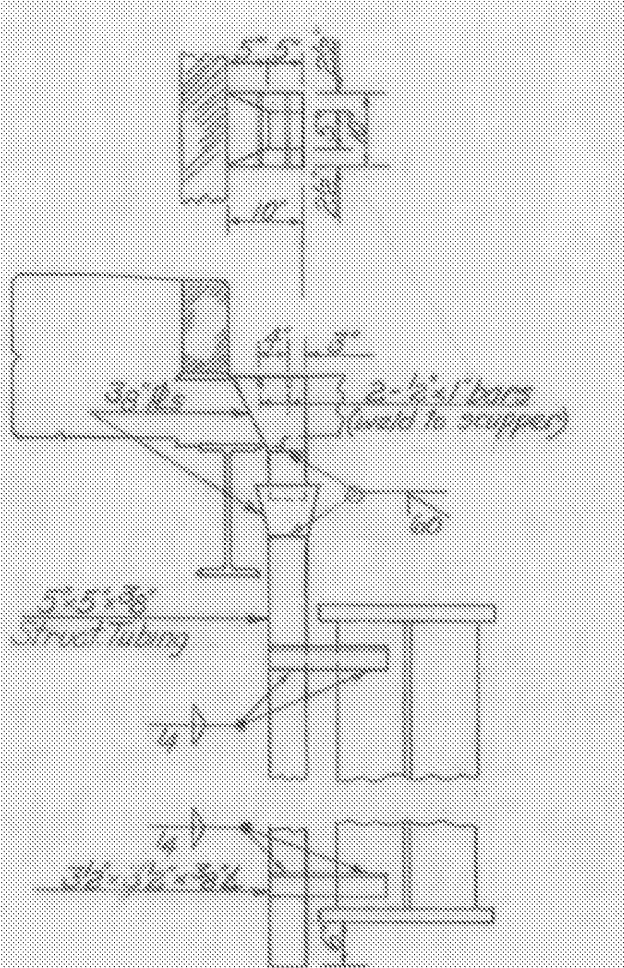
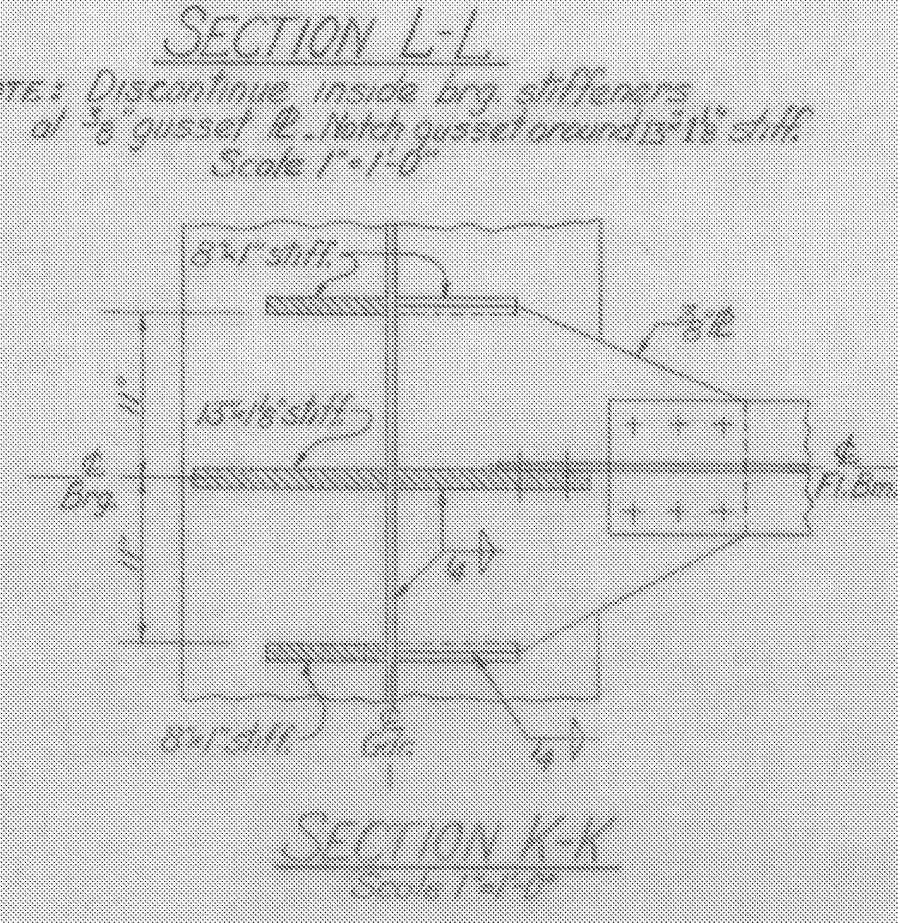
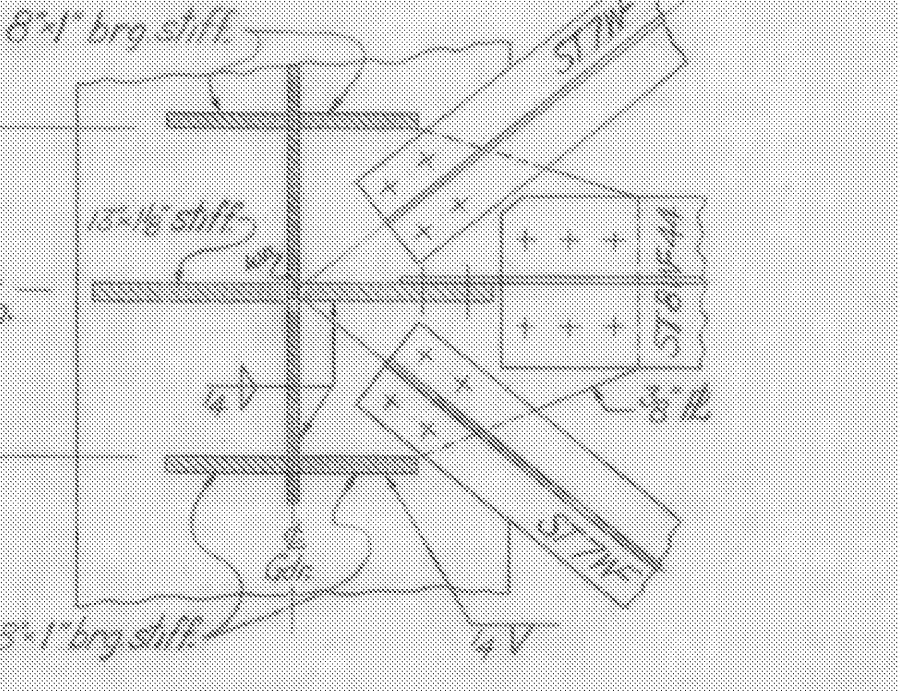
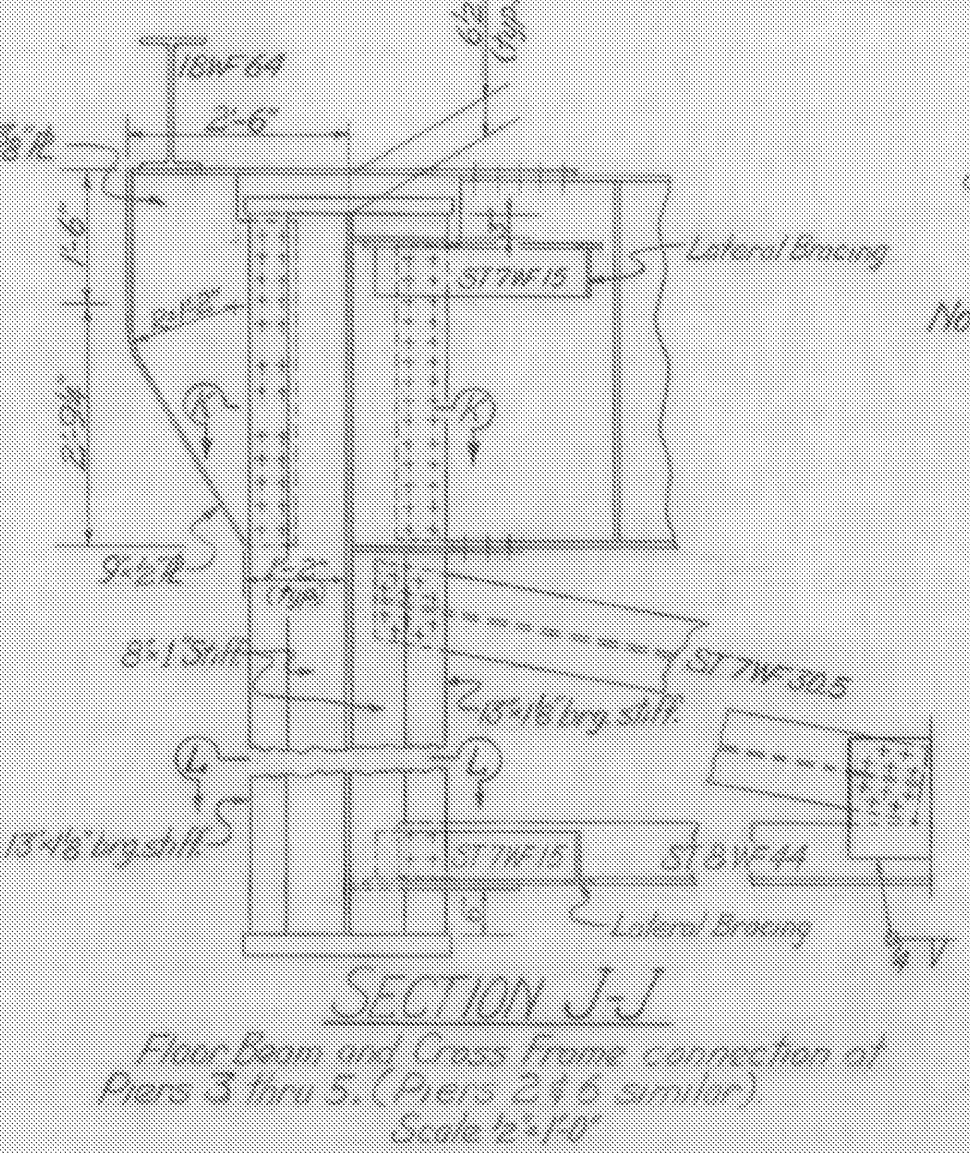
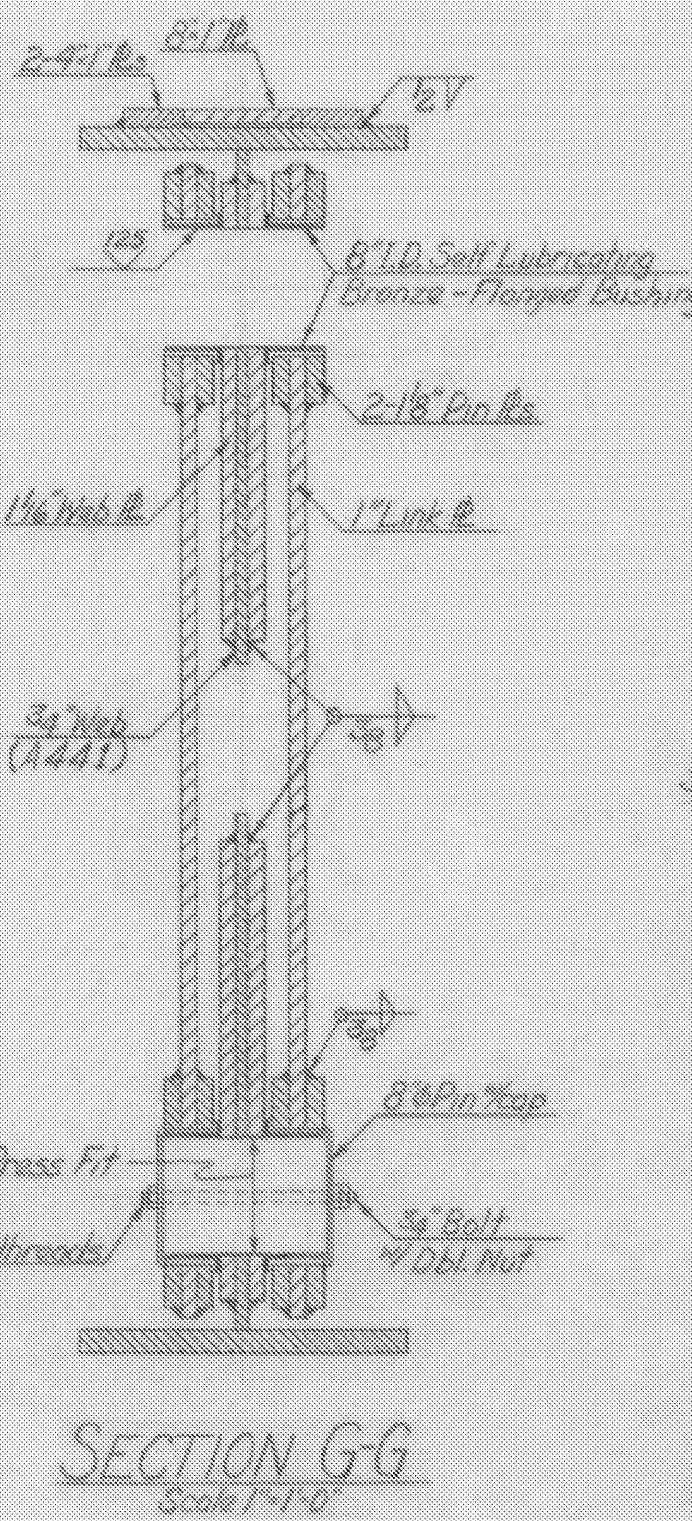
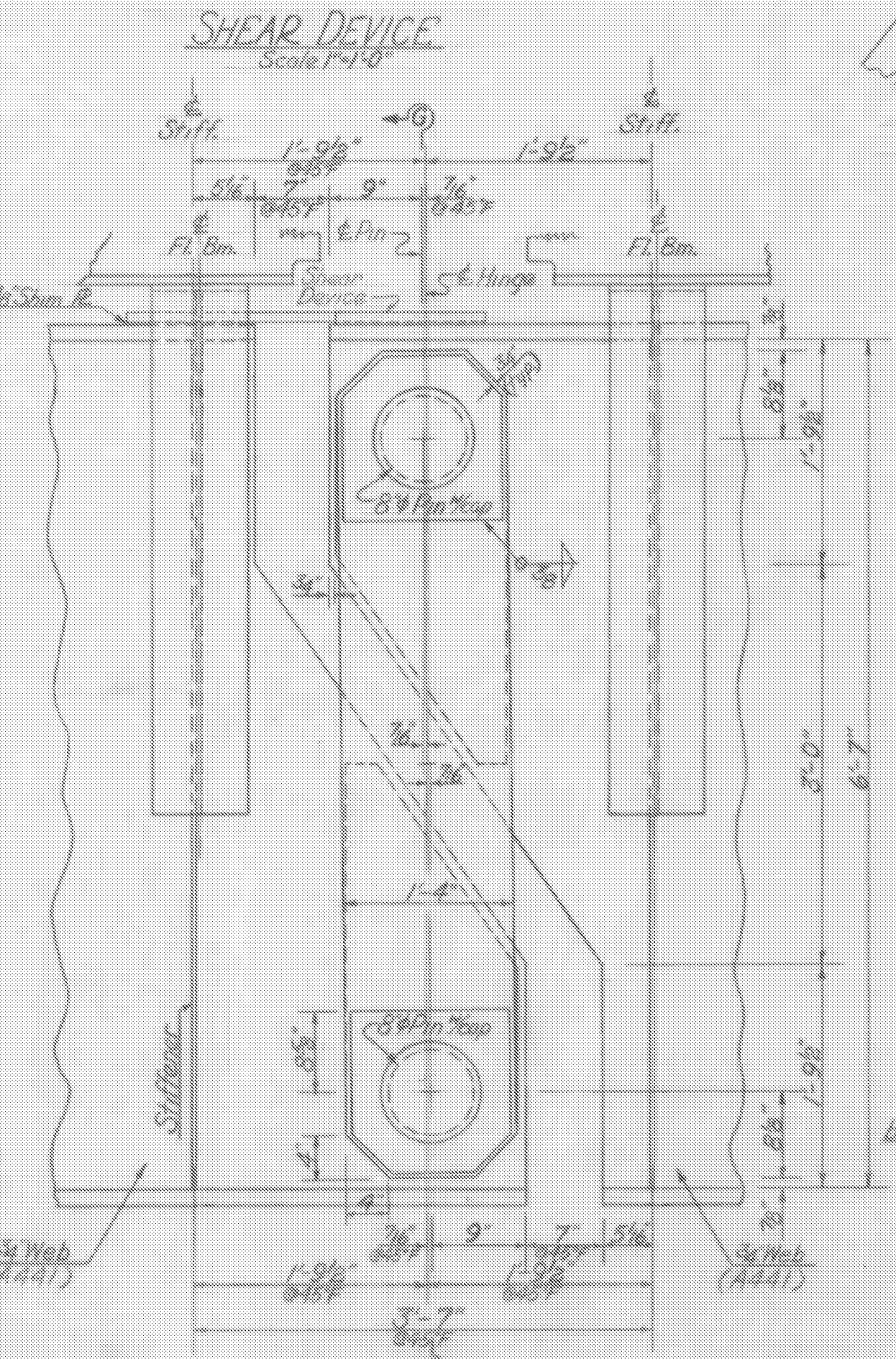
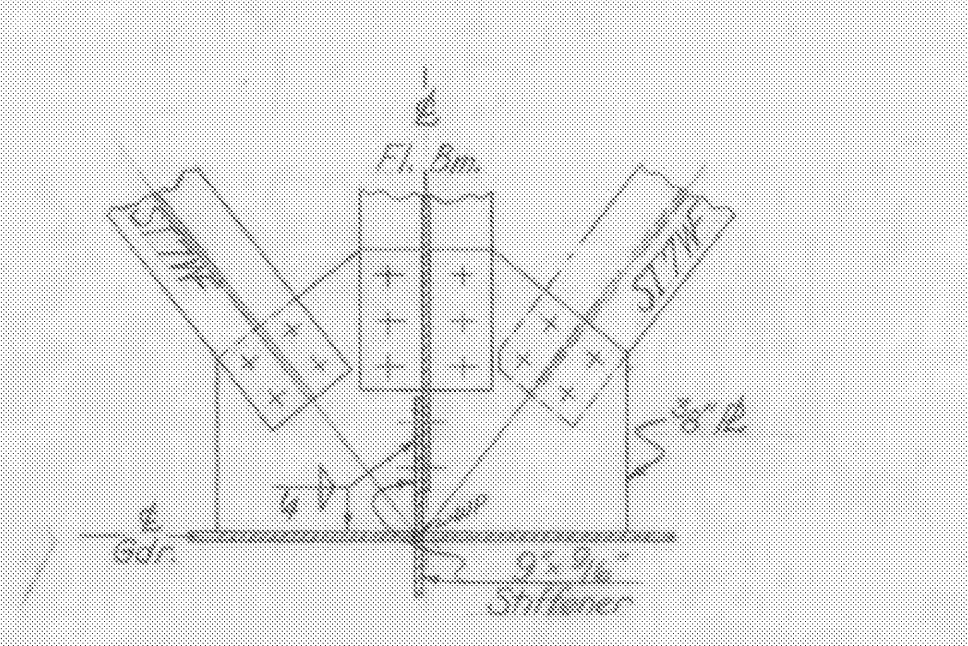
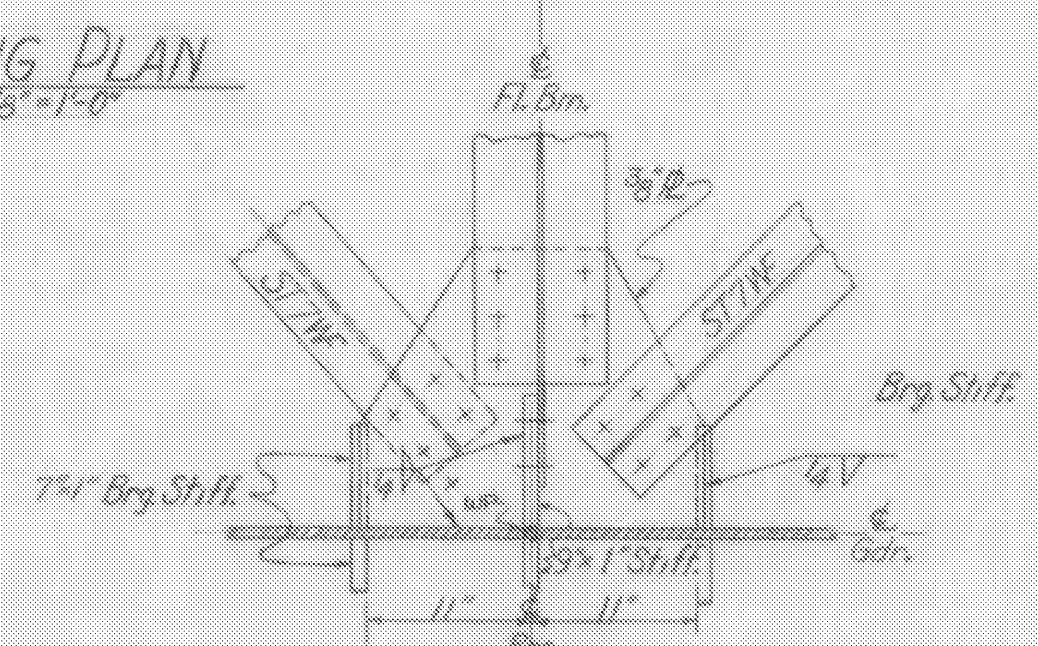
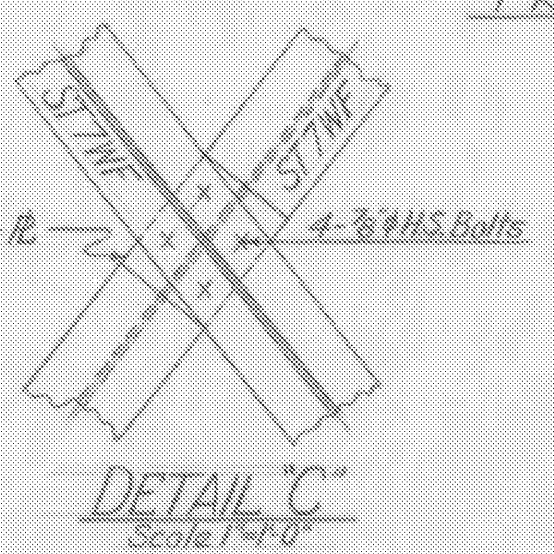
Section of Floor Beam No.	A	B	C	D	E	F	G
48 (Normal Parabolic)			8 1/2	9 1/2	10 3/8	9 1/2	8 1/2
53			8 1/2	8 3/4		8 3/4	8 1/2
54 (Slo. Slope Section)		0	8 1/2	8 3/4		8 3/4	8 1/2
55		4	8 3/4	8 3/4		8 3/4	8 1/2
56		1 1/2	10 1/4	9 1/2		8 3/4	8 1/2
57		2 3/8	11 1/2	9 1/2		8 3/4	8 1/2
57-A	0	3 1/8	* 8 3/8	10 1/4		8 3/4	8 1/2
58	2 1/2	3 3/8	* 10 3/8	10 3/8		8 3/4	8 1/2
59	5 1/4	6 3/8	* 11 1/4	11 1/4	10 3/8	8 3/4	8 1/2
60	8	10 3/4	* 12 3/8	11 1/4	10 3/8	9	8 1/2
48 (Normal Parabolic)			8 1/2	9 1/2	10 3/8	9 1/2	8 1/2
54 (Slo. Slope Section)			8 1/2	8 3/4		8 3/4	8 1/2
55		0	8 3/4	8 3/4		8 3/4	8 1/2
56		4	9 1/2	9 1/2		8 3/4	8 1/2
57		1	10 3/8	9 1/2		8 3/4	8 1/2
57-A	0	1 1/4	* 7 1/8	9 1/4		8 3/4	8 1/2
58	2 1/2	3/8	* 8 3/8	10 1/8		8 3/4	8 1/2
59	5 1/4	1	* 9 1/4	10 3/8		8 3/4	8 1/2
60	8	3 3/8	* 11	11	10 3/8	8 3/4	8 1/2

All dimensions in inches

DECK SECTIONS AT FLOOR BEAMS ON SPIRAL
Dimensions C, D, E, F, & G to be verified after beam profiles have been taken.

- NOTES
- All structural steel not otherwise detailed shall conform to ASTM Specification A-36-62T.
 - Structural Steel detailed as A-441 shall conform to ASTM Specification A-441-60T, High-Strength Low Alloy Structural Manganese Vanadium Steel.
 - Expansion Hinge shall have self-lubricating type bronze bushings meeting requirements as set forth in ASTM-B-22 (AASHTO M107, Alloy 'E'). Pin material for Fixed & Expansion Hinges shall be ASTM A235-63T, Class 'E'.

FRAMING PLAN
Scale 1/8" = 1'-0"



HARTFORD-SHARON
IM MEMB(15)

SHEET 41 OF 47
BRIDGE 44N&S
FOR REFERENCE ONLY

STATE OF VERMONT
DEPARTMENT OF HIGHWAYS

HARTFORD

ROUTE NO. I-91 STA. _____

FRAMING PLAN & DETAILS
I-91 OVER WHITE RIVER
SCALE as noted

SURVEYED BY _____

DRAWN BY RND CHECKED BY BLM

PROJECT NO. I-91-2(3)

SHEET 18 OF 60