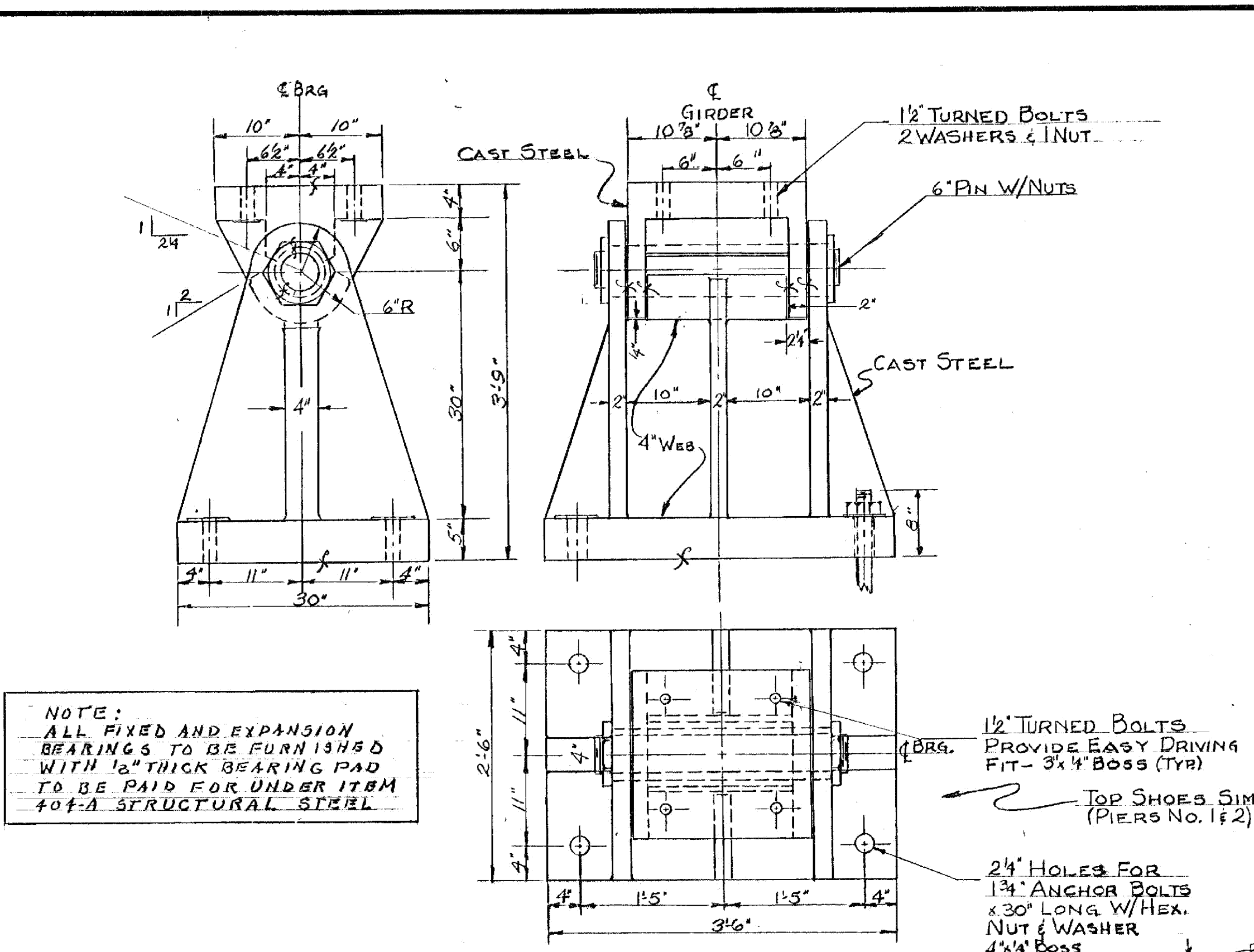
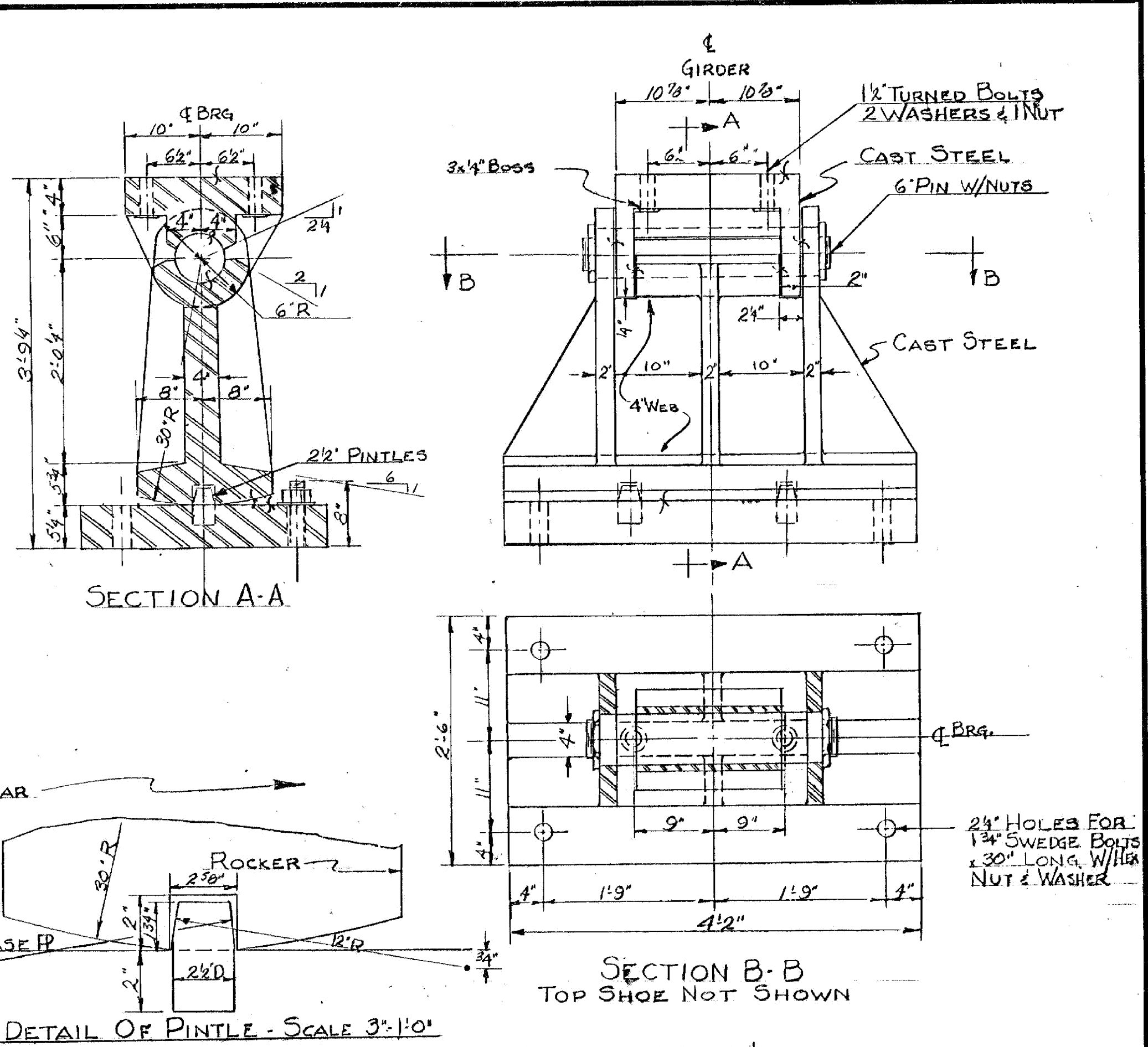


EXPANSION BEARING @ ABUTMENTS

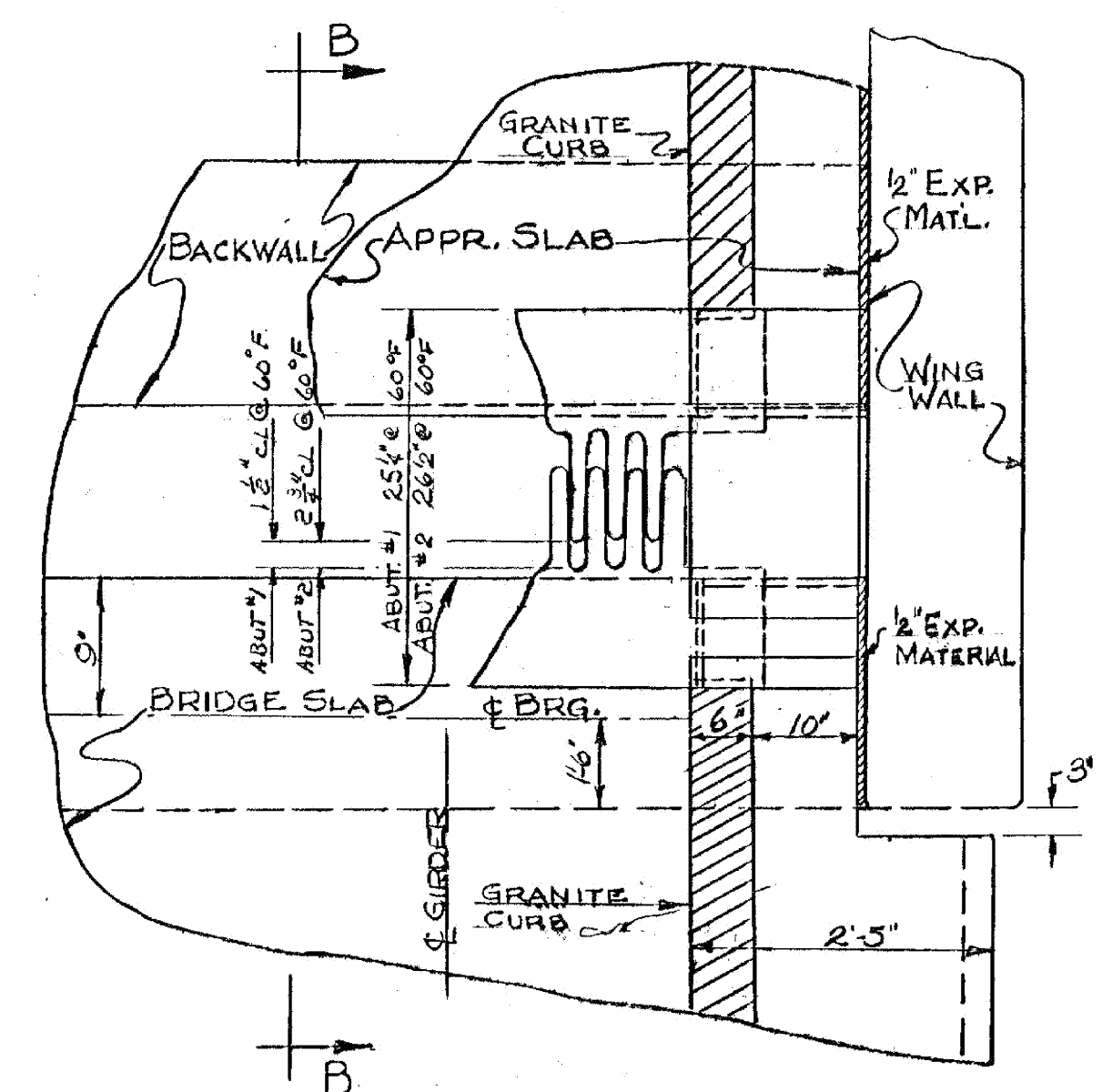


NOTE:  
ALL FIXED AND EXPANSION BEARINGS TO BE FURNISHED WITH 1/2" THICK BEARING PAD TO BE PAID FOR UNDER ITEM 404-A STRUCTURAL STEEL

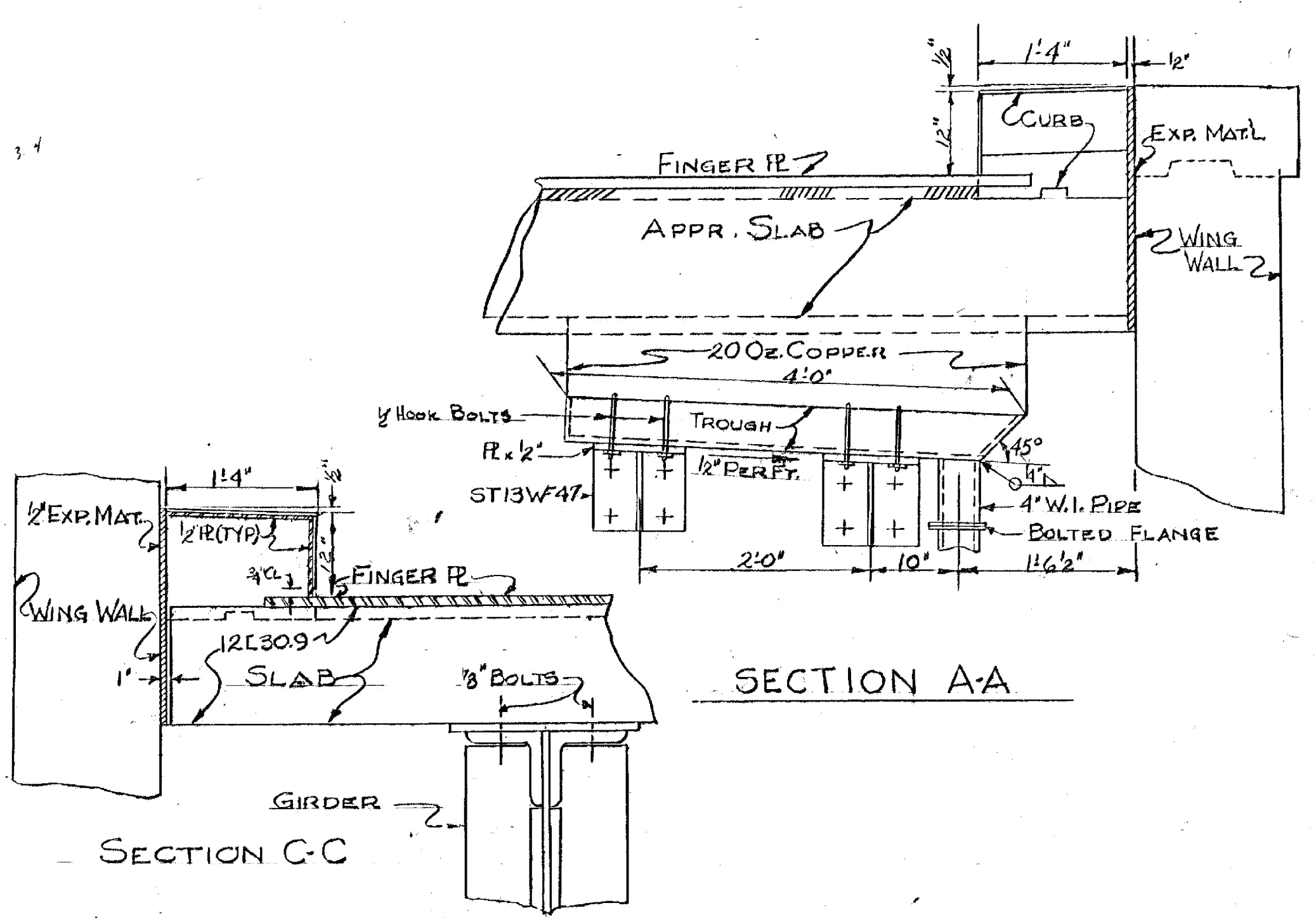
FIXED BEARING @ PIER #1



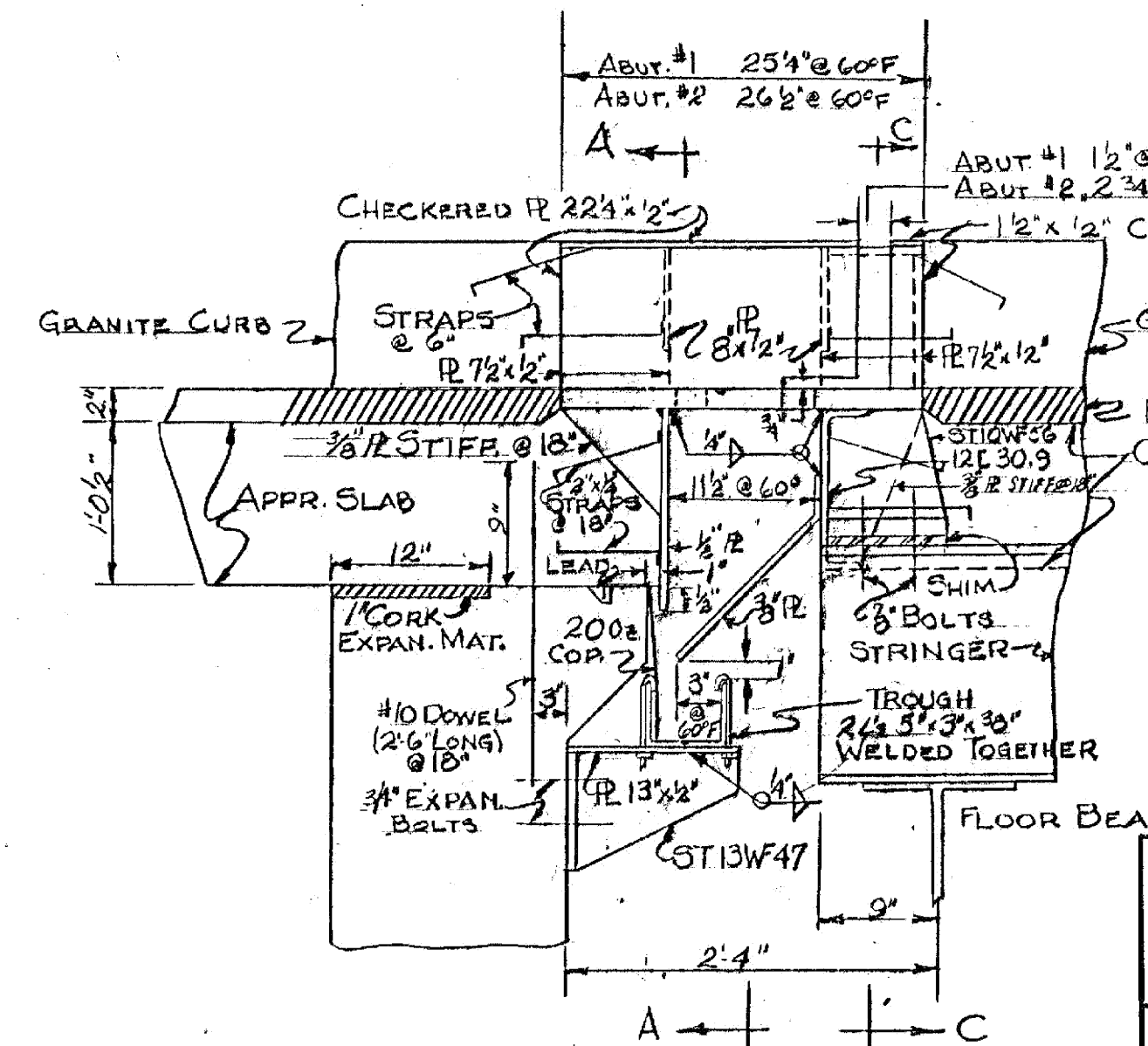
EXPANSION BEARING @ PIER #2



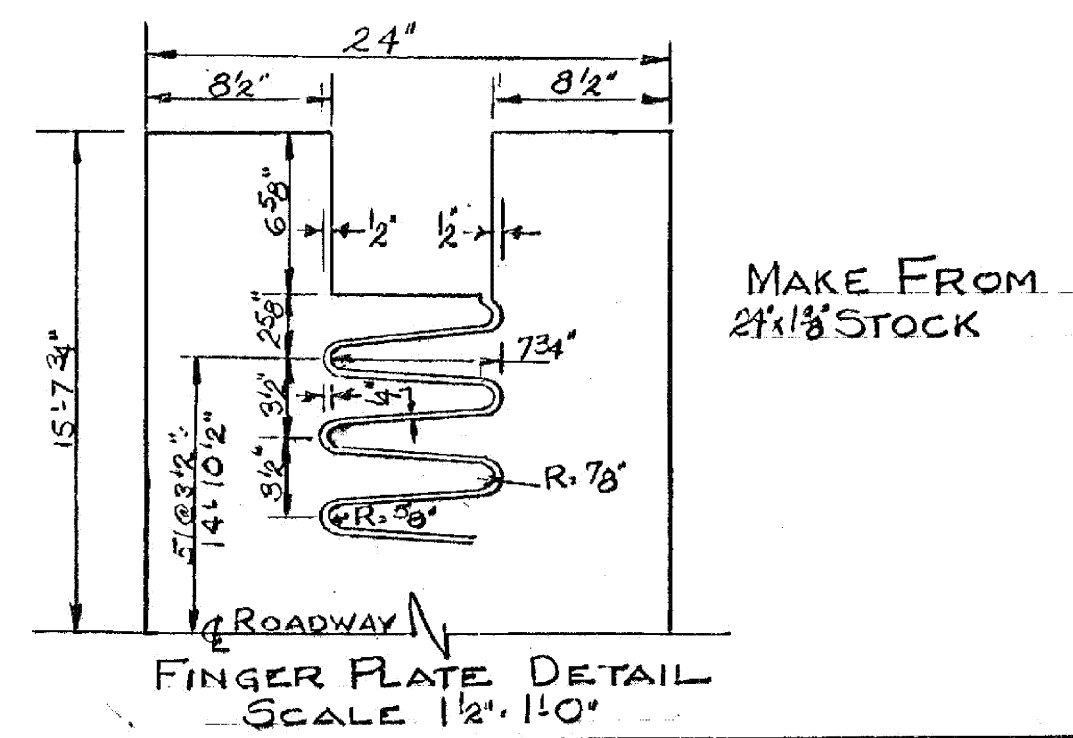
PLAN VIEW - EXPANSION JOINT



SECTION A-A



SECTION B-B



FINGER PLATE DETAIL SCALE 1 1/2" = 1'-0"

RICHMOND-HIGHGATE  
IM MEMB(13)  
  
SHEET 10 OF 29  
BRIDGE 58N  
FOR REFERENCE ONLY

STATE OF VERMONT  
DEPARTMENT OF HIGHWAYS

TOWN OF RICHMOND-WILLISTON  
ROUTE No. I 89 LOG STA.  
DETAILS OF BEARING DEVICES  
EXPANSION DEVICES & DRAIN TROUGHS  
SCALE 1 1/2" = 1'-0" & AS NOTED  
SURVEYED BY  
DRAWN BY E.A.B. CHECKED BY WMS-JEP  
PROJECT No. I-89-2(9)  
SHEET 10 OF 113 CONT #1