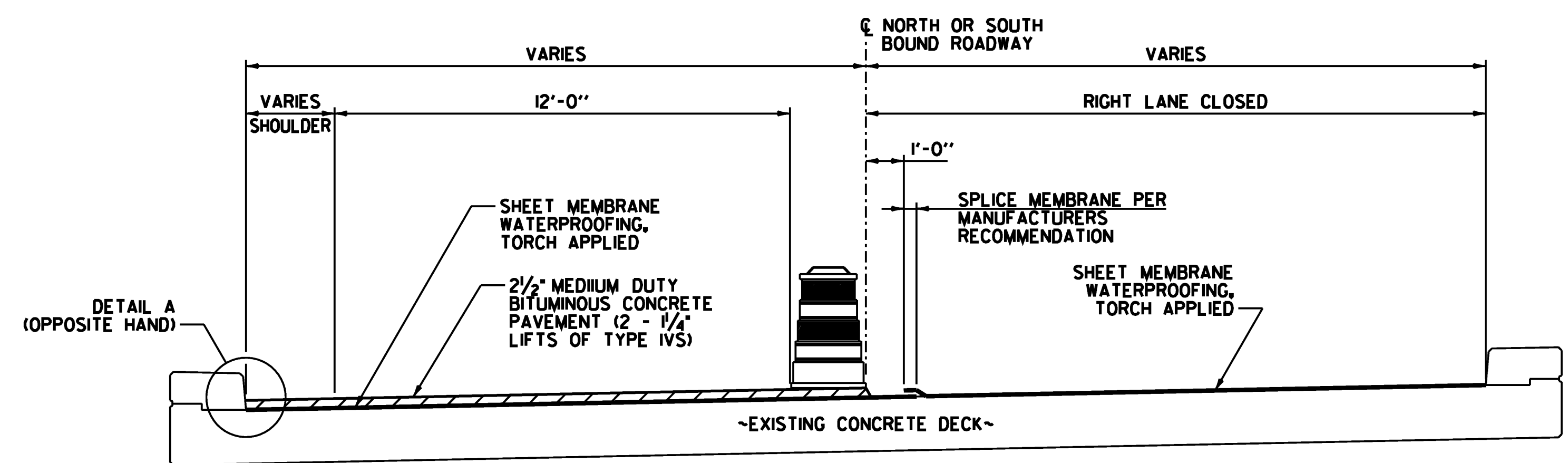


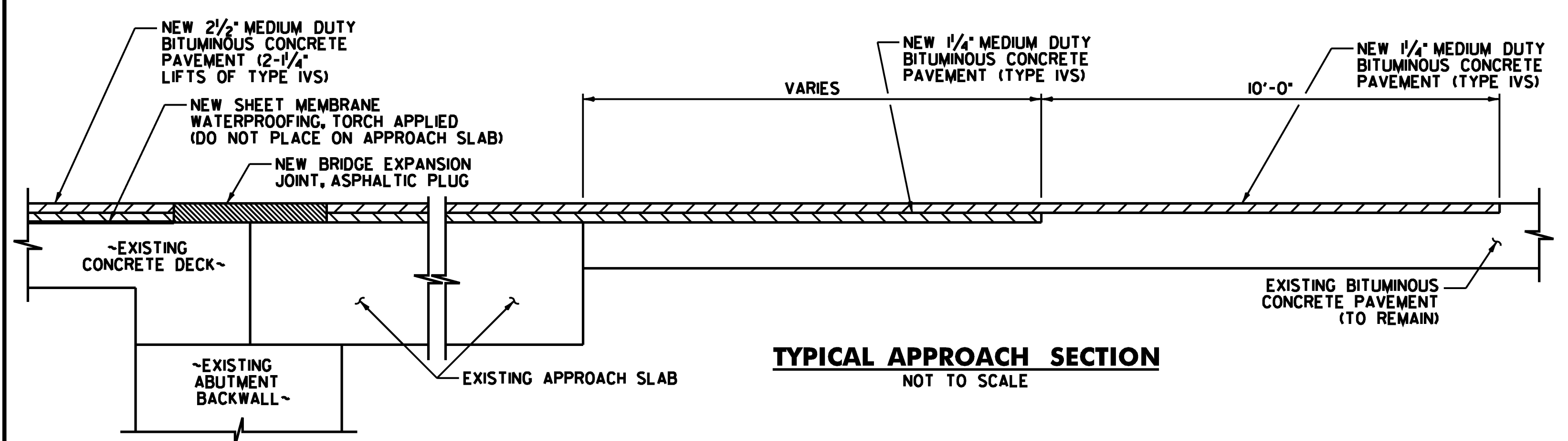
NOTE: LEFT LANE CLOSURE AND LEFT SIDE MEMBRANE SPlice SHOWN, RIGHT LANE CLOSURE AND RIGHT SIDE MEMBRANE SPlice SIMILAR. CONTRACTOR TO DETERMINE WHICH LANE THE MEMBRANE SPlice SHALL OCCUR IN UNLESS THE BRIDGE IS SUPERELEVATED. BRIDGES WITH SUPERELEVATION SHALL HAVE THE MEMBRANE PLACED AS SHOWN ON THE SUPERELEVATED DETAIL.

MEMBRANE SPlice DETAIL - NORMAL CROWN ROADWAY
NOT TO SCALE

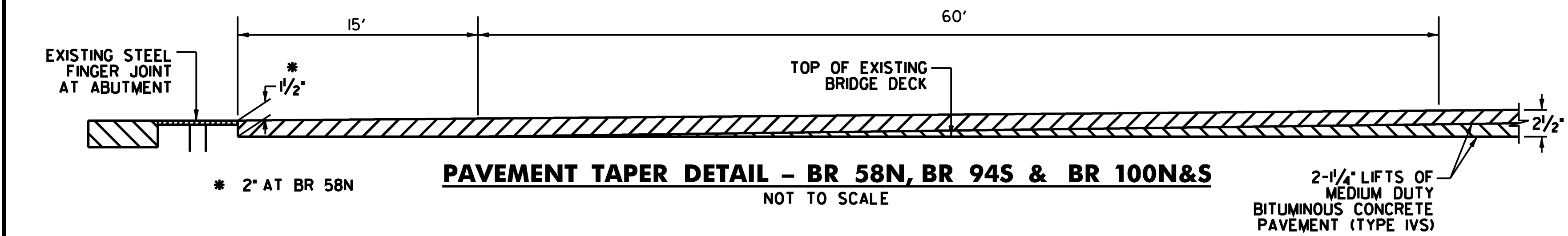


NOTE: RIGHT LANE CLOSURE AND RIGHT SIDE MEMBRANE SPlice SHOWN, LEFT LANE CLOSURE AND LEFT SIDE MEMBRANE SPlice SIMILAR. PLACEMENT OF THE MEMBRANE SHALL START AT THE LOW SIDE OF THE BRIDGE. THE SPlice SHALL BE AS SHOWN ABOVE, WITH THE HIGH SIDE OVERLAPPING THE LOW SIDE.

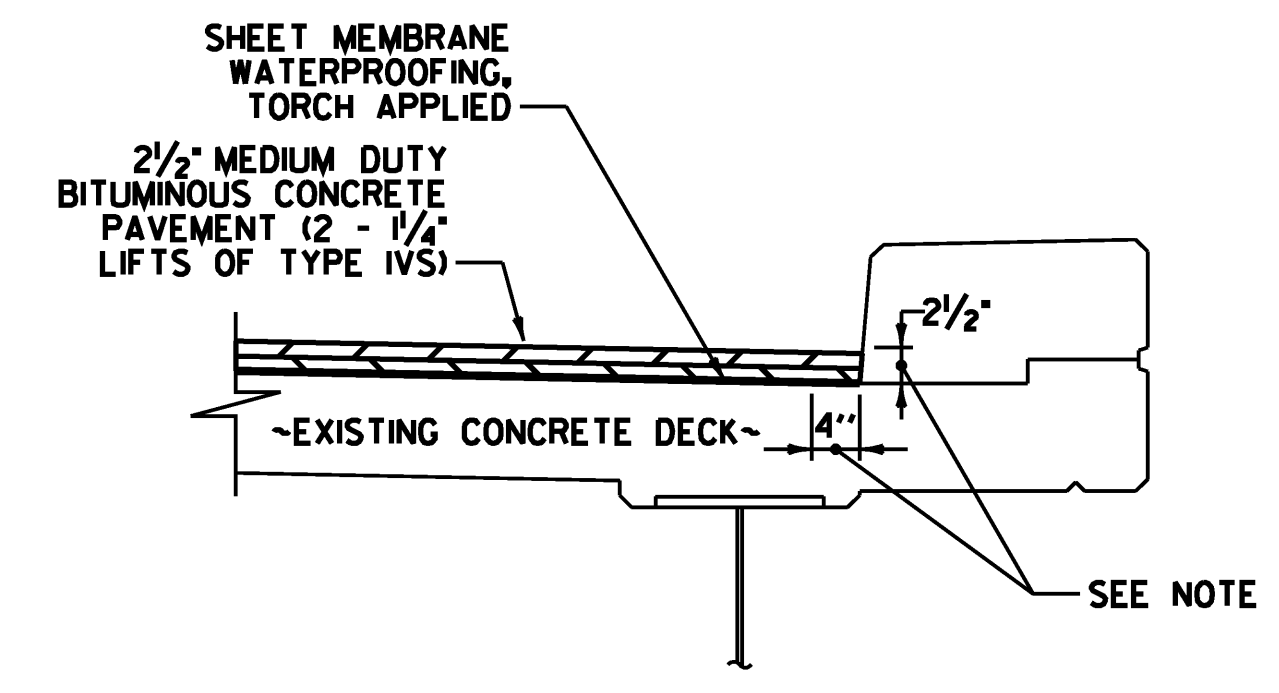
MEMBRANE SPlice DETAIL - SUPERELEVATED ROADWAY
NOT TO SCALE



TYPICAL APPROACH SECTION
NOT TO SCALE



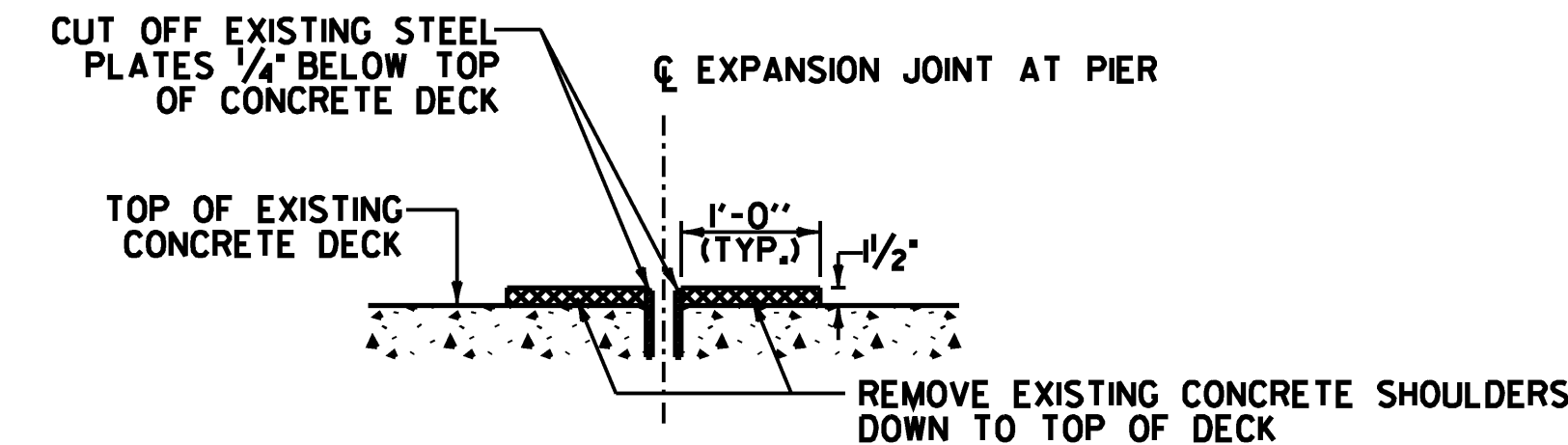
PAVEMENT TAPER DETAIL - BR 58N, BR 94S & BR 100N&S
NOT TO SCALE



DETAIL A
NOT TO SCALE

- DETAIL A NOTES:**
- INDICATES AREA ALONG DECK AND UP FACE OF CURB FOR PLACEMENT OF TWO COATS OF POLYURETHANE MEMBRANE.
 - POLYURETHANE MEMBRANE AND BLAST CLEANING SHALL BE INCLUDED IN THE UNIT PRICE BID FOR SHEET MEMBRANE WATERPROOFING, TORCH APPLIED.
 - SHEET MEMBRANE WATERPROOFING SHALL EXTEND TO FACE OF CURB AS SHOWN.
 - IN ADDITION TO THE REQUIREMENTS OF SUBSECTION 519.04, BLAST CLEAN 2 1/2" UP THE FACE OF CURB PRIOR TO PLACING THE MEMBRANE.
 - REMOVE EXISTING CONCRETE SHOULDER, APPROXIMATELY 1 1/2" HIGH BY 1'-6" WIDE, LOCATED ON THE EAST SIDE OF BRIDGE BR 98S, PRIOR TO INSTALLING MEMBRANE. PAYMENT WILL BE MADE UNDER ITEM 529.26 "REMOVAL OF CONCRETE OR MASONRY".

NOTE: FOR PG BINDER GRADE SEE SECTION 406 OF THE GENERAL SPECIAL PROVISIONS.



- NOTE:**
- DETAIL TYPICAL FOR JOINTS OVER PIERS AT BRIDGE BR 86N.
 - STEEL PLATE AND CONCRETE REMOVAL WORK WILL BE PAID FOR UNDER ITEM 900.640 SPECIAL PROVISION (PARTIAL REMOVAL AND MODIFICATION OF PIER JOINT).
 - INSTALL NEW EXPANSION JOINT, ASPHALTIC PLUG TYPE, AT MODIFIED JOINT LOCATIONS.

METAL PLATE JOINT MODIFICATION DETAIL - BR 86N
NOT TO SCALE

BRIDGE LENGTH AND WIDTH (CURB TO CURB)		
	WIDTH (CURB TO CURB) (FEET)	LENGTH (FEET)
58 NORTH	30.0	558
86 NORTH	30.0	752
94 SOUTH	38.0	116
98 SOUTH	30.0	162
100 NORTH	30.0	297
100 SOUTH	30.0	297

ASPHALTIC PLUG JOINT REPLACEMENT SCHEDULE									
BRIDGE NO.	ABUT. 1	PIER 1	PIER 2	PIER 3	PIER 4	PIER 5	PIER 6	PIER 7	ABUT. 2
58 NORTH	--	--	--	--	--	--	--	--	--
86 NORTH	30.0 LF	30.0 LF	30.0 LF	30.0 LF	30.0 LF	30.0 LF	30.0 LF	30.0 LF	30.0 LF
94 SOUTH	--	--	--	--	--	--	--	--	38.0 LF
98 SOUTH	30.0 LF	30.0 LF	30.0 LF	--	--	--	--	--	30.0 LF
100 NORTH	30.0 LF	30.0 LF	30.0 LF	--	--	--	--	--	--
100 SOUTH	30.0 LF	30.0 LF	30.0 LF	--	--	--	--	--	--

PROJECT NAME: RICHMOND - HIGHGATE
 PROJECT NUMBER: IM MEMB (13)
 FILE NAME: ...drawing\007-Bit Conc Dets.dwg
 PROJECT LEADER: G. BOGUE
 DESIGNED BY: M. CHENETTE
 BITUMINOUS CONCRETE DETAILS
 DRAWN BY: E. ALLING
 CHECKED BY: M. CHENETTE
 SHEET 7 OF 29
 DATE: 2/26/2009

