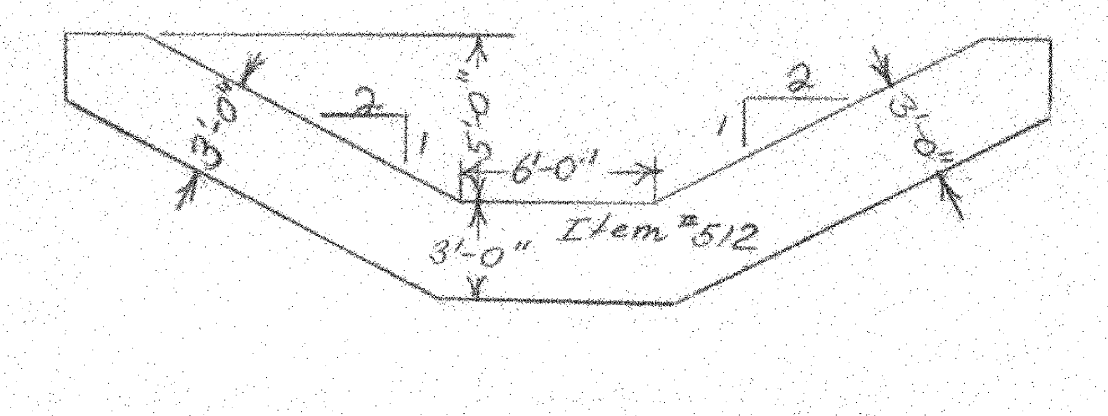
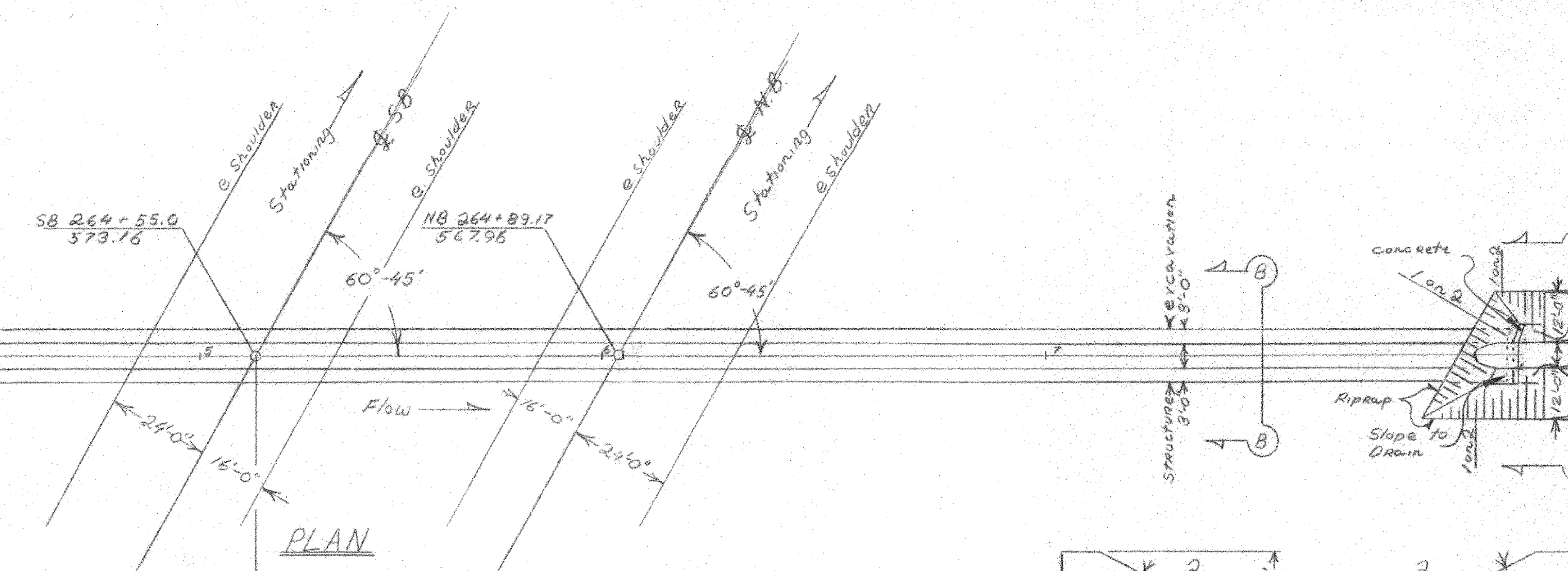
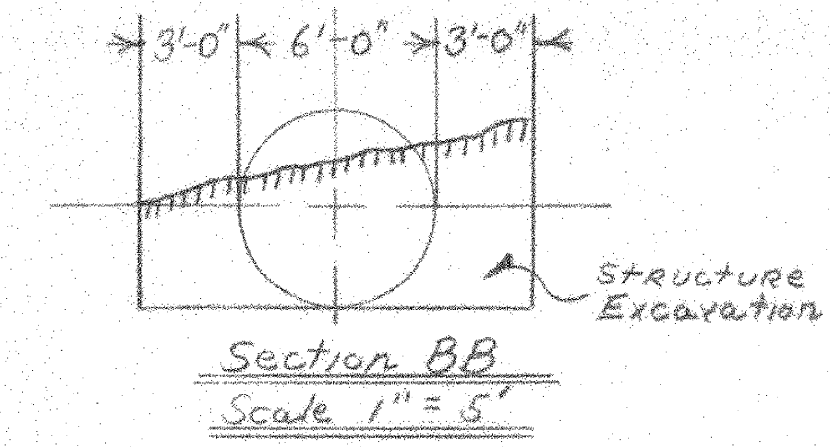
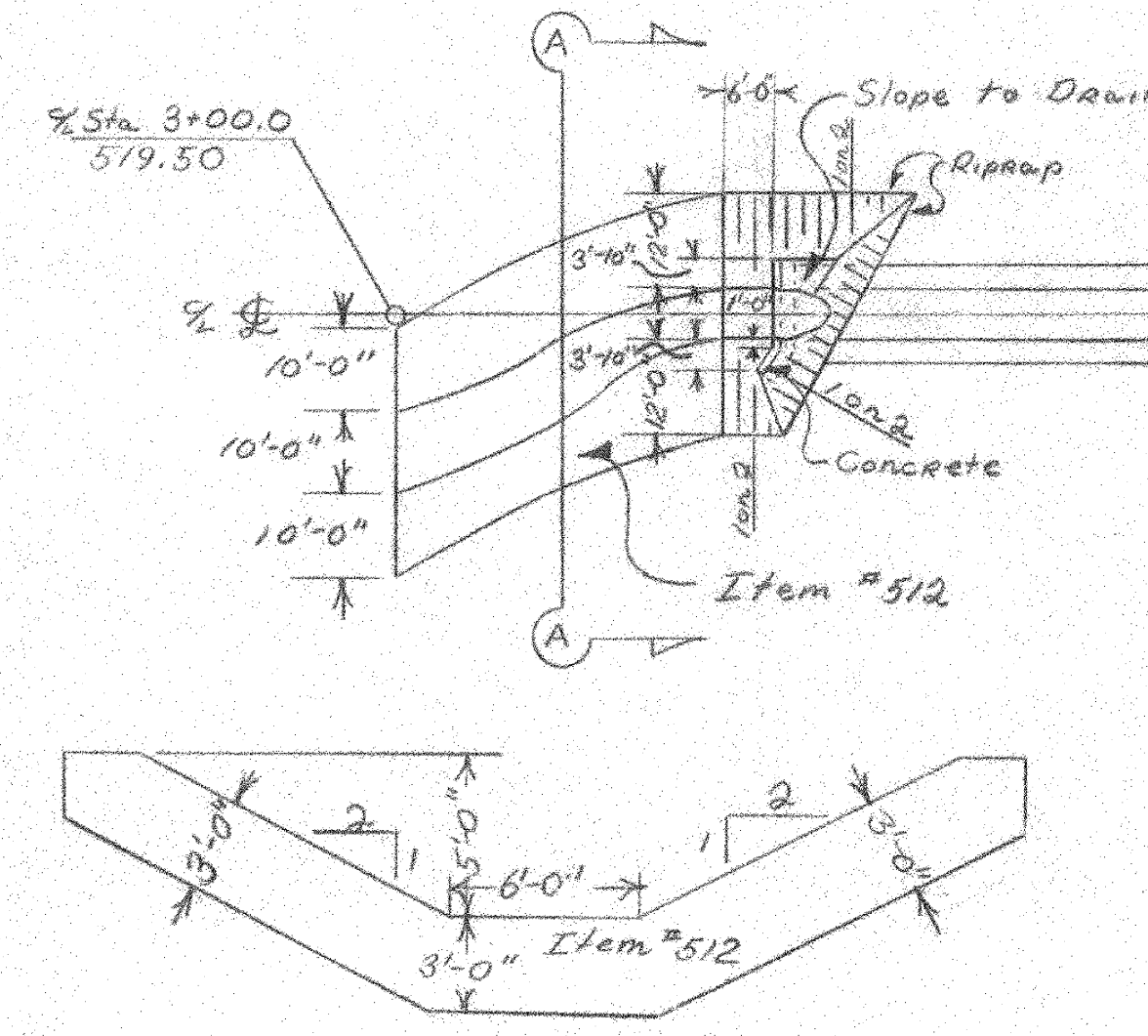


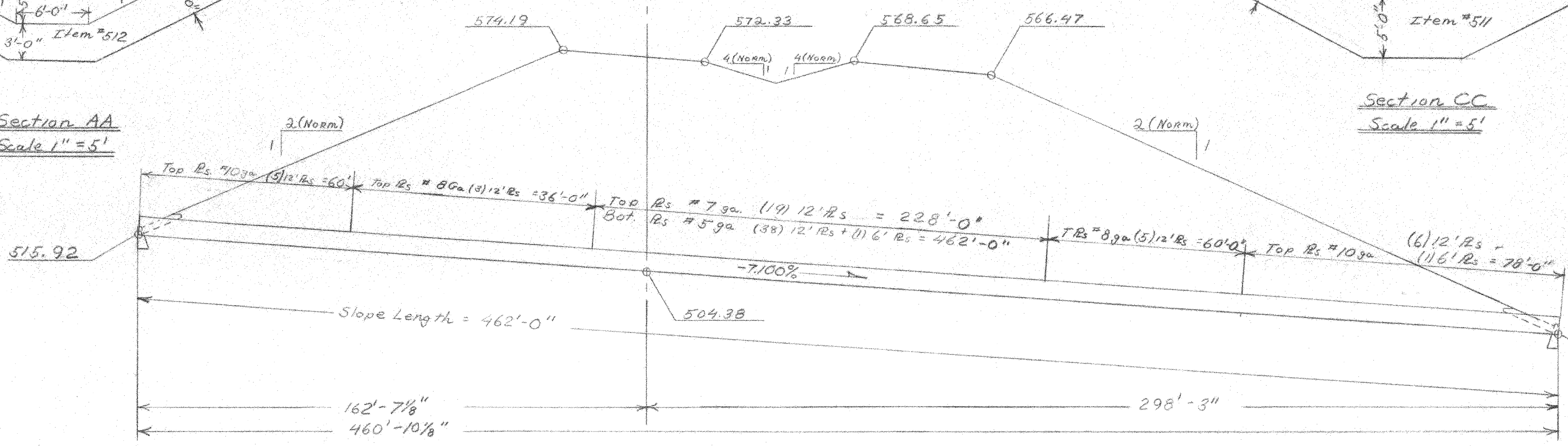
**Notes**

Pipe = 72"  
 Pipe begins 1/4 Sta 3+50  
 Pipe ends 1/4 Sta 8+11  
 Item #512 begins 1/4 Sta 3+00  
 Item #511 ends 1/4 Sta 8+50



**Section AA**  
Scale 1" = 5'

**Section CC**  
Scale 1" = 5'



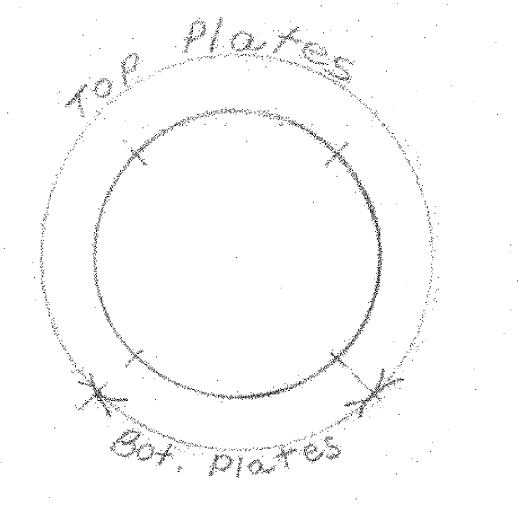
**Notes**

Dia. of Pipe 72"  
 O.A. Length 462'-0"  
 Hor. Length 460'-10 1/8"  
 Gage Top Rs #10 #8 #7  
 Gage Bot Rs #5  
 Camber 0  
 Waterway 28'  
 Wt. per ft { 138' @ 187 #/ft  
 96' @ 211 #/ft  
 228' @ 223 #/ft  
 Total Weight 96,906 lbs

**HARTFORD - SHARON**  
IM 089-1(55)  
189 - BR. NO. 9-1  
SHEET 14 of 20  
FOR REFERENCE ONLY

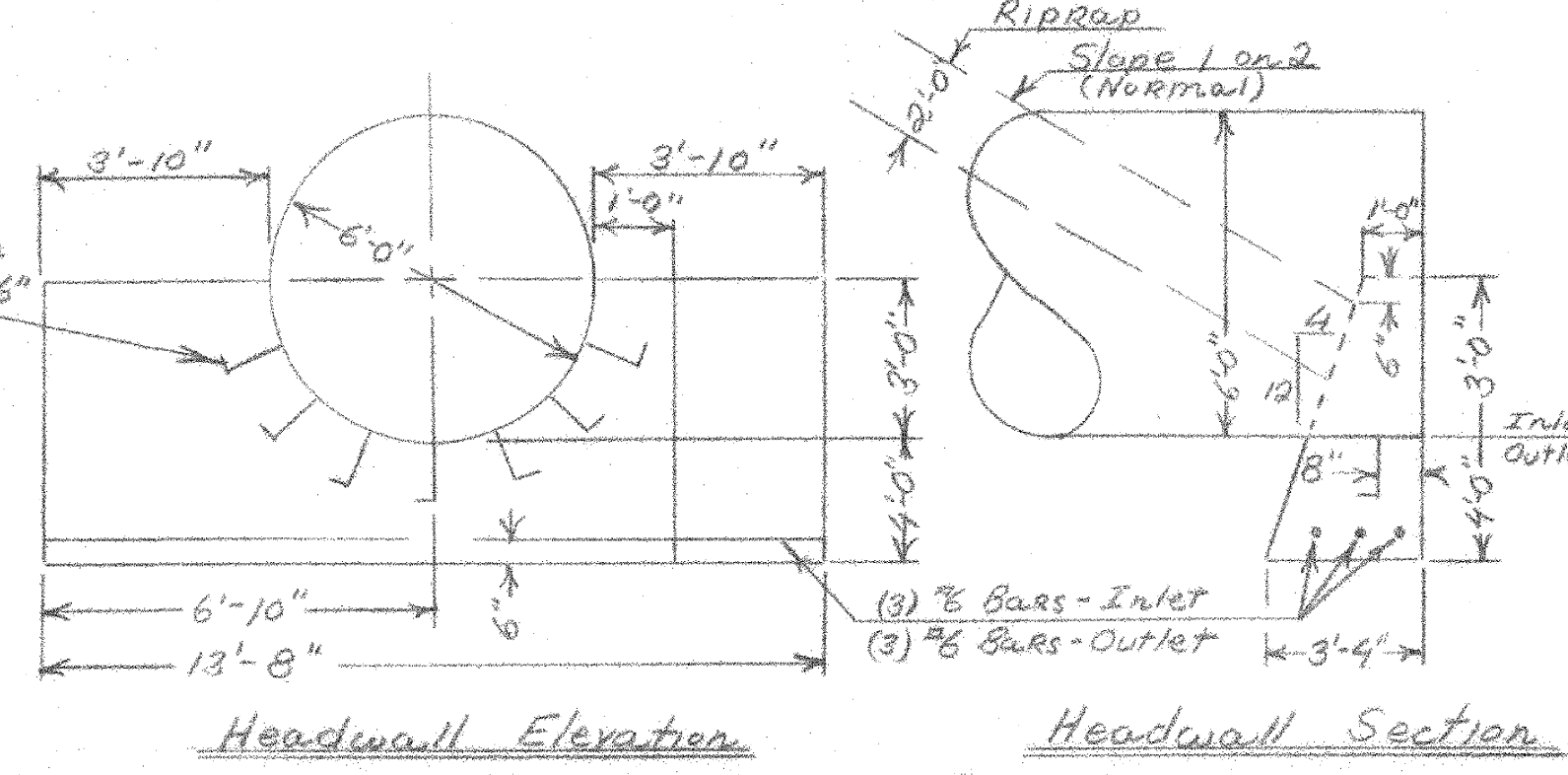
| Reinforcing Steel |      |        |      |      |            |
|-------------------|------|--------|------|------|------------|
| No Pieces         | Size | Length | Mark | Type | Location   |
| 3                 | 6    | 14'-0" | 601  | STR  | Upstream   |
| 3                 | 6    | 14'-0" | 602  | STR  | Downstream |

Stage I Construction



**Plate Arrangement**  
Not to Scale

One row 3/4" # Galv. 1"-6" Min Hook Bolts, spaced approx 1'-6" to be furnished with and included in cost of Plate Pipe



**Headwall Elevation**  
**Headwall Section**  
Not to Scale

| ITEM NO. | ITEM   | UNIT | NET | TOTAL | FINAL |
|----------|--|------|-----|-------|-------|
|          | CHAR. EXCAV. OF EARTH  | C.Y. |     |       | AB    |
|          | CHAR. EXCAV. OF ROCK   | C.Y. |     |       |       |
| 108C     | UNCLASS. CHAR. EXCAV.  | C.Y. |     | 860   | 567   |
| 109      | STRUCT. EXCAV.   | C.Y. |     | 1940  | 1722  |
|          | CONC. CLASS B (MOD.)   | C.Y. |     |       |       |
| 401B     | CONC. CLASS B (MOD.)   | C.Y. |     | 15    | 15    |
|          | REIN. STEEL  | lbs. |     | 127   | 127   |
| 429A     | Corrugated Galvanized Metal Plate Pipe (Top Rs #10 #8 #7, Bot Rs #5 ga. wt. 96,906/lb) | L.S. |     | 1     | 1     |
| 511      | Stone Fill for Slope Protection (Heavy Type)   | C.Y. |     | 290   | 7     |
| 512      | Stone fill for Slope Protection (Light Type)   | C.Y. |     | 185   | 182   |
| 513A     | Riprap (Heavy Type)  | C.Y. |     | 70    | 69    |

**STATE OF VERMONT**  
DEPARTMENT OF HIGHWAYS

TOWN OF HARTFORD

ROUTE NO. 189 LOG STA. 72" CGMRP @ SB Sta 264+55.0

Top Rs #10 #8 #7, Bot Rs #5 ga. wt. 96,906/lb

SCALE Not to Scale

SURVEYED BY MORRIS

DRAWN BY L.L. CHECKED BY G.E.H.

PROJECT NO. 189-1(5) Cont #

SHEET 82 OF 269