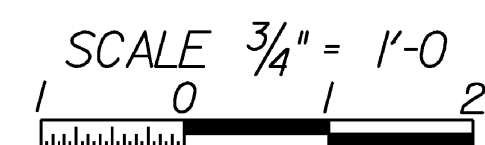
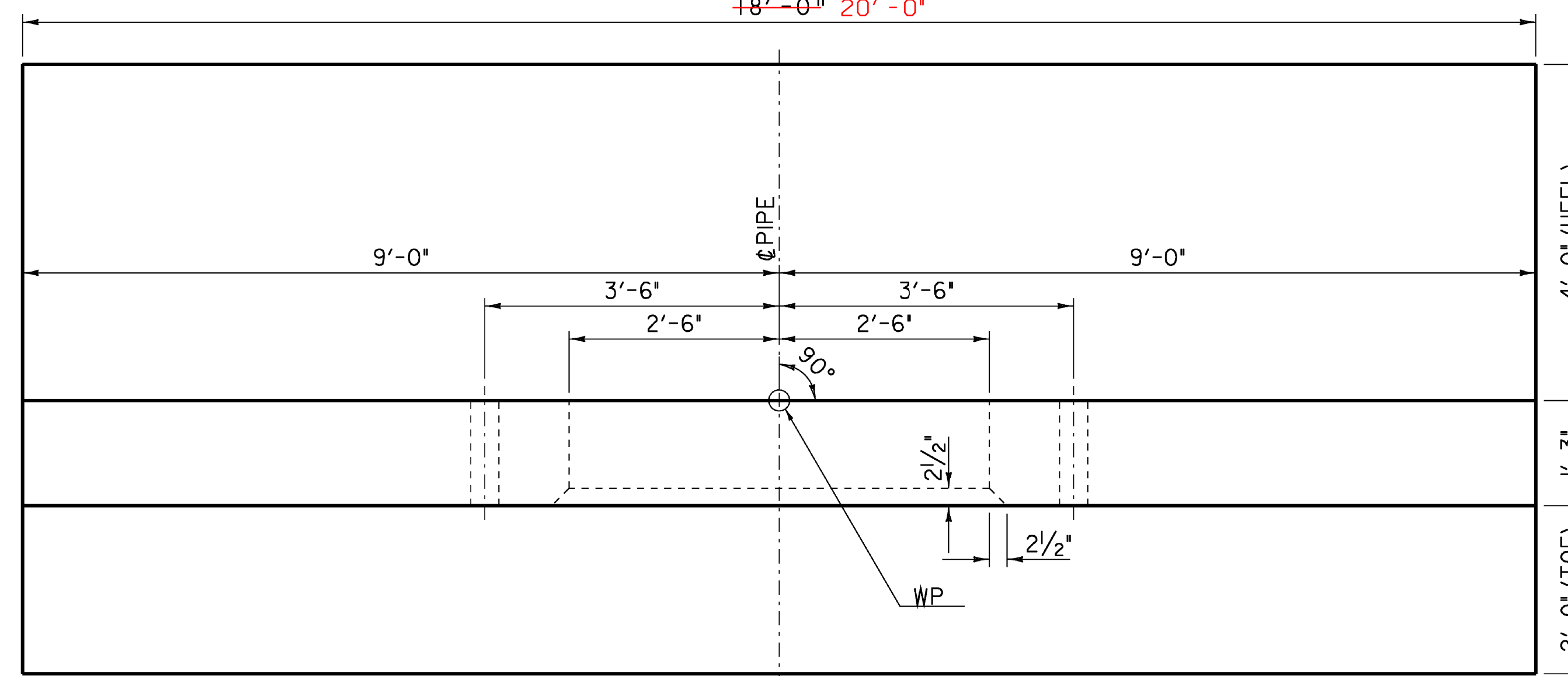


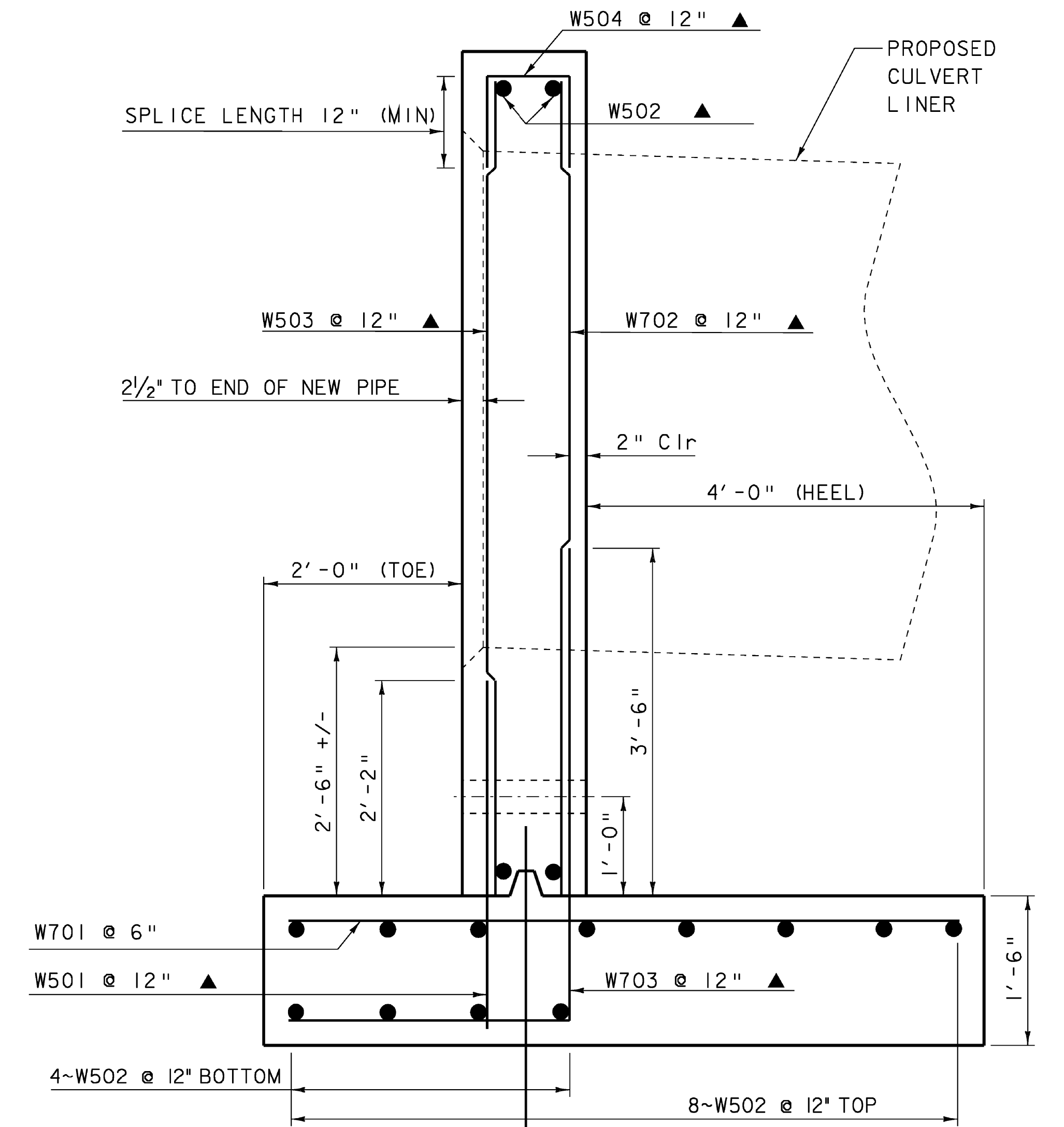
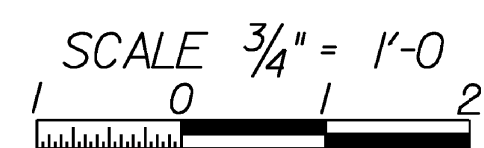
HEADWALL ELEVATION



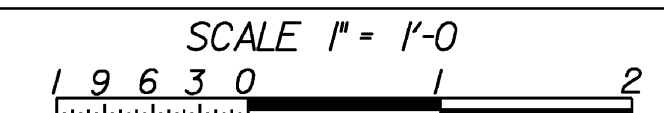
ALL HEADWALLS ARE BUILT AS 20' - 0" IN LENGTH



HEADWALL PLAN

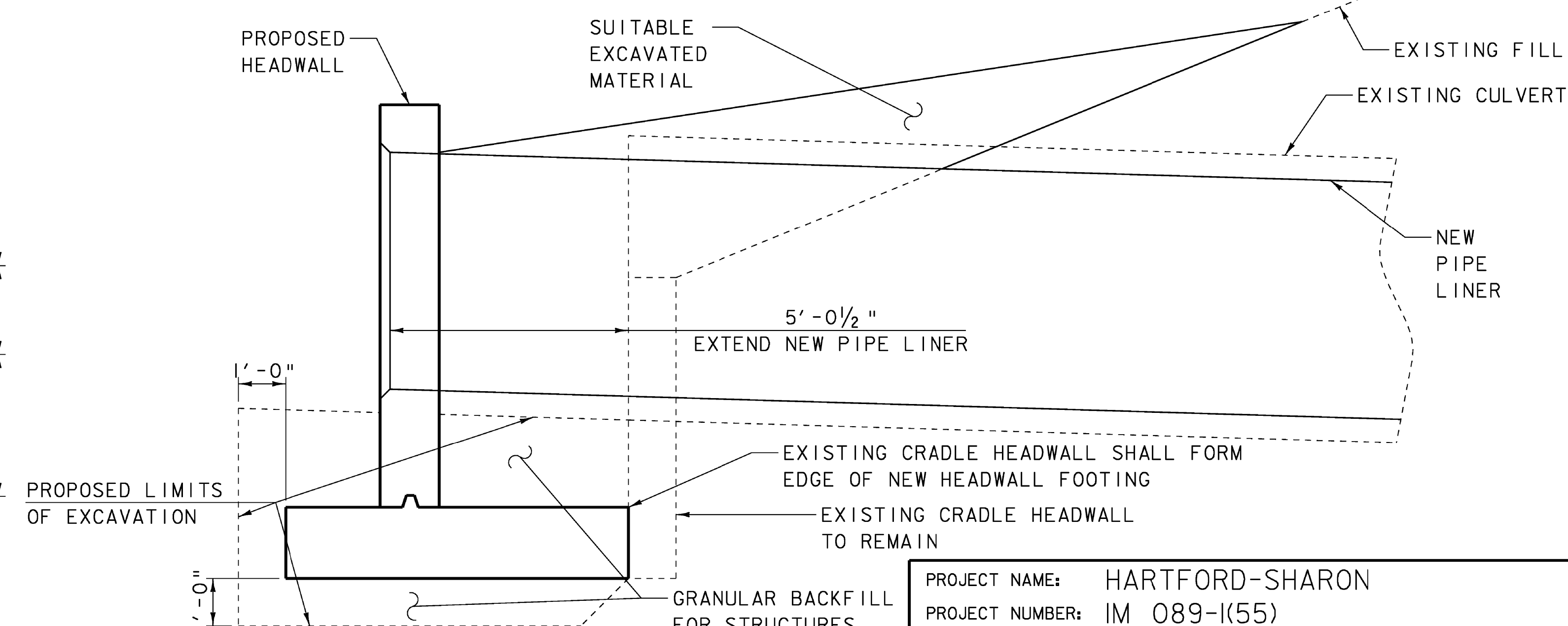


HEADWALL SECTION

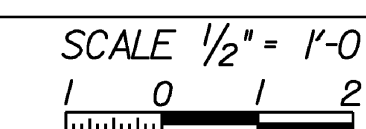


NOTE:

NF = NEAR FACE
 FF = FAR FACE
 EF = EACH FACE
 ▲ = CUT TO FIT IN FIELD
 3" CLR. UNLESS OTHERWISE SPECIFIED ON THE PLANS.



EXISTING / PROPOSED HEADWALL SECTION



PROJECT NAME: HARTFORD-SHARON	PLOT DATE: 15-JAN-2009
PROJECT NUMBER: IM 089-(155)	DRAWN BY: R. H. BARNES
FILE NAME: z08a056det.dgn	CHECKED BY: E. P. DETRICK
PROJECT LEADER: E. P. DETRICK	SHEET 11 OF 20
DESIGNED BY: A. P. GUYETTE	
HEADWALL DETAIL SHEET	