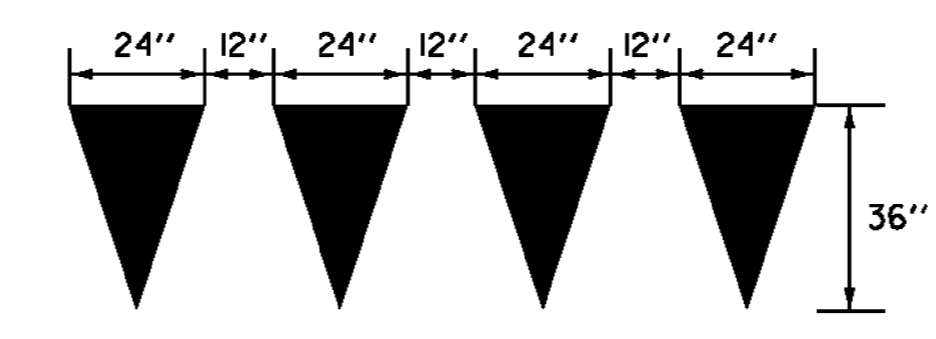
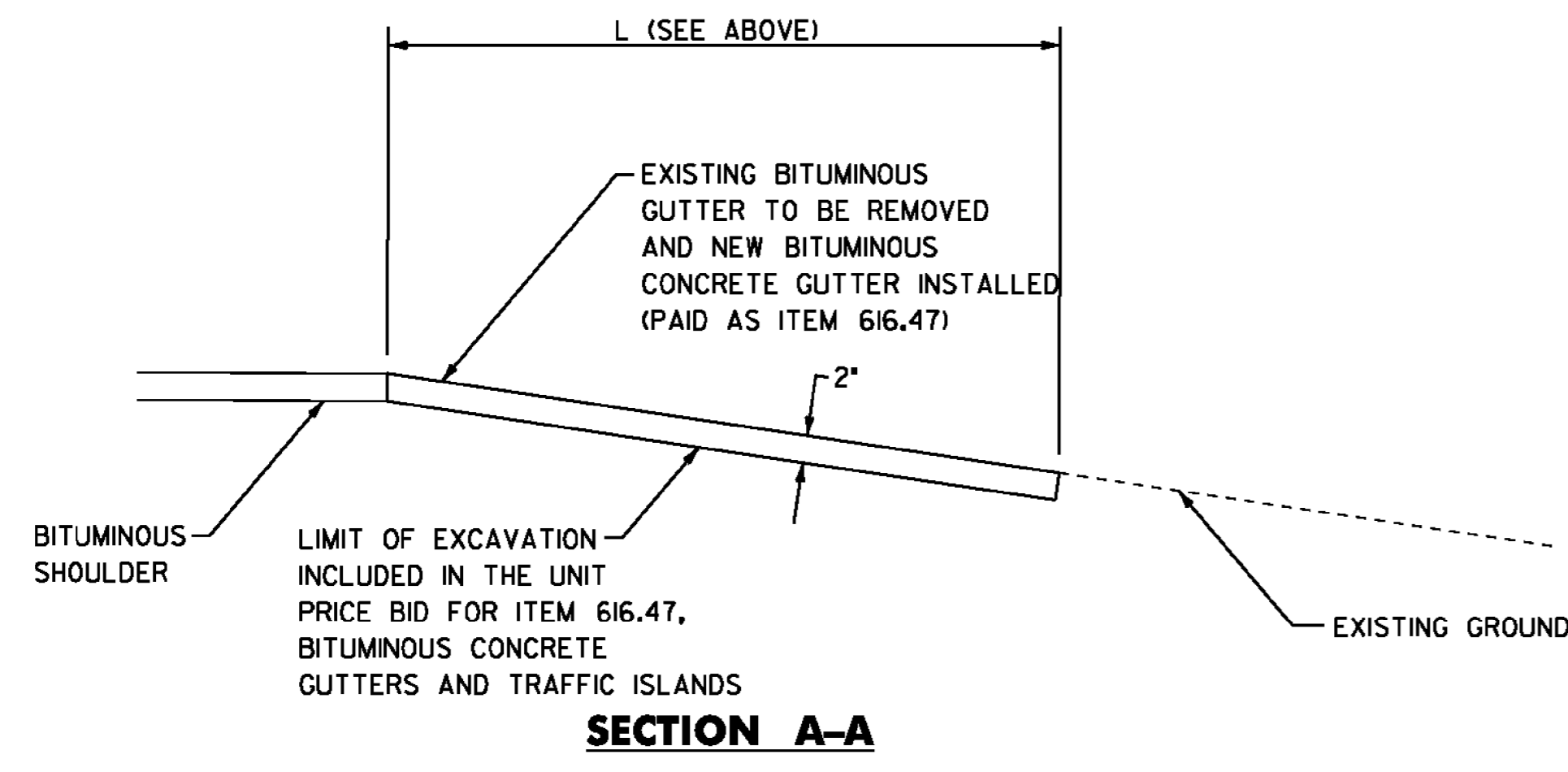


BITUMINOUS GUTTER DETAIL

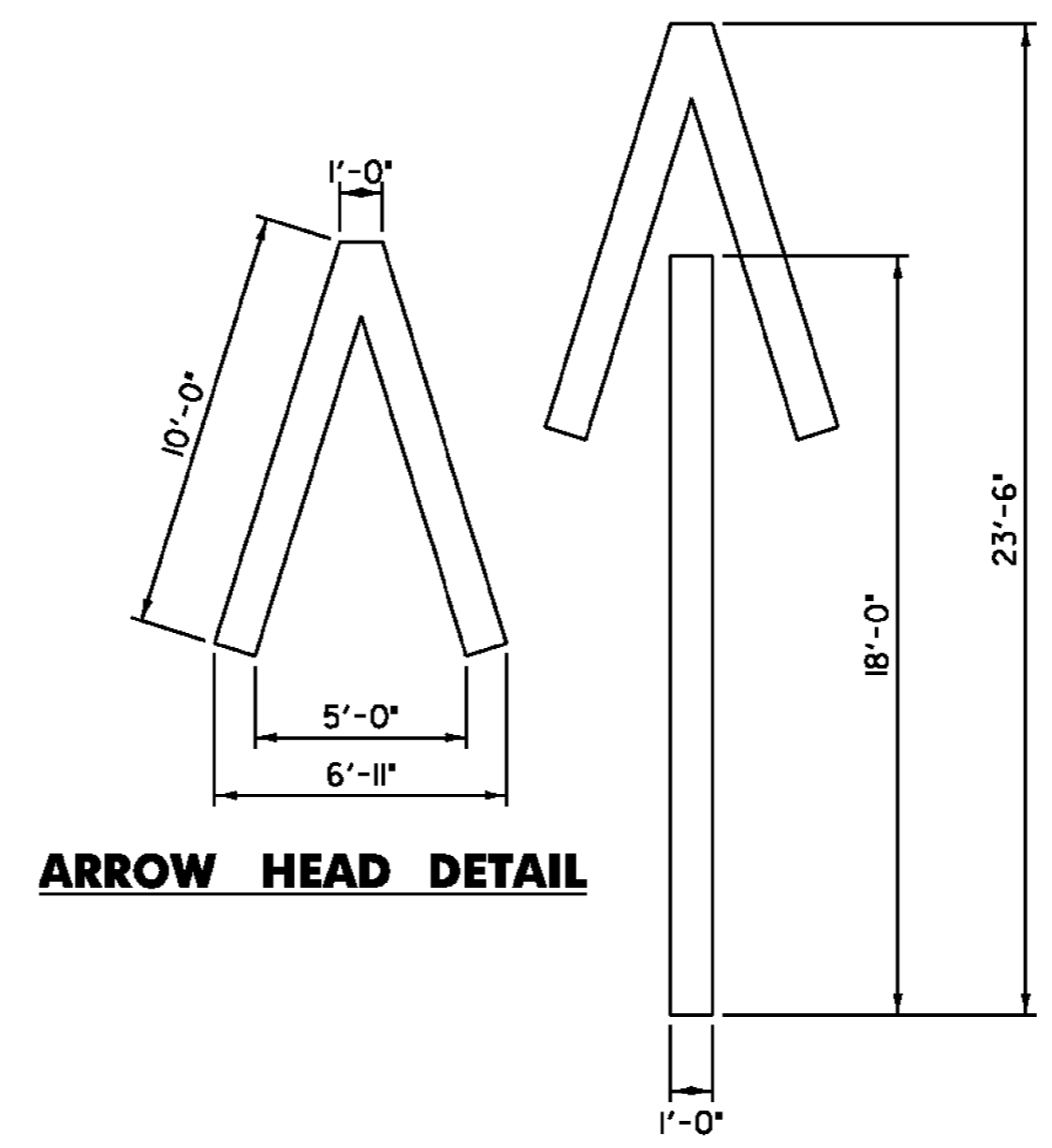
DIMENSIONS = (L x W)
 FOR ADDITIONAL DETAILS, SEE
 VAOT STANDARD D-3

EXIT 26 RAMP B STA. 5+30, RT (20' X 4')
 EXIT 26 RAMP B STA. 6+93, RT (20' X 4')
 EXIT 26 RAMP B STA. 9+66, RT (20' X 5')
 EXIT 26 RAMP C STA. 5+72, RT (20' X 4')
 EXIT 26 RAMP C STA. 7+84, RT (20' X 4')
 EXIT 26 RAMP C STA. 10+16, RT (20' X 5')
 EXIT 26 RAMP C STA. 10+77, RT (20' X 4')



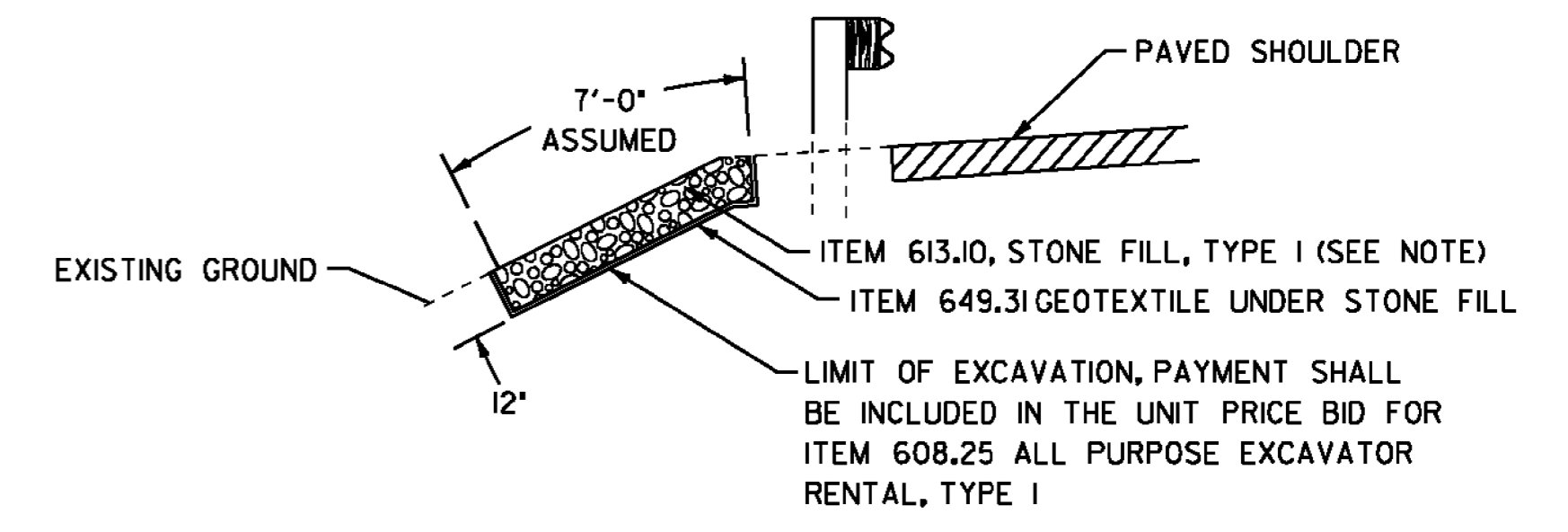
YIELD LINE DETAIL

TO BE INSTALLED ONLY AT THE
 DIRECTION OF THE RESIDENT ENGINEER
 TO BE PAID AS ONE DURABLE LETTER OR
 SYMBOL, POLYUREA, PER TRIANGLE



ARROW HEAD DETAIL

WRONG WAY ARROW



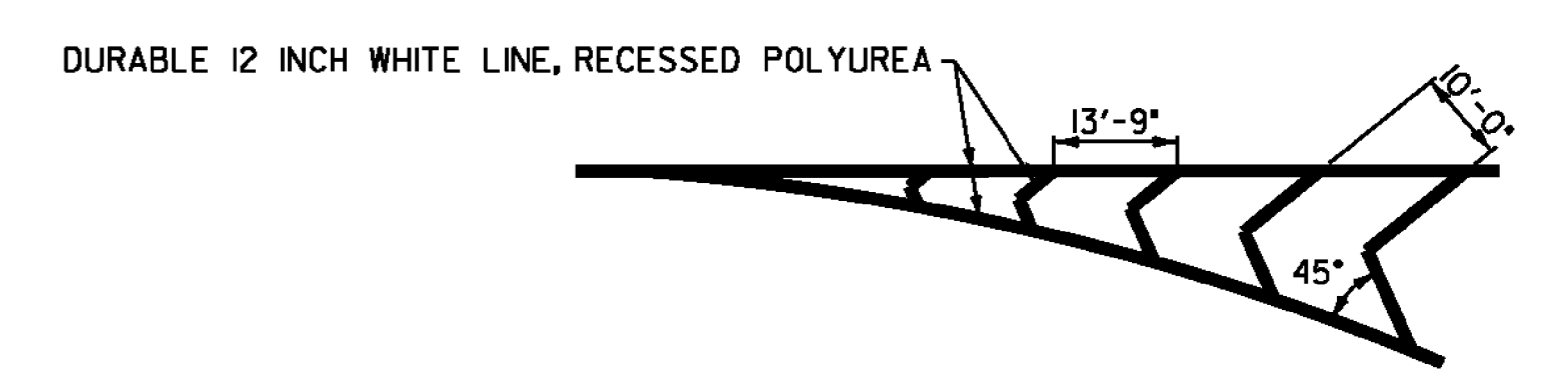
SLOPE EROSION REPAIR DETAIL

(ASSUME A 7' WIDTH X 6' LENGTH UNLESS OTHERWISE NOTED)

- NORTHBOUND
- ~~MM 157.41, RT~~
- ~~MM 159.267 - 159.270, RT (18')~~
- MM 160.929, RT
- MM 161.032, RT
- ~~MM 156.380 RT~~
- SOUTHBOUND
- MM 156.104 - 156.106, LT (15')
- ~~MM 160.259, RT~~
- ~~MM 160.274, LT~~
- ~~MM 160.338, RT~~
- ~~MM 160.357, RT~~
- ~~MM 160.362, RT~~
- MM 160.367, RT 160.370 LT & RT
- ~~MM 161.049, RT~~
- ~~MM 161.057, RT~~
- EXIT 25 RAMP D
- ~~MM 0.059, RT~~
- 0.080 RT

NOTE:

AN ESTIMATED QUANTITY OF ITEM 613.11 STONE FILL, TYPE II HAS
 BEEN INCLUDED FOR USE AS DIRECTED BY THE RESIDENT ENGINEER.



GORE MARKING DETAIL

SEE LAYOUT SHEETS FOR LOCATIONS

MISCELLANEOUS DETAIL SHEET	NOT TO SCALE		
	PROJECT NAME:	BARTON-IRASBURG	
	PROJECT NUMBER:	IM 091-3(48)	
	FILE NAME:	p07a286.dgn	
PROJECT LEADER:	JLL	PLOT DATE:	06-JUL-2011
DESIGNED BY:	STANTEC	DRAWN BY:	STANTEC
IPARM FILE:	p07a286md.i	CHECKED BY:	STANTEC
		SHEET	38 OF 40

