

646.426 DURABLE 6 INCH WHITE LINE, RECESSED POLYUREA
 STA. C6+00 TO C10+00, SOLID RT

646.436 DURABLE 6 INCH YELLOW LINE, RECESSED POLYUREA
 STA. C7+29 TO C10+00, SOLID LT

646.466 DURABLE 12 INCH WHITE LINE, RECESSED POLYUREA
 RAMP C GORE - TO BE INSTALLED PER
 THE LATEST EDITION OF THE MUTCD
 STA. C6+00 TP C7+29 LT

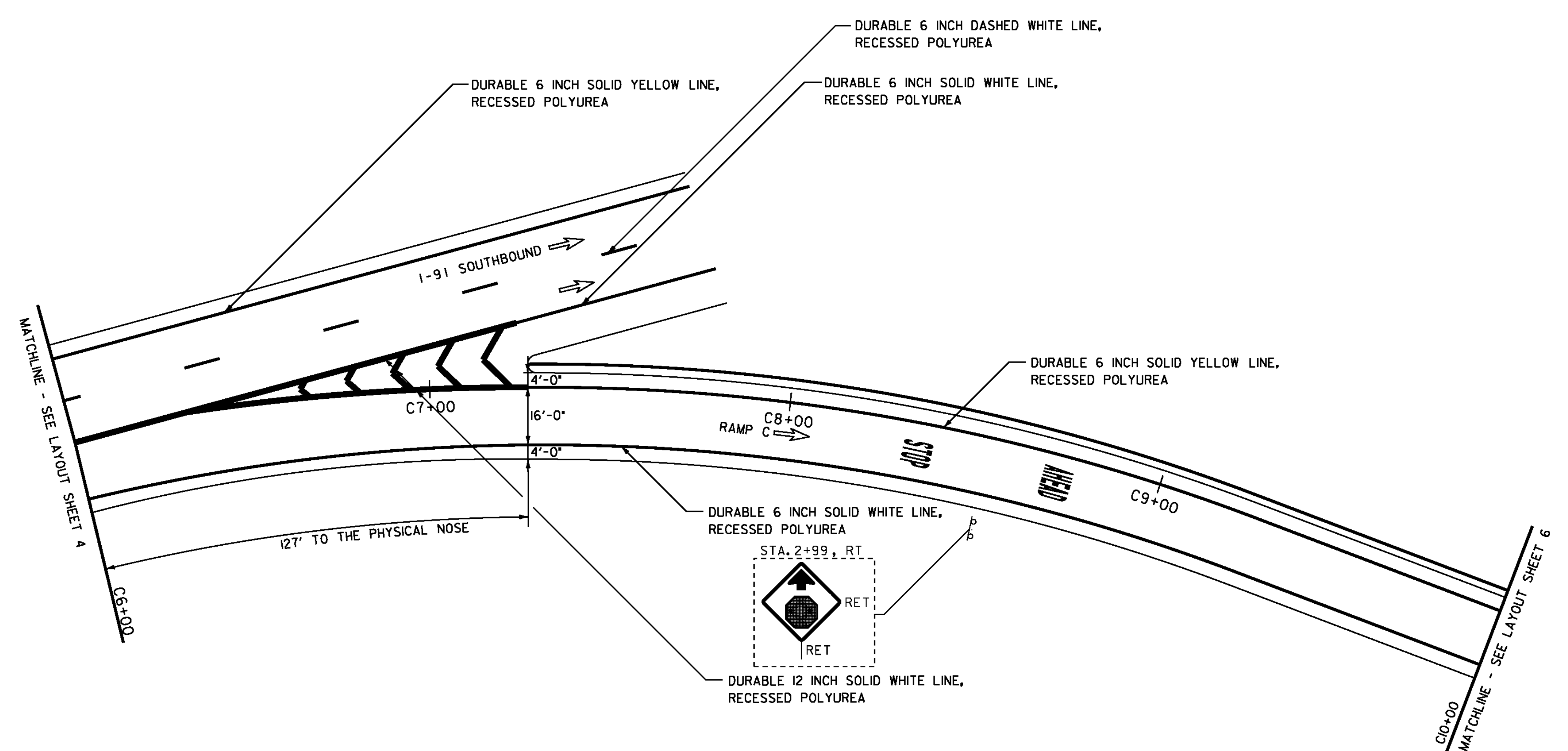
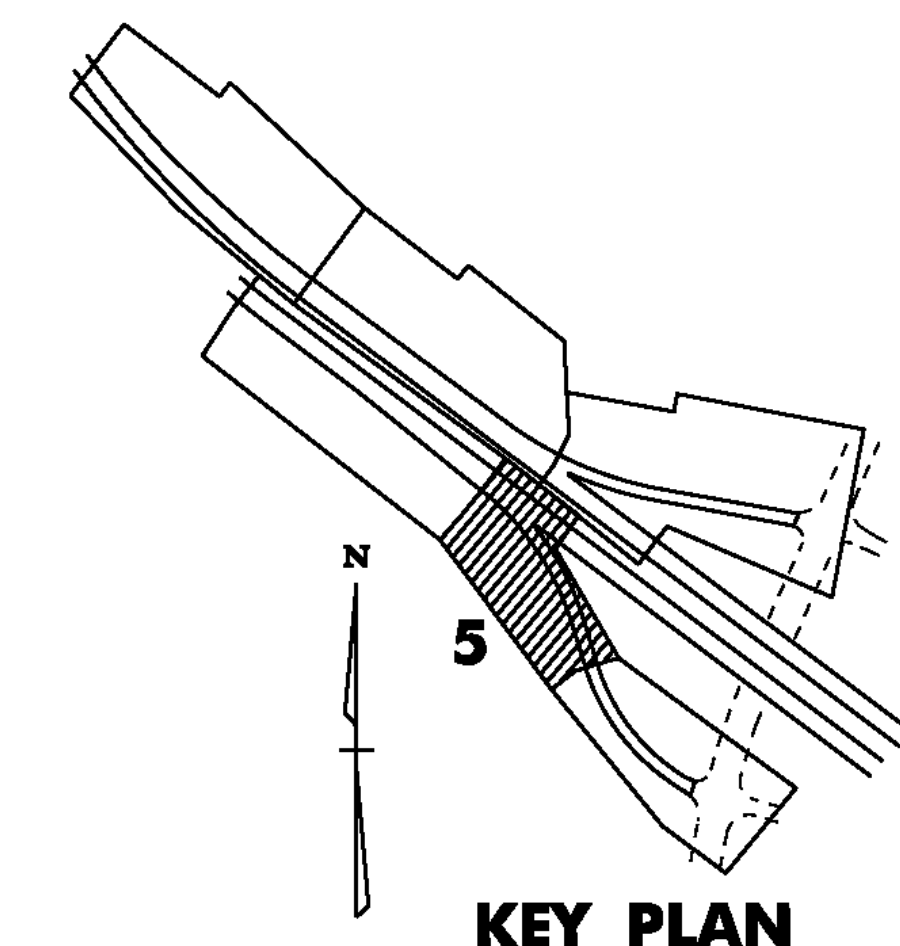
646.494 DURABLE LETTER OR SYMBOL, POLYUREA
 STA. C8+40, RT - "STOP"
 STA. C8+80, RT - "AHEAD"

646.622 TEMPORARY 6 INCH WHITE LINE, PAINT
 STA. C6+00 TO C10+00, SOLID RT

646.632 TEMPORARY 6 INCH YELLOW LINE, PAINT
 STA. C7+29 TO C10+00, SOLID LT

646.662 TEMPORARY 12 INCH WHITE LINE, PAINT
 RAMP C GORE - TO BE INSTALLED PER
 THE LATEST EDITION OF THE MUTCD
 STA. C6+00 TP C7+29 LT

646.692 TEMPORARY LETTER OR SYMBOL, PAINT
 STA. C8+40, RT - "STOP"
 STA. C8+80, RT - "AHEAD"



UTILITY LEGEND	
	= EXISTING DI
	= EXISTING SIGN POST
	= EXISTING GUARDRAIL
	= EXISTING CULVERT

SIGN LEGEND	
N	= NEW
R	= REMOVE
R&S	= REMOVE & SALVAGE
S	= SALVAGE SIGN
RET	= RETAIN
B-B	= BACK TO BACK

NOT TO SCALE

INTERCHANGE 25 LAYOUT SHEET #5

NOTE: ALL EXISTING SIGNS NOT SHOWN SHALL BE RETAINED.

PROJECT NAME: BARTON-IRASBURG	PLOT DATE: 08-JUL-2011
PROJECT NUMBER: IM 091-3(48)	DRAWN BY: STANTEC
FILE NAME: p07a286.dgn	CHECKED BY: STANTEC
DESIGNED BY: STANTEC	SHEET 20 OF 40
IPARM FILE: p07a286105.i	

