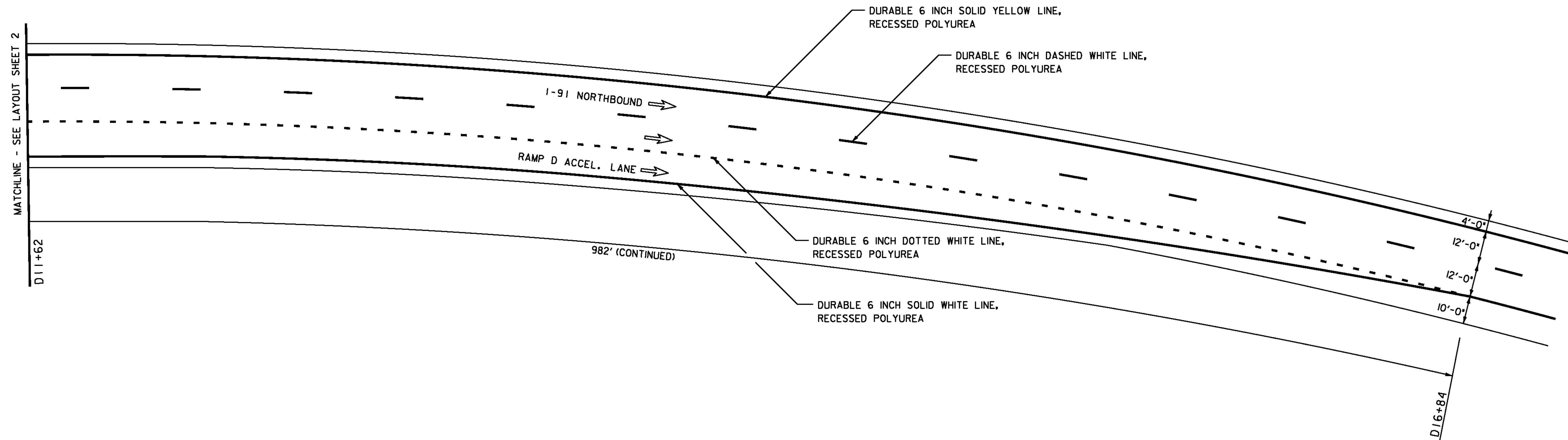
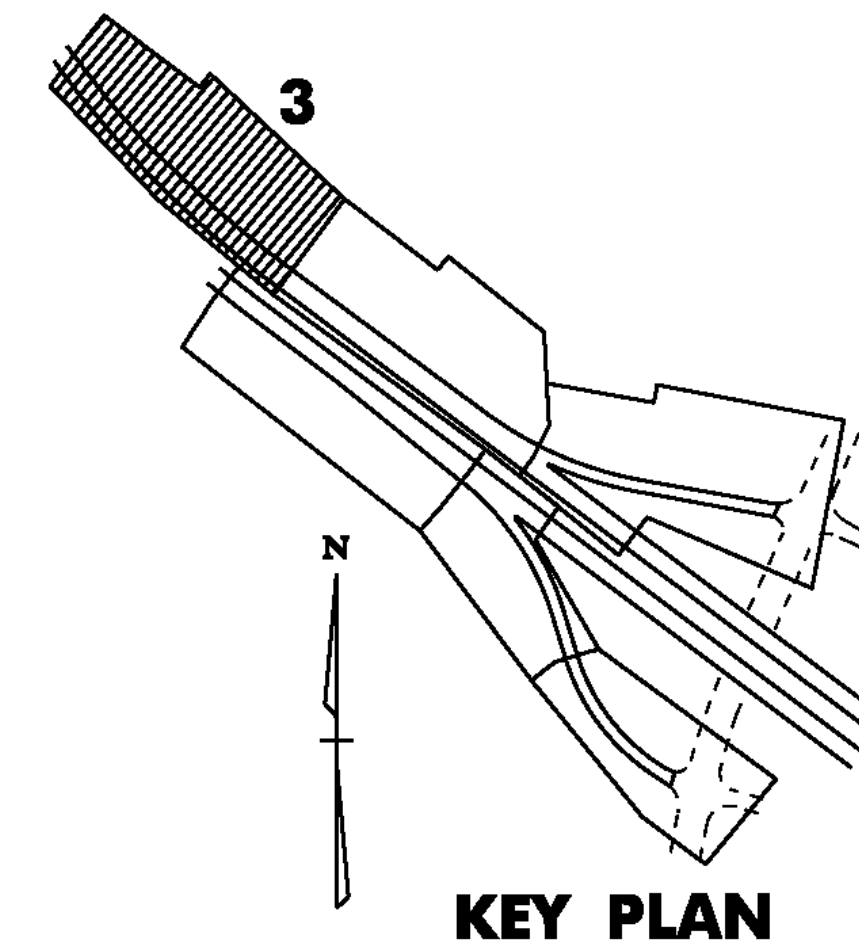


646.426 DURABLE 6 INCH WHITE LINE, RECESSED POLYUREA
 STA. D11+62 TO D16+84, SOLID RT (EDGE LINE)
 STA. D11+62 TO D16+84, DOTTED LT

646.622 TEMPORARY 6 INCH WHITE LINE, PAINT
 STA. D11+62 TO D16+84, SOLID RT (EDGE LINE)
 STA. D11+62 TO D16+84, DOTTED LT



UTILITY LEGEND	
	= EXISTING DI
	= EXISTING SIGN POST
	= EXISTING GUARDRAIL
	= EXISTING CULVERT

SIGN LEGEND	
N	= NEW
R	= REMOVE
R&S	= REMOVE & SALVAGE
S	= SALVAGE SIGN
RET	= RETAIN
B-B	= BACK TO BACK

NOT TO SCALE

INTERCHANGE 25 LAYOUT SHEET #3

NOTE: ALL EXISTING SIGNS NOT SHOWN SHALL BE RETAINED.

PROJECT NAME: BARTON-IRASBURG	PLOT DATE: 06-JUL-2011
PROJECT NUMBER: IM 091-3(48)	DRAWN BY: STANTEC
FILE NAME: p07a286.dgn	CHECKED BY: STANTEC
PROJECT LEADER: JLL	SHEET 18 OF 40
DESIGNED BY: STANTEC	
IPARM FILE: p07a286103.i	

