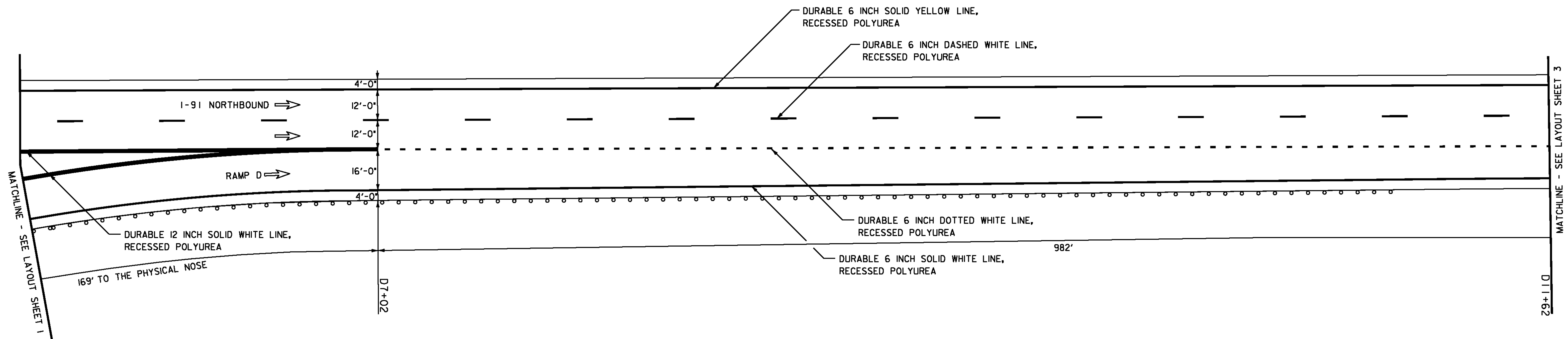
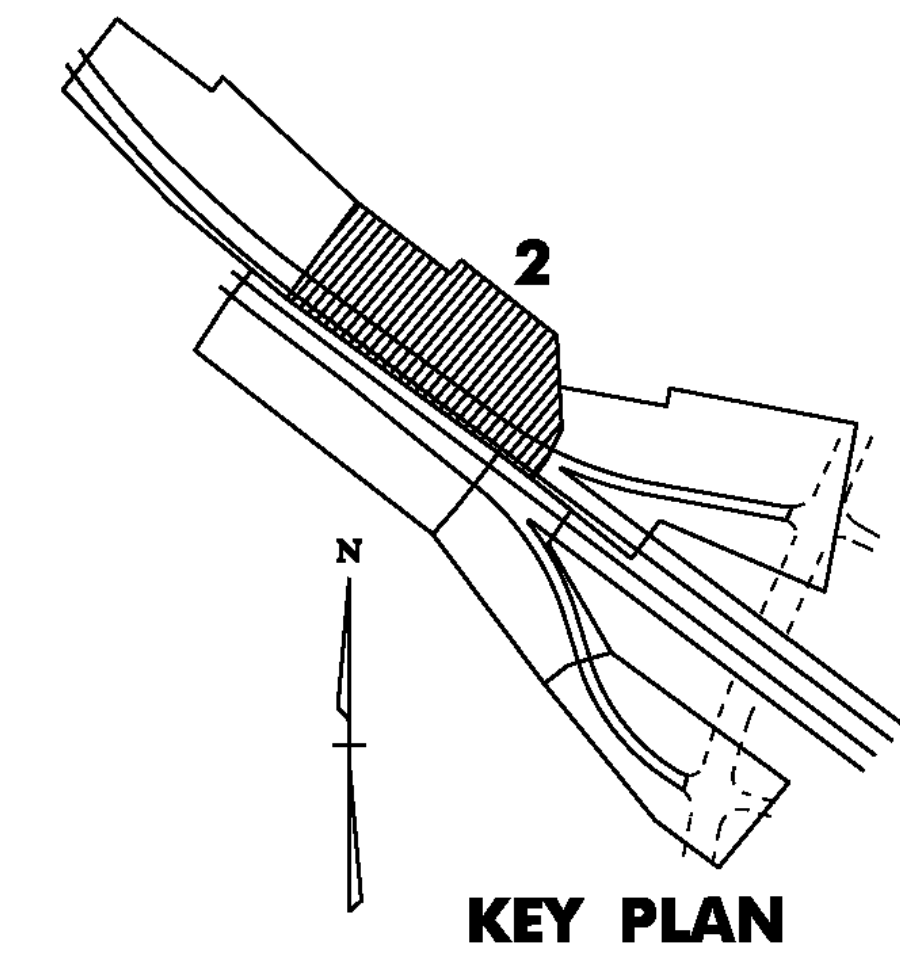


646.426 DURABLE 6 INCH WHITE LINE, RECESSED POLYUREA
 STA. D5+33 TO D11+62, SOLID RT (EDGE LINE)
 STA. D7+02 TO D11+62, DOTTED RT

646.466 DURABLE 12 INCH WHITE LINE, RECESSED POLYUREA
 RAMP D GORE - TO BE INSTALLED PER
 THE LATEST EDITION OF THE MUTCD
 STA D5+33 LT TO D7+02 LT

646.622 TEMPORARY 6 INCH WHITE LINE, PAINT
 STA. D5+33 TO D11+62, SOLID RT (EDGE LINE)
 STA. D7+02 TO D11+62, DOTTED RT

646.662 TEMPORARY 12 INCH WHITE LINE, PAINT
 RAMP D GORE - TO BE INSTALLED PER
 THE LATEST EDITION OF THE MUTCD
 STA D5+33 LT TO D7+02 LT



UTILITY LEGEND	
	= EXISTING DI
	= EXISTING SIGN POST
	= EXISTING GUARDRAIL
	= EXISTING CULVERT

SIGN LEGEND	
N	= NEW
R	= REMOVE
R&S	= REMOVE & SALVAGE
S	= SALVAGE SIGN
RET	= RETAIN
B-B	= BACK TO BACK

NOT TO SCALE

INTERCHANGE 25 LAYOUT SHEET #2

NOTE: ALL EXISTING SIGNS NOT SHOWN SHALL BE RETAINED.

PROJECT NAME: BARTON-IRASBURG
 PROJECT NUMBER: IM 091-3(48)

FILE NAME: p07a286.dgn
 PROJECT LEADER: JLL
 DESIGNED BY: STANTEC
 IPARM FILE: p07a286102.i

PLOT DATE: 06-JUL-2011
 DRAWN BY: STANTEC
 CHECKED BY: STANTEC
 SHEET 17 OF 40

